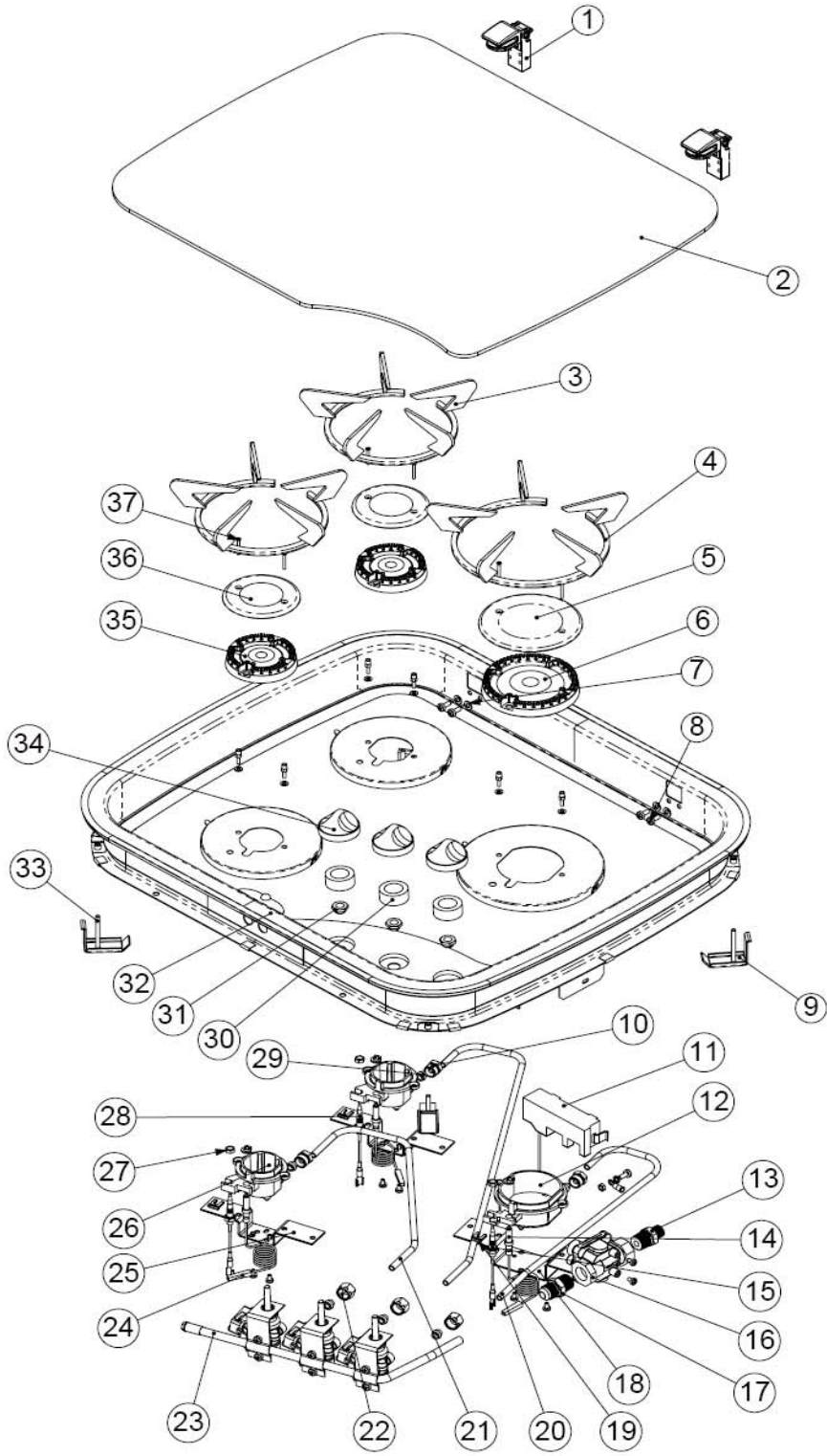


SHB16000 160 SERIES TOP LINE HOB - EXPLODED DRAWING (GENERIC)

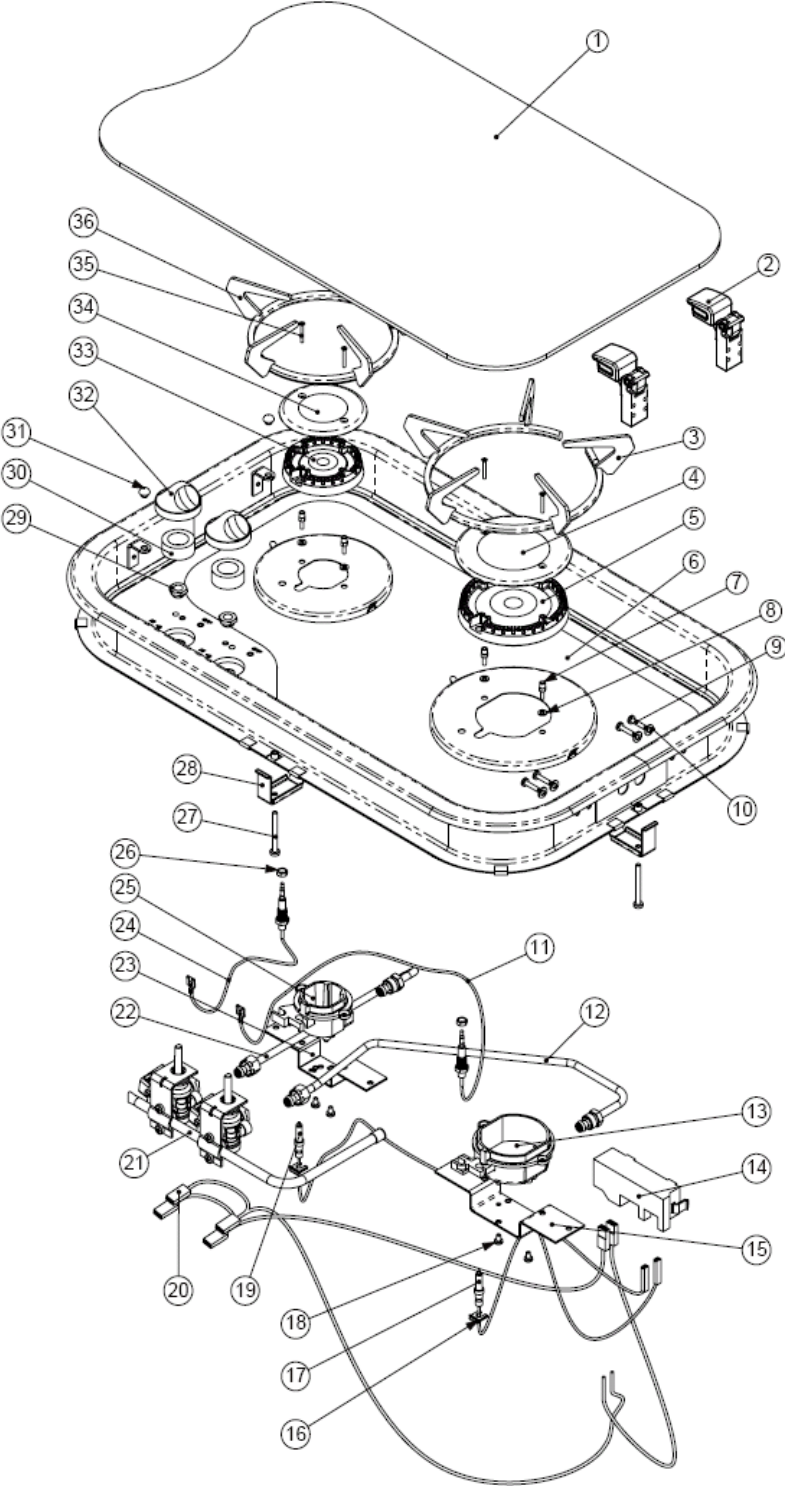


160 SERIES HOB

MODELS shb

	PART CODE	DESCRIPTION	16940	16945Y	16946Y	16950	16950Y	16951	16952	16953	16955	16956	16960	16961
1	SPCC2003.BK	Hinge, Glass lid, 2004 Style	x	x	x	x	x	x	x	x	x	x	x	x
2	SG908.BK	Glass Lid, Series 160 Top Line Hob, BK								x				
2	SG910.BK	Glass Lid, Series 160 Top Line Hob, BK		x		x	x	x	x		x	x	x	x
2	SG911.BK	Glass Lid, Series 160 Top Line Hob, Chinchilla BK	x											
2	SGL8020	Glass Lid Assy, BIFOLD 3Bnr Hob			x									
3	SPCC0699.EN	Support, Pan, individual Aux/Semi	x	x	x	x	x	x	x	x	x	x	x	x
4	SPCC0700.EN	Support, Pan, individual Rapid	x	x	x	x	x	x	x	x	x	x	x	x
5	SPCC0833	Burner Cap, Drilled, RPD	x	x	x	x	x	x	x	x	x	x	x	x
6	SPCC0831	Flame Spreader, SR2 Rapid	x	x	x	x	x	x	x	x	x	x	x	x
7	SPCX0178.BK	Washer, 2BA Fibre, Black	x	x	x	x	x	x	x	x	x	x	x	x
8	SPCX0135.BK	Screw, M4x10 Pozi P/H CBK	x	x	x	x	x	x	x	x	x	x	x	x
9	SMCC9304	Bracket, Bumper, Trim Top Line Hob	x	x	x	x	x	x	x	x	x	x	x	x
11	SPCC1393	Generator, Spark 12v	x	x	x	x	x	x	x	x			x	x
15	SPCC1130	Thermocouple, S2 Burner, Faston 250mm	x	x	x	x	x	x	x	x	x	x	x	x
16	SPCC1850	Mini Gas Regulator, 25-35Mbar, Maxitrol		x	x		x							
19	SPCC1498	Clip, Fixing, Electrode	x	x	x	x	x	x	x	x			x	x
23	SMAC1230	Tap/Manifold Assy, 160 Series Hob 0:2:1:BF1	x	Y	Y	x	Y	x	x	x			x	x
23	SMAC1231	Tap/Manifold Assy, 160 Series Hob 0:2:1:BF									x	x		
	◆ SPCC0733	Tap Burn (0.34) FFD/8mm (x2)	x	x	x	x	x	x	x	x			x	x
	◆ SPCC0734	Tap Grill (0.45) FFD/8mm		x	x	x	x	x	x	x			x	x
	◆ SPCC0738	Tap Burn (0.34) FFD/8mm (x2)									x	x		
	◆ SPCC0739	Tap Grill (0.45) FFD/8mm									x	x		
24	SPCC1453	Electrode, Spark 300mm	x	x	x	x	x	x	x	x			x	x
27	SPCX0163	Locknut, M6 Brass Coarse Thread	x	x	x	x	x	x	x	x	x	x	x	x
28	SPCC1132	Thermocouple, S2 Burner, Faston 450mm	x	x	x	x	x	x	x	x	x	x	x	x
32	SMAO1971.BK/SS	Assy, Hobtop, Top Line, 2:1BI BK/SS BK Trim		x	x	x	x	x	x	x	x	x		
32	SMAO1972.BK/SS	Assy, Hobtop, Top Line, 2:1BI BK/SS GBK Trim	x											
32	SMAO1980.BK/SS	Assy, Hobtop, Top Line, 2:1BI, BK/SS BS Trim											x	x
33	SPCX0121	Screw, M4x40 Pan Pozi BZP	x	x	x	x	x	x	x	x	x	x	x	x
34	SPCC0619.BK	Knob, control 2020 BK LAM		x	x	x	x	x	x	x	x	x	x	x
34	SPCC0618.CR	Knob, Hob/Grill skirt/lever Chrome	x											
35	SPCC0811	Flame Spreader, SR2	x	x	x	x	x	x	x	x	x	x	x	x
36	SPCC0813	Burner Cap, Drilled	x	x	x	x	x	x	x	x	x	x	x	x
37	SPCC0815	Screw, Fixed Burner Cap	x	x	x	x	x	x	x	x	x	x	x	x
	SPCX0339	Washer, 4BA, Red Fibre	x	x	x	x	x	x	x	x	x	x	x	x
	SPCC0814	Stud, Fixed burner cup	x	x	x	x	x	x	x	x	x	x	x	x
	SPCC1499	Gasket, Electrode	x	x	x	x	x	x	x	x			x	x
	SPCX0391	Bump Stop, push fit, 09.5x7.8x06.15	x	x	x	x	x	x	x	x	x	x	x	x
	SPCC1002	Sealing Tape, 10x6mm, SA, BK												
	SPCC1220	Bezel, cut & join, 1766mm, Surf mount		x	x			x		x		x		x
	SPCC1225	Bezel, cut & join, 1780mm, Flush fit				x	x		x		x		x	
	SPCC1203	Bezel, inset/Lip, 1900mm, Hob BK	x											
	SPCC1455	Electrode, Spark 600mm	x	x	x	x	x	x	x	x			x	x

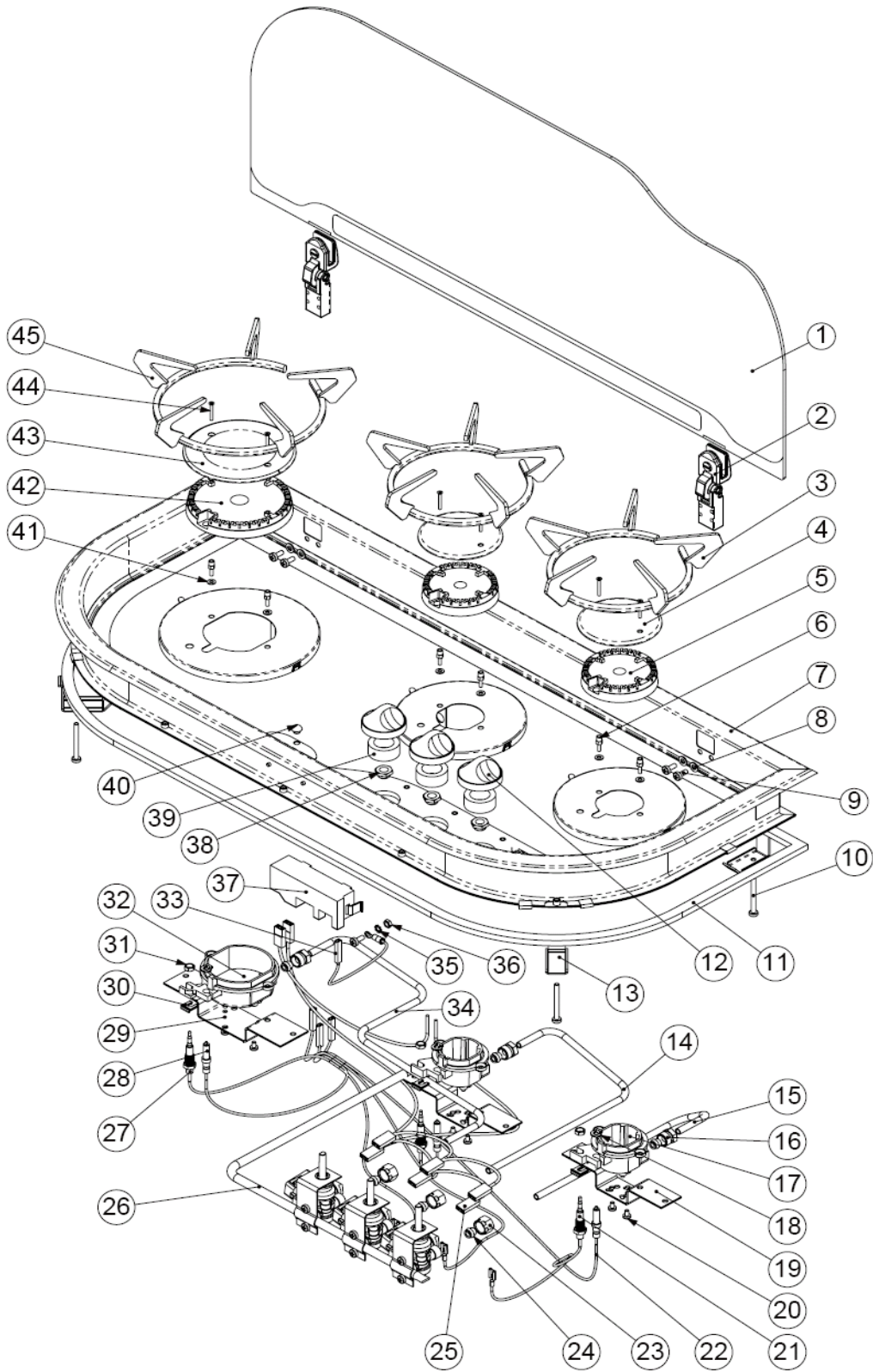
165 Series Hob - Exploded Drawing



165 Series Parts List

DRW No.	PART CODE	DESCRIPTION
1	SG925.BK	Glass Lid, series 165 Hob, BK
2	SPCC2003.BK	Hinge, glass lid 2004 style
3	SPCC0700.EN	Support, Pan, Individual - rapid
4	SPCC0833	Burner Cap, SR, Rapid
5	SPCC0831	Flamespreader, SR, Rapid
6	SMAO1985.BK/SS	Assy, hobtop, Series 165
7	SPCC0814	Stud, fixing, burner cup
8	SPCX0339	Washer, 4bs red fibre
9	SPCX0101.BK	Screw (for lid hinge)
10	SPCX0178.BK	Washer, 2ba black fibre (for lid hinge screw)
11	SPCC1132	Thermocouple, 450mm
14	SPCC1392	Generator, Spark, 12v
16	SPCC1498	Clip, fixing, electrode
17	SPCC1453	Electrode, spark 300mm
19	SPCC1455	Electrode, spark 600mm
20	SPWK0018	Wire Kit, 12v, ignition
21	SMAC1233	Tap/Manifold Assy
	◆ SPCC0733	Tap, Burn (0.34) semi burner
	◆ SPCC0734	Tap, Grill (0.45) rapid burner
24	SPCC1130	Thermocouple, 250mm
26	SPCX0163	Locknut, M6 brass coarse thread
27	SPCX0121	Screw, M4x40 Pan Pozi
28	SMCC9305	Bracket, worktop, fixing, top line hob
30	SPCX0346	S/A EDPM Sponge washer
31	SPCX0391	Bump Stop, push fit
32	SPCC0619.BK	Knob, control BK LAM
33	SPCC0811	Flamespreader, SR, Semi
34	SPCC0813	Burner Cap, SR, Semi
35	SPCC0815	Screw, fixing, burner cap
36	SPCC0699.EN	Support, Pan, Individual - aux/semi
	SMAC9310.BK	Surround trim, series 165 vertical hob
	SPCC1499	Gasket, electrode
	SPCC1272	Instructions, user, topline hobs, Multi

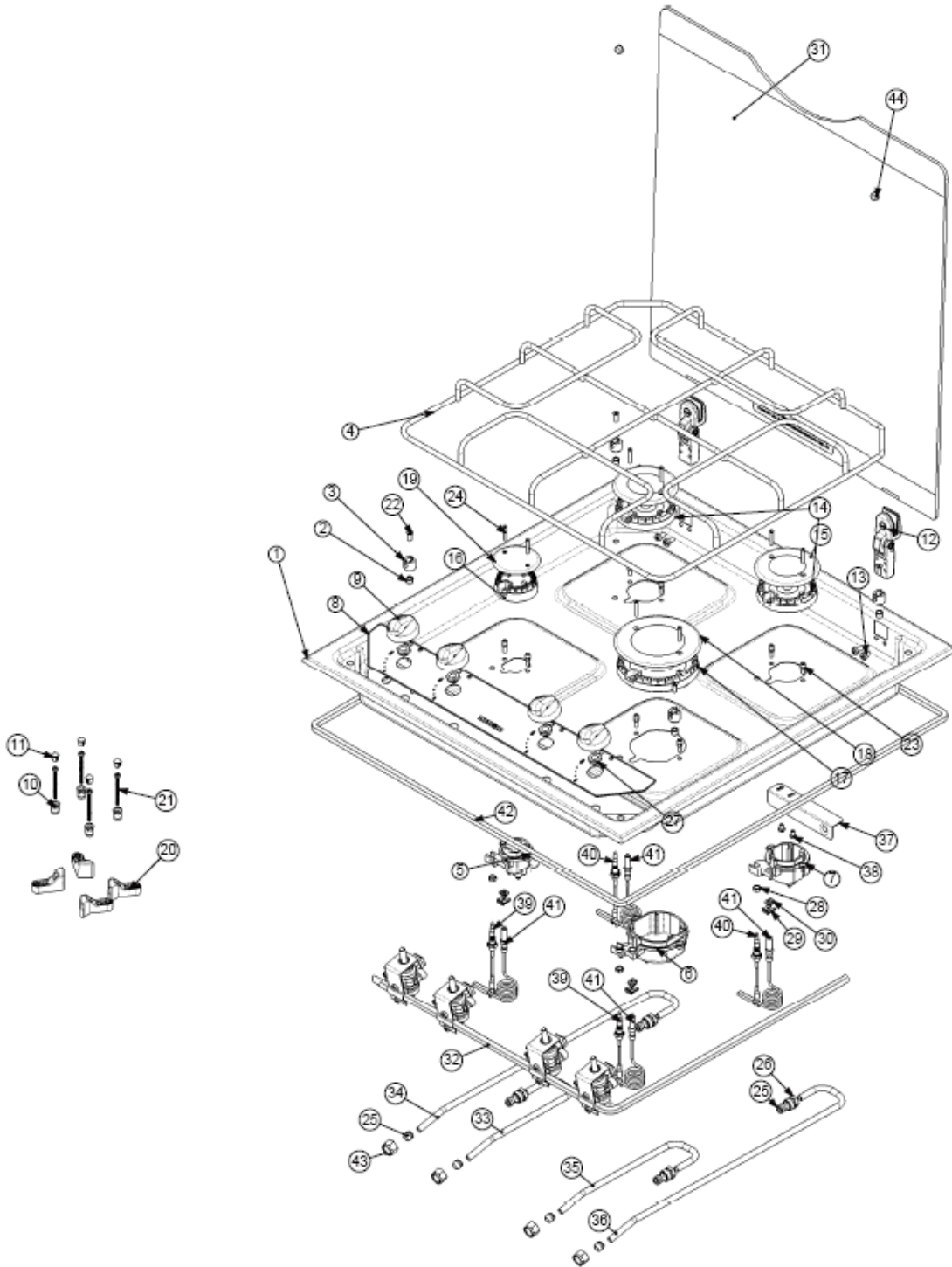
SHB16860 SERIES 168 HOB - EXPLODED DRAWING



SHB16860 SERIES 160 HOB

DRW No.	PART CODE	DESCRIPTION	PRICE £
1	SG920.BK	Glass Lid, Series 168 'D' Shaped Hob BK	
2	SPCC2003.BK	Hinge, Glass lid, 2004 Style	
3	SPCC0697.EN	Support, Pan, individual Aux/Semi	
4	SPCC0813	Burner Cap, Drilled	
5	SPCC0811	Flame Spreader, SR2	
6	SPCC0814	Stud, Fixed burner cup	
7	SMAO2300.BK/SS	Assy, Hobtop, S168 1:2BI, BK/SS SBS Trim	
8	SPCX0178.BK	Washer, 2BA Fibre, Black	
9	SPCX0135.BK	Screw, M4x10 Pozzi P/H CBK	
10	SPCX1021	Screw, M4x40 Pozzi Panhead, CBK	
11	SPCC1002	Sealing Tape, 10x6mm, SA, BK	
12	SPCC0619.BK	Knob, control 2020 BK LAM	
13	SMCC9305	Bracket, worktop Clamp, TL Hobs	
18	SPCC1499	Gasket, Electrode	
21	SPCC1130	Thermocouple, S2 Burner, Faston 250mm	
22	SPCC1455	Electrode, Spark 600mm	
26	SMAO1250	Tap/Manifold Assy, 168 Series Hob 0:2BFI	
	◆ SPCC0733	Tap Burn (0.34) FFD/8mm	
	◆ SPCC0734	Tap Grill (0.45) FFD/8mm	
27	SPCC1132	Thermocouple, S2 Burner, Faston 450mm	
28	SPCC1453	Electrode, Spark 300mm	
30	SPCC1498	Clip, Fixing, Electrode	
31	SPCX0163	Locknut, M6 Brass Coarse Thread	
37	SPCC1393	Generator, Spark 12v	
40	SPCX0391	Bump Stop, push fit, 09.5x7.8x06.15	
41	SPCX0339	Washer, 4BA, Red Fibre	
42	SPCC0831	Flame Spreader, SR2 Rapid	
43	SPCC0833	Burner Cap, Drilled, RPD	
44	SPCC0815	Screw, Fixed Burner Cap	
45	SPCC0698.EN	Support, Pan, individual Rapid	

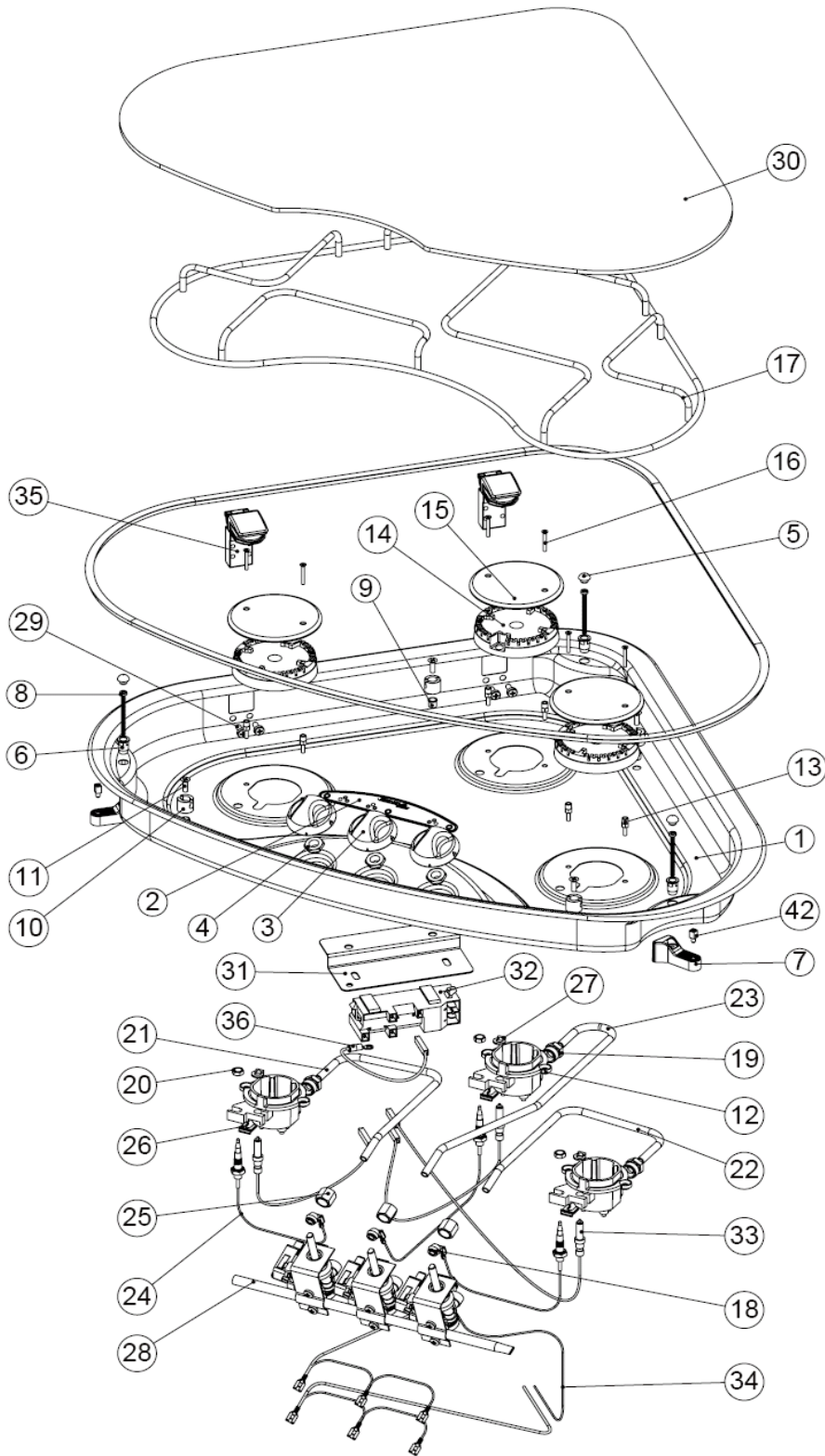
LINEAR HOB (SHB17000) EXPLODED DRAWING



LINEAR HOB PARTS LIST

DRW No	PART CODE	DESCRIPTION	MODELS		
			17410	17420	17450
1	SMCP8000.S	Pressing, Linear Hob, 1:2:1BFI, Lid, BS	x	x	x
3	SPCC0647	Clip, Pan Support PTFE top fix	x	x	x
4	SPCC0679.EN	Pan Support	x	x	x
8	SPCC1570	Fascia, polycarbom 125mic, BK/SLV, 4B	x	x	x
9	SPCC0599.BK	Knob, Control, Teardrop, BK	x	x	x
10	SPCX0415	Bush, snap fit, CR Clamp System, BK	x	x	x
11	SPCX0350	Plug, Dome, DIA 7.9x1.6mm Head	x	x	x
12	SPCC2003.BK	Hinge, Glass Lid, 2004 style	x	x	x
14	SPCC0811	Flamespreader, SAB S2, SR, Camper, Skirtless	x	x	x
15	SPCC0813	Burner Cap, SAB S2, SR, Camper	x	x	x
16	SPCC0827	Flamespreader, SAB S2, Aux, Camper, Skirtless	x	x	x
17	SPCC0831	Flamepsreader, SAB S2, Rapid, Camper, Skirtless	x	x	x
18	SPCC0833	Burner Cap, SAB S2, Rapid, Camper	x	x	x
19	SPCC0825	Burner Cap, SAB S2, Aux, Camper	x	x	x
20	SPCX0416	Clamping Arm, CR Clamp System, BK	x	x	x
21	SPCX0116S	Screw, M3x40 Pozi Pan M/Screw	x	x	x
22	SPCX0119.BK	Screw, M4x12 Pozi CSK MS CBK (for pan support clip)	x	x	x
23	SPCC0814	Stud, fixing, burner cup	x	x	x
24	SPCC0815	Screw, fixing, burner cap	x	x	x
28	SPCX0163	Locknut, M6 Brass coarse thread (for thermocouples)	x	x	x
29	SPCC1498	Clip, fixing, electrode	x	x	x
30	SPCC1499	Gasket, electrode	x	x	x
31	SG970.BK	Glass Lid, BK/GR	x		x
31	SG971.BK	Glass Lid, BK/GR smaller version		x	
32	SMAC7500	Tap/Manifold Assy, 4BGF/8mm	x	x	
	♦ SPCC0723	Tap Burn (0.34) FFD/8mm short	x	x	
	♦ SPCC0724	Tap Grill (0.45) FFD/8mm short	x	x	
32	SMAC7510	Tap/Manifold Assy, 4BF/8mm, IGN,			x
	♦ SPCC0713	Tap, burner (0.34) FFD/8mm TC MSW short			x
	♦ SPCC0733	Tap, Burn (0.34) FFD/8mm TC MSW 0015/1			x
	♦ SPCC0714	Tap, Burn (0.45) FFD/8mm TC MSW short			x
	♦ SPCC0734	Tap, Grill (0.45) FFD/8mm TC MSW 0015/1			x
39	SPCC1130	Thermocouple, S2 Burner, faston, 250mm	x	x	x
40	SPCC1132	Thermocouple, S2 Burner, faston, 450mm	x	x	x
41	SPCC1456	Electrode, Spark 1200mm S2 SAB	x	x	
41	SPCC1453	Electrode, Spark 300mm S2 SAB			x
42	SPCC1219	Seal, Black Foam, 6mmx6mmx10m lg, self adhesive	x	x	x
	SPCC1393	Generator, Spark 12v			x

TRIANGULAR HOB EXPLODED DRAWING (GENERIC)

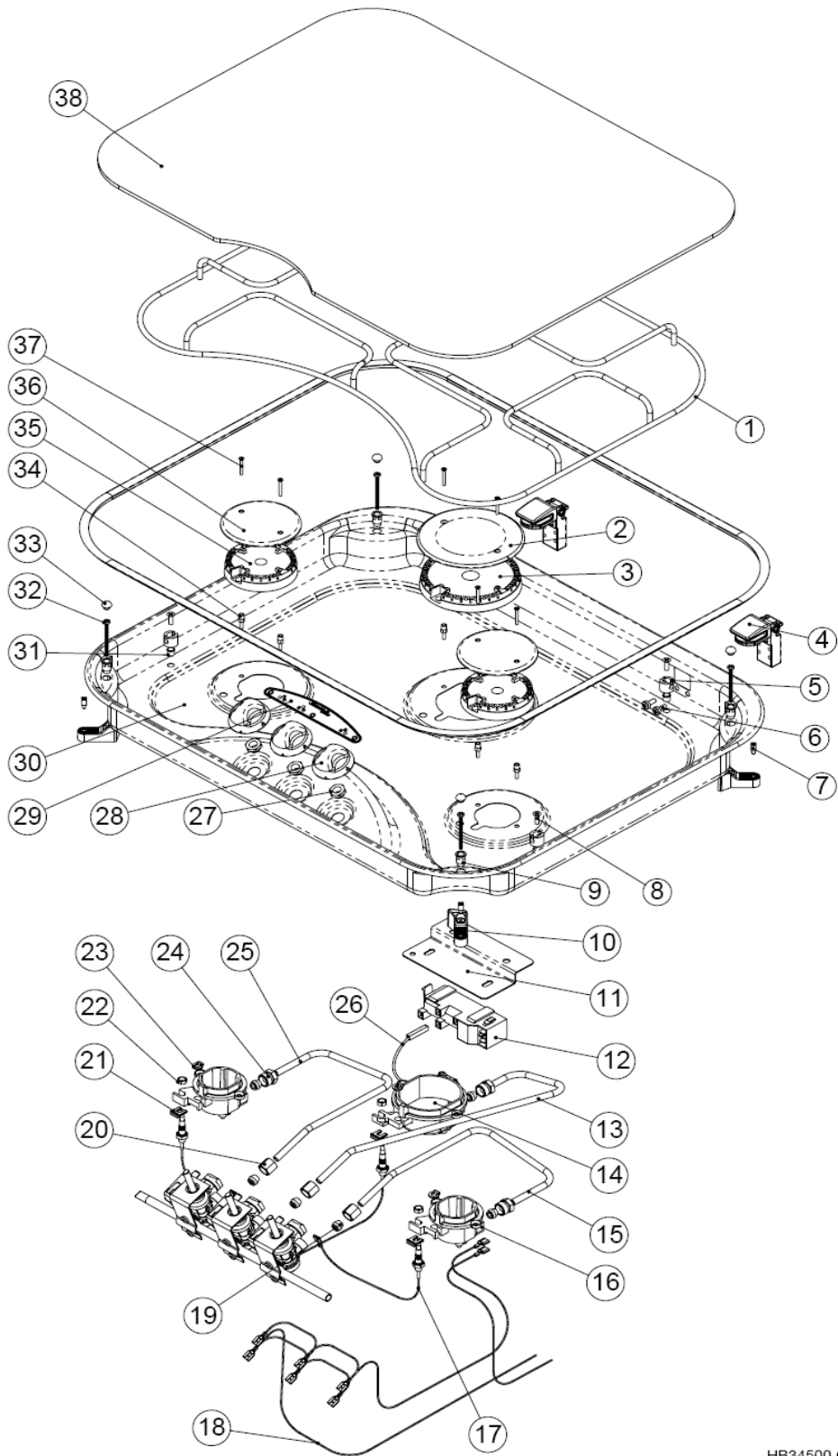


TRIANGULAR CONTINENTAL HOB

MODELS

DRW No.	PARTS CODE	DESCRIPTION	SHB33000	SHB33001	SHB33004	SHB33005	SHB33010	SHB33011	SHB33050	SHB33051	SHB33052	SHB33055	SHB33060	SHB33061
1	SMCP7100	Pressing, Tri CR Hob, 3BFI, L/H, Lid, No DH, BS	x		x		x		x		x			
1	SMCP7101	Pressing, Tri CR Hob, 3BFI, R/H, Lid, No DH, BS		x		x		x		x		x		
1	SMCP7102	Pressing, Tri CR Hob, 3BFI, L/H, Lid, DH, BS											x	
1	SMCP7103	Pressing, Tri CR Hob, 3BFI, R/H, Lid, DH, BS												x
2	SPCC1500	Fascia, polycarb, 125, 3B CR HOBS	x	x	x	x	x	x	x	x	x	x	x	x
3	SPCC0609.BK	Knob, control, continental, Black	x	x	x	x	x	x	x	x	x		x	x
3	SPCC0602.MNK	Knob, Hob/Grill, Teardrop, Matt Nickel										x		
5	SPCX0391	Bump Stop, push-fit, Glass lid	x	x	x	x	x	x	x	x	x	x	x	x
6	SPCX0417	Spacing plug, push-fit, CR Clamp system, Black	x	x	x	x	x	x	x	x	x	x	x	x
7	SPCX0416	Clamping arm, CR Clamp system, Black	x	x	x	x	x	x	x	x	x	x	x	x
8	SPCX0116S	Screw, M3x40 Pozi Pan	x	x	x	x	x	x	x	x	x	x	x	x
10	SPCC0647	Clip, Pan Support PTFE Top Fix	x	x	x	x	x	x	x	x	x	x	x	x
11	SPCX0119	Screw, M4x12 Pozi CSK BZP	x	x	x	x	x	x	x	x	x	x	x	x
13	SPCC0814	Stud, Fixed burner cup	x	x	x	x	x	x	x	x	x	x	x	x
14	SPCC0811	Flame Spreader, SR2, D1408/3	x	x	x	x	x	x	x	x	x	x	x	x
15	SPCC0813	Burner Cap, drilled, 0881/3.1	x	x	x	x	x	x	x	x	x	x	x	x
16	SPCC0815	Screw, fixed bnr cap, 0371	x	x	x	x	x	x	x	x	x	x	x	x
17	SPCC0693	Support, Pan, CR Hob TR 3B, Chrome	x	x	x	x	x	x	x	x	x	x	x	x
20	SPCX0163	Locknut, M6 brass coarse thread	x	x	x	x	x	x	x	x	x	x	x	x
24	SPCC1130	Thermocouple, S2 Burner, Faston, 250mm	x	x	x	x	x	x	x	x	x	x	x	x
26	SPCC1498	Clip, Electrode, fixing							x	x	x	x	x	x
27	SPCC1499	Gasket, electrode							x	x	x	x	x	x
28	SMAC7360	Tap/Manifold Assy, L/H, Continental range	x		x		x							
28	SMAC7361	Tap/Manifold Assy, R/H, Continental range		x		x		x						
28	SMAC7370	Tap/Manifold Assy, 3BF/8mm, Ign, CFT, L/H							x		x		x	
28	SMAC7371	Tap/Manifold Assy, 3BF/8mm, Ign, CFT, R/H								x				x
28	SPCC0738	Tap, burner (0.34) FFD/8mm	x	x	x	x	x	x						
28	SPCC0733	Tap, burner (0.34) FFD/8mm							x	x	x	x	x	x
30	SG940.BK	Glass Lid, CC TRI HOB, L/H - CHQ Black	x						x		x		x	
30	SG942.BK	Glass Lid, CC TRI HOB, R/H - CHQ Black		x						x		x		x
30	SG944.BK	Glass Lid, CC TRI HOB, L/H - Black			x									
30	SG946.BK	Glass Lid, CC TRI HOB, R/H - Black				x								
30	SG941.BK	Glass Lid, CC TRI HOB, L/H - Stripe Black					x							
30	SG943.BK	Glass Lid, CC TRI HOB, R/H - Stripe Black						x						
32	SPCC1393	Generator, Spark, 12v UBZ4							x	x	x	x	x	x
33	SPCC1453	Electrode, Spark, 300mm S2 SAB							x	x	x	x	x	x
35	SPCC2003.BK	Hinge, glass lid 2004 style	x	x	x	x	x	x	x	x	x	x	x	x
42	SPCX0415	Bush, snap-fit, CR Clamp system, Black	x	x	x	x	x	x	x	x	x	x	x	x
	SPCC1210	Bezel, Black, Self-adhesive, silicone rubber C.R.	x	x						x		x		
	SPCC1223	Bezel, cut & join, 1523mm, surf mount			x	x	x	x	x				x	x
	SPCC1227	Bezel, cut & join, 1550mm, flush-fit, Black									x			

RECTANGULAR 3BNR HOB SHB34000 - EXPLODED DRAWING (GENERIC)

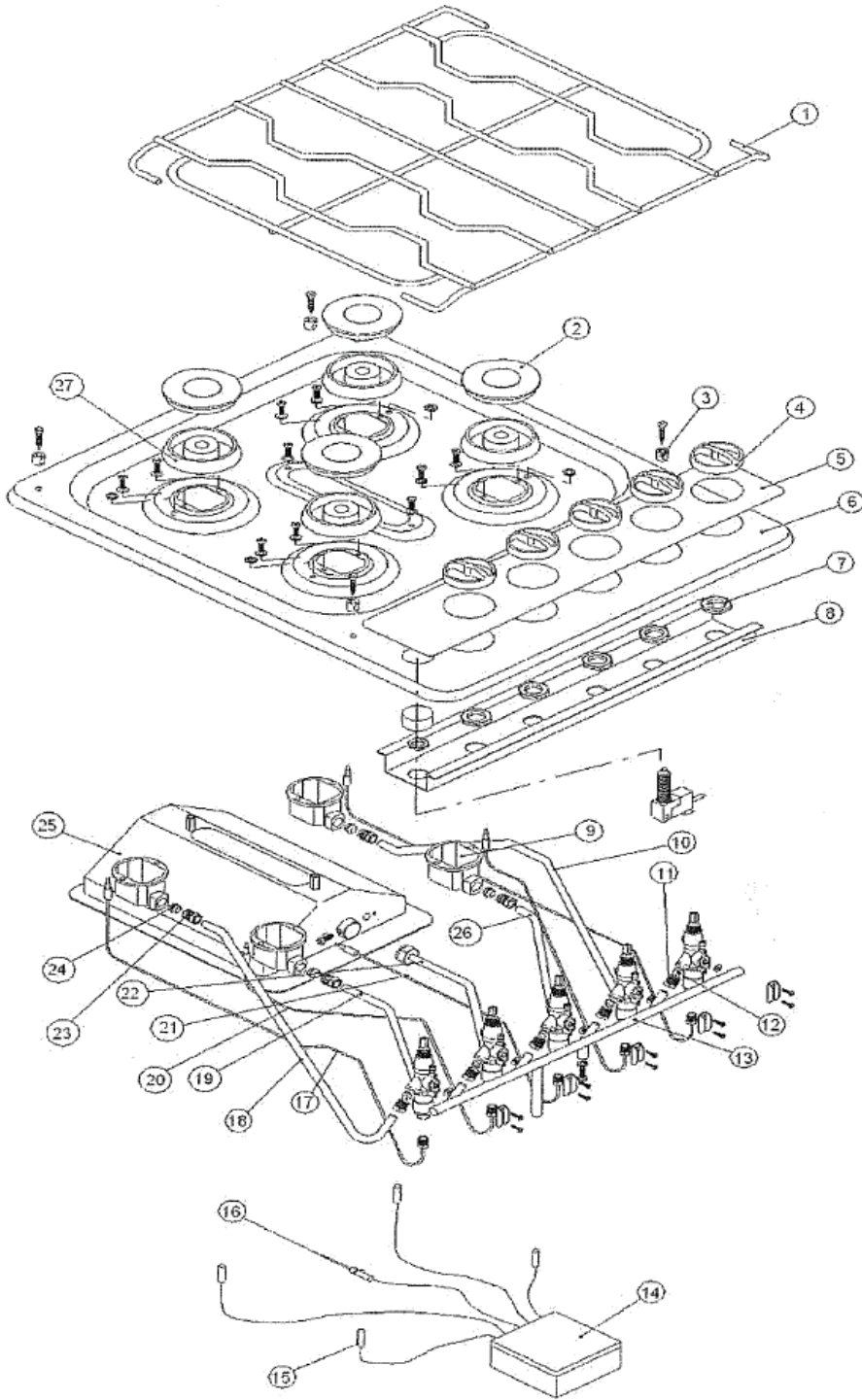


RECTANGULAR 3 BNR HOB - SHB34000

MODELS

DRW No.	PART CODE	DESCRIPTION	34010	34500	34550	34555
1	SPCC0691	Support, Pan, CR Hob, Rect 3b chrome	X	X	X	X
2	SPCC0833	Burner Cap, Drilled, SR2, Rapid		X	X	X
3	SPCC0831	Flame Spreader, SR2, Rapid		X	X	X
4	SPCC2003.BK	Hinge, Glass Lid 2004 Style	X	X	X	X
5	SPCC0647	Clip, Pan Support PTFE Top Fix	X	X	X	X
7	SPCX0415	Bush, Snap-fit, CR Clamp System BK	X	X	X	X
9	SPCX0417	Spacing Plug, push-fit, CR Clamp System BK	X	X	X	X
10	SPCX0416	Clamping Arm, CR Clamp System BK	X	X	X	X
12	SPCC1393	Generator, Spark 12v			X	X
17	SPCC1130	Thermocouple, S2 Bnr, Faston, 250mm	X	X	X	X
21	SPCC1498	Clip, Fixing, Electrode			X	X
22	SPCX0163	Locknut, M6 Brass Coarse Thread	X	X	X	X
23	SPCC1499	Gasket, Electrode			X	X
28	SPCC0609.BK	Knob, control, continental black	X	X	X	X
29	SPCC1500	Fascia, Polycarb, 125mic, BK/SVS	X	X	X	X
30	SMCP7000	Press, Rect CR Hob, 2:1BFI, Lid, No DH, BS		X	X	X
30	SMCP7010	Press, Rect CR Hob, 3:0BFI, Lid, No DH, BS	X			
32	SPCX0116S	Screw, M3x40 Pozi Pan M/Screw	X	X	X	X
33	SPCX0391	Bump Stop, push-fit	X	X	X	X
34	SPCC0814	Stud, Fixed Burner Cap	X	X	X	X
35	SPCC0811	Flame Spreader, SR2	X	X	X	X
36	SPCC0813	Burner Cap, Drilled, SR2	X	X	X	X
37	SPCC0815	Screw, Fixed bnr Cap	X	X	X	X
38	SG930.BK	Glass Lid, CR Rect Hob - CHQ BK	X	X	X	
38	SG934.BK	Glass Lid, CR Rect Hob - Solid BK				X
	SMAC7364	Tap/Man. Assy, 3BF/8mm, CFT	X			
	SMAC7365	Tap/Man. Assy, 3BF/8mm, CFT, Rapid		X		
	SMAC7375	Tap/Man. Assy, 3BF/8mm, Ign, CFT, Rapid			X	X
	♦ SPCC0733	Tap Burn (0.34) FFD/8mm TC MSW 0015/1			X	X
	♦ SPCC0734	Tap Grill (0.45) FFD/8mm TC MSW 0015/1			X	X
	♦ SPCC0738	Tap Burn (0.34) FFD/8mm TC 9141/1	X	X		
	♦ SPCC0739	Tap Grill (0.45) FFD/8mm TC 9141/1		X		
	SPCC1210	Bezel, Black, self adhesive, silicone rubber				X
	SPCC1220	Bezel, cut & join, 1766mm, surf. Mount	X	X	X	
	SPCC1453	Electrode, Spark 300mm			X	X
	SPCC1455	Electrode, Spark 600mm			X	X

8 SERIES HOB - H854f - EXPLODED DRAWING (GENERIC)

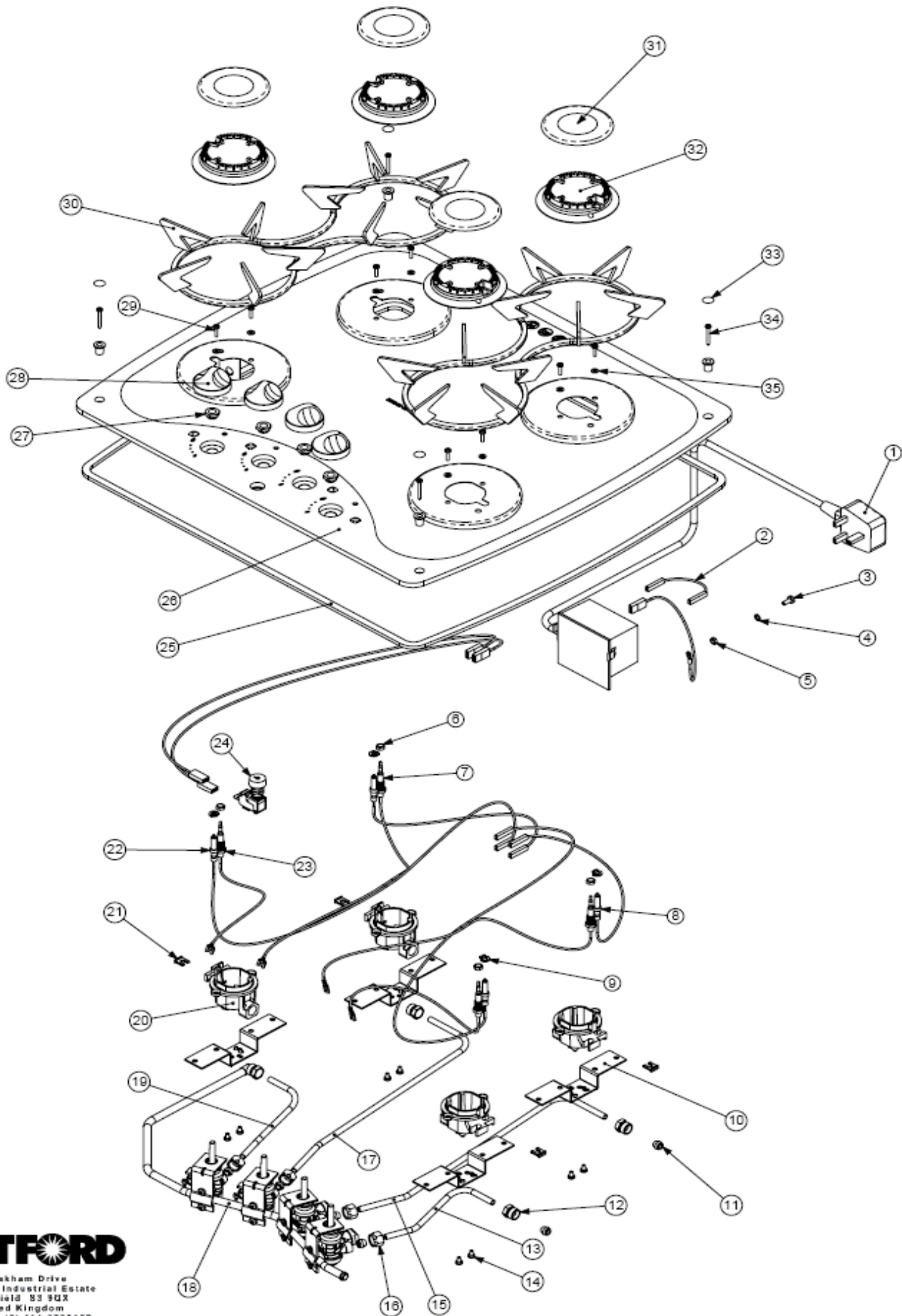


8 SERIES HOB - H854f

MODELS

DRW No	PART CODE	DESCRIPTION	84526	84660	84662	84665	84860Z	84960Z
1	SPCC0633	Support, Pan 8 Series	x	x	x	x	x	x
2	SPCC0806	Burner Crown & Cap	x	x	x	x	x	x
3	SPCC0647	Clip, pan support PTFE Top Fix	x	x	x	x	x	x
4	SPCC0612	Knob, control 854f recessed BR						x
4	SPCC0622	Knob, control 854f recessed BR	x	x	x	x	x	
5	SPCC1660	Fascia, 4B H756/854/400 Grey	x					x
5	SPCC1701	Fascia, 4BG H756/854 Beige RH			x	x		
5	SPCC1703	Fascia, 4BG H756/854 Grey		x			x	
6	SMCP1435.S	Press, HB8 500x400 4BGFI SS TFR		x			x	
6	SMCP1436.BE	Press, HB8 500x400 4BGFI BE TFR			x	x		
6	SMCP1445.WH	*Inactive* Press, HB8 500x400 4BGFI WH TF	x					
6	SMCP1445.S	Press, HB8 500x400 4BGFI SS TF						x
13	SMAC0511	*Inactive* Tap/Man Assy (LP/7) 4B R/H	x					
	◆ SPCC0706	Tap, Low Prof, Burn 4532/1 0.29	x					
13	SMAC5407	Tap/Man Assy, 4BF H400F RH Sab						x
	◆ SPCC0738	Tap, burn (0.34) FFD/8mm TC 9141/1						x
13	SMAC7410	Tap/Man Assy H756/8mm 4BGF C/I		x	x	x	x	
	◆ SPCC0708	Tap Burn FFD/8mm 5475/1 0.34		x	x	x	x	
	◆ SPCC0709	Tap Grill FFD/8mm 5475/1 0.45		x	x	x	x	
17	SPCC1142	Thermocouple, SI Burner, Faston, 450mm						x
17	SPCC1166	Thermocouple, 600mm M6		x	x	x	x	
21	SPCC1154	Thermocouple, 320mm M6 Fast, Grill		x	x	x	x	
25	SMAC0052	Grill Assy, 2005, Hood Brazed		x	x	x	x	
27	SPCC0807	Burner Support 1139/3	x	x	x	x	x	x
	SMAC0064	Grill Pan Assy - Larger Detach		x	x	x	x	
	SPCC1186	Handle, Detachable, Grill Pan		x	x	x	x	
	SPCC1190	Trivet, Grill Pan		x	x	x	x	
	SMCC1115	Spacer, Grill Assy		x	x	x	x	
	SPCC0775	Jet, No62 (grill)		x	x	x	x	
	SPCC1157	Thermocouple, 320mm M8 T4-20		x	x	x	x	

SHB94952 - 9 SERIES EXPLODED DRAWING

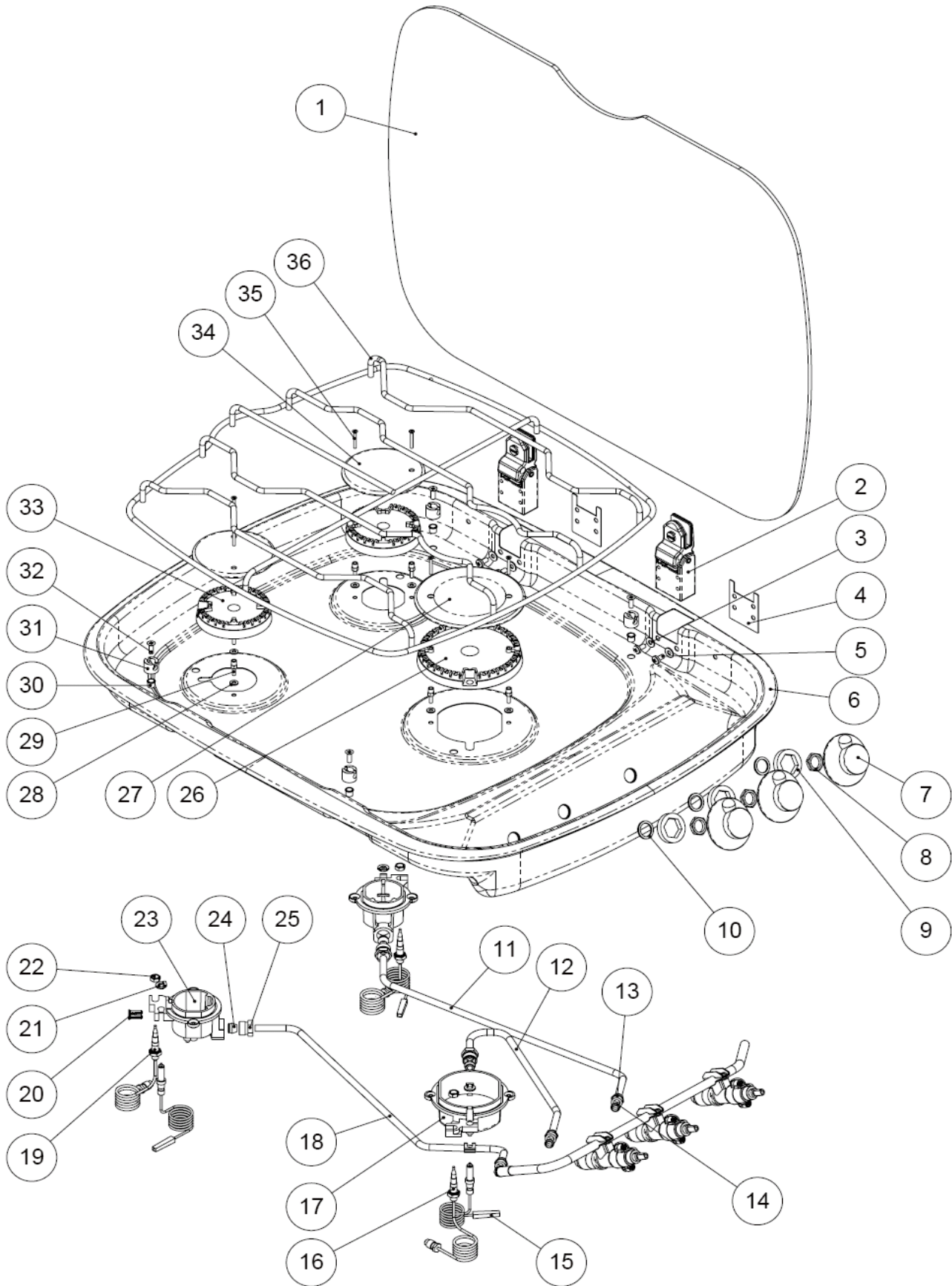


THETFORD

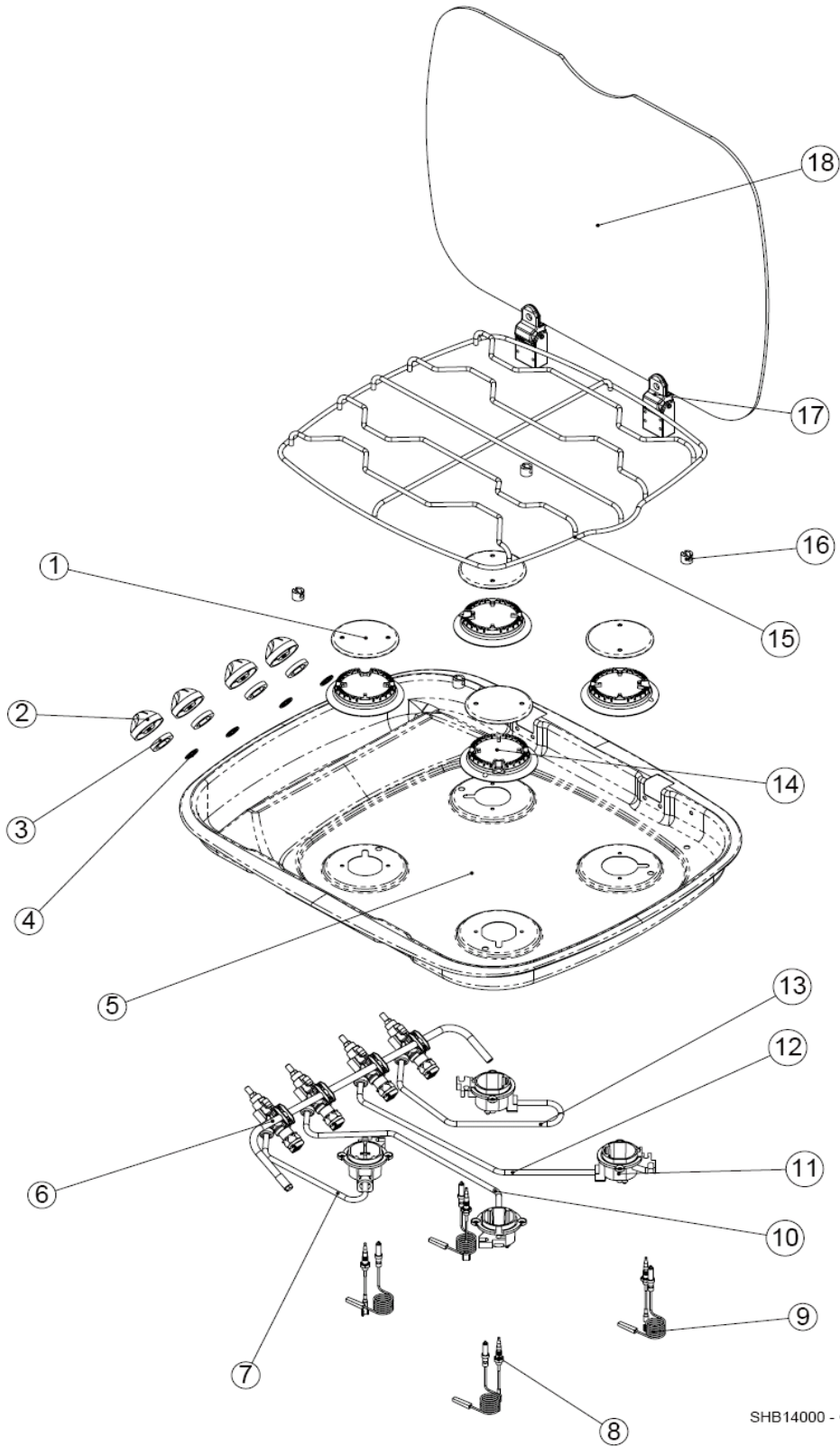
15 Oakham Drive
Parkwood Industrial Estate
Sheffield S3 9DX
United Kingdom
Tel - +44 (0) 114 2738157
Fax - +44 (0) 114 2753094

DRW No.	PART CODE	DESCRIPTION
1	SPCC1391	Generator, SI 230v
6	SPCX0163	Locknut, M6 brass coarse thread
7	SPCC1130	Thermocouple 450mm faston
8	SPCC1453	Electrode, Spark 300mm
9	SPCC1499	Gasket, electrode
18	SMAC9422	Tap/Mainfold Assembly
	♦ SPCC0738	Tap Burn (0.34) ffd/8mm
20	SPCC0797	Burner Cup injector (0.62 Euro 1.5kw)
21	SPCC1498	Clip, fixing, electrode
22	SPCC1455	Electrode, Spark 600mm
23	SPCC1132	Thermocouple 250mm faston
24	SPCC1420	Switch, micro with button, ignition
25	SPCC1000	Sealing Tape, 10x4mmx2.1m
26	SMAO1926.BK/SS	Assy, hobtop 9 Series 4BI
28	SPCC0619.BK	Knob, Control BK LAM
29	SPCX0211	Screw, M3x12
30	SPCC0686.EN	Support, Pan fig.8
31	SPCC0803	Burner Cap
32	SPCC0802	Flamespreader, skirt
33	SPCX0423	Bush & Plug, top fixing
34	SPCX0134	Screw, No4x25mm
35	SPCX0339	Washer, 4BA Red Fibre
	SPCC1270	Instructions, User

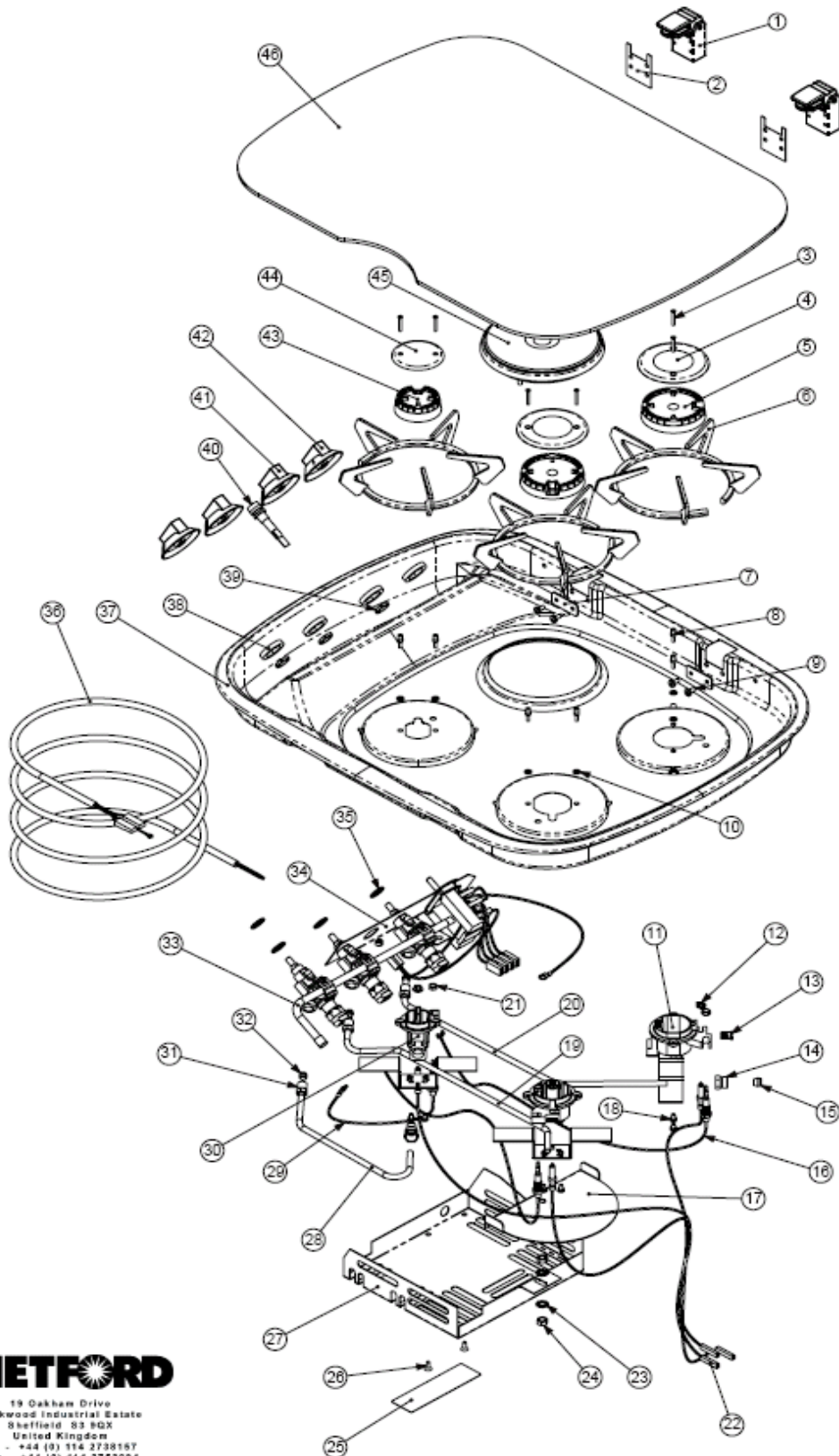
ARGENT 3 BURNER HOB - EXPLODED DRAWING (GENERIC)



ARGENT 4 BURNER HOB - EXPLODED DRAWING (GENERIC)



SHB14200 DUAL FUEL ARGENT HOB



THETFORD

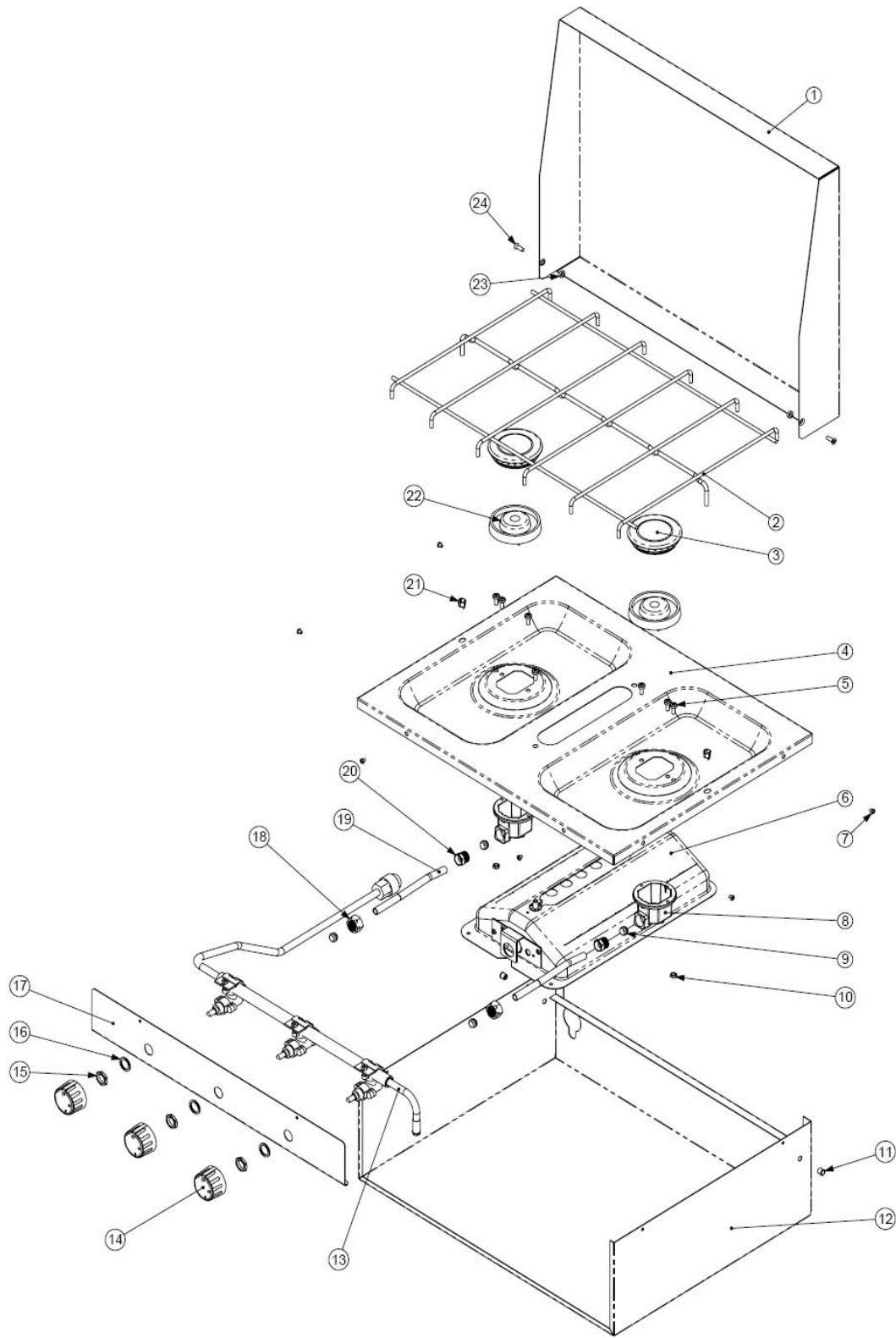
19 Oakham Drive
 Parkwood Industrial Estate
 Sheffield S3 9GX
 United Kingdom
 Tel. +44 (0) 114 2738167
 Fax. +44 (0) 114 2753094

SHB14200 DUAL FUEL ARGENT HOB

MODELS

DRW No.	PART CODE	DESCRIPTION	14260	14261	14262	14263	14265	14266	14270	14280	14281	14285	14286	14290	14291
1	SPCC2005.BK	Hinge, Glass Lid, 2001 style	X	X	X	X	X	X	X	X	X	X	X	X	X
3	SPCC0815	Screw, fixing, burner cap	X	X	X	X	X	X	X	X	X	X	X	X	X
4	SPCC0813	Burner Cap, SR	X	X	X	X	X	X	X	X	X	X	X	X	X
5	SPCC0811	Flamespreader, SR Skirtless	X	X	X	X	X	X		X	X				
5	SPCC0812	Flamespreader, SR, Skirt							X			X	X	X	X
6	SPCC0699.EN	Support, Pan, individual - Aux/Semi	X	X	X	X	X	X		X	X				
	SPCC0673	Support, Pan ARG DF Hob							X			X	X	X	X
7	SPCX0378.BK	Gasket, cam hinges, PTFE BK	X	X	X	X	X	X							
10	SPCX0339	Washer, 4BA Red Fibre	X	X	X	X	X	X	X	X	X	X	X	X	X
11	SPCC0797	Burner, cup injector semi (0.62 Euro 1.5kw)	X	X	X	X	X	X	X	X	X	X	X	X	X
12	SPCC1499	Gasket, Electrode	X	X	X	X	X	X	X	X	X	X	X	X	X
13	SPCC1498	Clip, fixing, electrode	X	X	X	X	X	X	X	X	X	X	X	X	X
16	SPCC1132	Thermocouple, S2 burner, faston, 450mm	X	X	X	X	X	X	X	X	X	X	X	X	X
21	SPCX0163	Locknut, M6 brass coarse thread	X	X	X	X	X	X	X	X	X	X	X	X	X
22	SPCC1456	Electrode, spark 1200mm	X	X	X	X	X	X	X	X	X	X	X	X	X
29	SPCC1130	Thermocouple, S2 burner, faston, 250mm	X	X	X	X	X	X	X	X	X	X	X	X	X
30	SPCC0798	Burner, cup injector aux (0.50 Euro 1.0kw)	X	X	X	X	X	X	X	X	X	X	X	X	X
33	SMAC7340	Tap/Manifold Assy, 3BF+E/8mm L/H or R/H	X	X	X	X	X	X	X	X	X	X	X	X	X
	◆ SPCC0728	Tap Burn FFD/8 (0.34)	X	X	X	X	X	X	X	X	X	X	X	X	X
35	SPCX0177	Washer, Fibre	X	X	X	X	X	X	X	X	X	X	X	X	X
37	SMCP2922.???	Press, Arg, SAB 1/2/0+E FI LHC IPR	BK		BK		BK			S					
37	SMCP2920.??	Press, Arg, SAB 1/2/0+E FI LHC							BS			BS	BS	LNS	
37	SMCP2927.??	Press, Arg, SAB 1/2/0+E FI RHC		BK		BK		BK			S				
37	SMCP2925.??	Press, Arg, SAB 1/2/0+E FI RHS													LNS
38	SPCX0345	EPDM Sponge Washer 30x18x6mm, BK	X	X	X	X	X	X	X	X	X	X	X	X	X
40	SPCC0970	Lamp Indicator	X	X	X	X	X	X	X	X	X	X	X	X	X
41	SPCC0590.??	Knob, hob/gr 2 piece	SA	SA						SA	SA				
41	SPCC0580.??	Knob, Blank 2 piece			CR	CR	CR	CR							
41	SPCC0602.??	Knob, Hob/gr, Teardrop							MNK			BK	BK	MNK	MNK
42	SPCC0585.??	Knob, Hotplate 2 piece	SA	SA						SA	SA				
42	SPCC0598.??	Knob, Hotplate, Teardrop							MNK			BK	BK	MNK	MNK
43	SPCC0827	Flamespreader, Aux Skirtless	X	X	X	X	X	X		X	X				
43	SPCC0824	Flamespreader, Aux, Skirt							X			X	X	X	X
44	SPCC0825	Burner Cap, Aux	X	X	X	X	X	X	X	X	X	X	X	X	X
45	SPCC0914	Hotplate, 800w 6.3x0.8 faston	X	X	X	X	X	X	X	X	X	X	X	X	X
46	SPCC1900.BK	Glass Lid	X	X	X	X	X	X	X	X	X	X	X	X	X
46	SPCC1902.BK	Glass Lid, Chincilla					X	X						X	X
	SPCC0948	Switch, hotplate control	X	X	X	X	X	X	X	X	X	X	X	X	X
	SPCC0814	Stud, fixing, burner cup	X	X	X	X	X	X	X	X	X	X	X	X	X
	SPCC2400.BK	Sticker set, burner position	X	X	X	X	X	X	X	X	X	X	X	X	X
	SPCC1270DF	Instructions, user Arget D/F UK	X	X	X	X	X	X	X	X	X	X	X	X	X
	SPCC1203	Bezel, inset/lip, 1900mm	X	X	X	X	X	X	X	X	X	X	X	X	X
	SPCC0647	Clip, Pan Support, PTFE Top Fix							X			X	X	X	X
	◆ SPCX0119	Screw, M4x12 Pozi							X			X	X	X	X

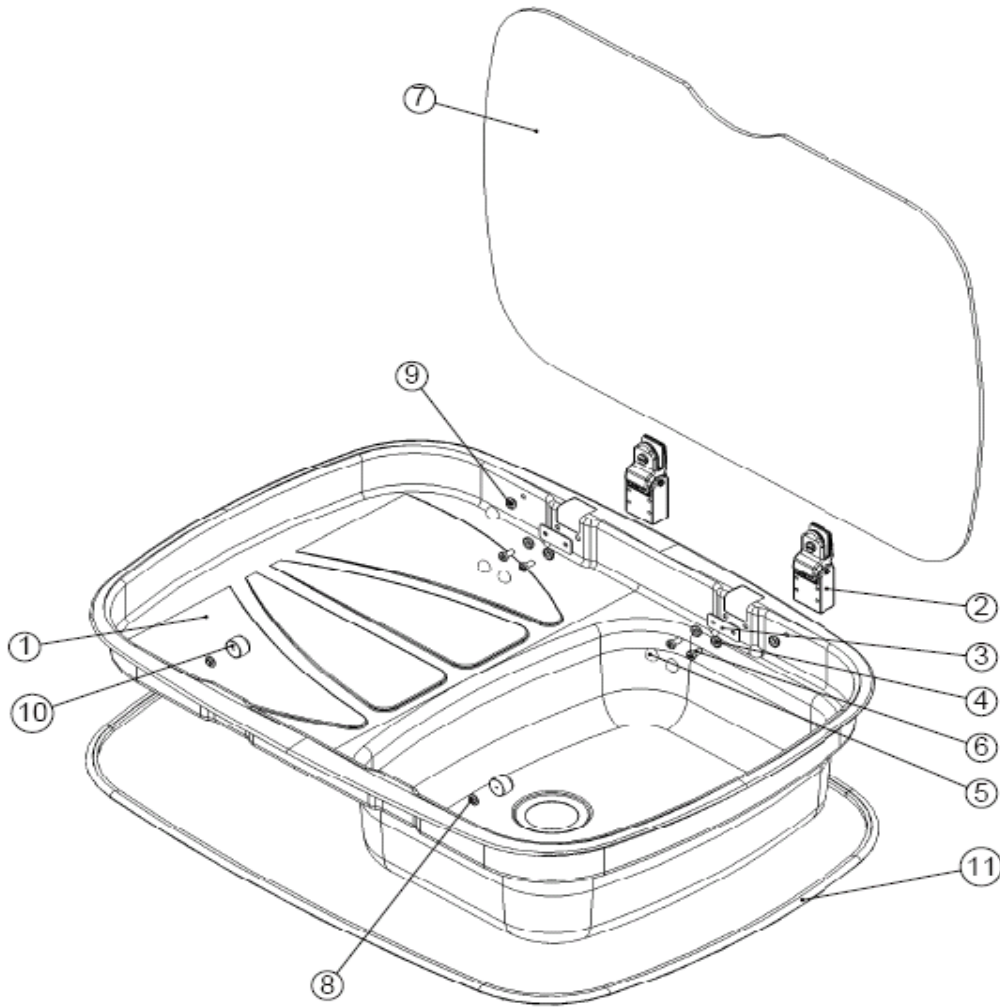
SHT27000 2Burner and Grill - Exploded Drawing (Generic)



SHT27000 2 Burner and Grill

DRW No.	PART CODE	DESCRIPTION	MODELS					
			27607	27610	27646	27646Z	27647	27647Z
1	SMCC2105	G/box, Lid, for Australia				x		x
2	SPCC0640	Support, Pan	x	x	x	x	x	x
3	SPCC0806	Burner Cap & Crown	x	x	x	x	x	x
3	SMAC0030	Hob Burner Kit - incs, burner support, cap&crown, Injector etc.			x	x		x
4	SMCP2006S	Pressing, Hotplate Top 2BGF SS	x		x	x	x	x
4	SMCP2008S	*Inactive* Pressing, Hotplate Top 2BGF SS		x				
5	SPCC0641	Clip, Pan Support (x2)	x	x	x	x	x	x
6	SMAC0052	Grill Burner Assembly, 2005, Hoob	x	x	x	x	x	x
	◆ SPCC0109	Washer, Starlock 6mm (x2)	x	x	x	x	x	x
12	SMCC2100	Grillbox, Hotplate 2BG FC				x	x	x
13	SMAC0260	Tap/Manifold Assy, 2BGF F/C+grillbox NON FFD			x	Z		Z
13	SMAC2222	Tap/Manifold Assy, 2BGF					x	
13	SMAC2223	*Inactive* Tap/Manifold Assy, 2BGF	x	x				
	◆ SPCC0690	Tap, Saddle Burner 0.34			x	x		x
	◆ SPCC0695	Tap, Saddle Grill 0.50			x	x		x
	◆ SPCC0718	Tap, Burner 0.34	x	x				
	◆ SPCC0719	Tap, Grill 0.45	x	x				
	◆ SPCC0728	Tap, Burner 0.34					x	
	◆ SPCC0729	Tap, Grill 0.45					x	
14	SPCC0616	Knob, Control (N) SB No.4			x	x		x
14	SPCC0619.BK	Knob, Control 2020 BK Lam	x	x			x	
17	SMCC0405.BK	Fascia, 2BG F/C Hotplate			x	x		x
17	SMCF0534	Fascia, 2BG F/C Hotplate "THETFORD"	x	x			x	
22	SPCC0807	Burner Support	x	x	x	x	x	x
	SMAC0066	Grill Pan - Long, Detach	x	x	x	x	x	x
	◆ SPCC1186	Grill Pan Handle	x	x	x	x	x	x
	◆ SPCC1195	Grill Pan Trivet	x	x	x	x	x	x
	SPCC1141	Thermocouple, S1 Burner, faston 320mm Hob					x	
	SPCC1157	Thermocouple, 320mm Hob	x	x				
	SPCC1125	Thermocouple, Grill, faston 600mm					x	
	SPCC1164	Thermocouple, 600mm fast Grill	x	x				
	SPCC0775	Jet, No62, Hob & Grill Burner	x	x	x	x	x	x
	SPCC1277	Instructions, User 2BG Hotplate	x	x	x	Z	x	Z

ARGENT SINK - EXPLODED DRAWING (GENERIC)



SK1080

ARGENT SINK (Models SSK)

MODELS SSK

Drw No.	Part Code	Description	1001	1003	1004	1005	1006	1007	1008	1010	1011	1012	1016	1017	1018	1019	1023
1	SMCP6000.??	Press, Arg SK, 630x470 LH				S				CM			CM		CM		
1	SMCP6001.??	Press, Arg SK, 630x470 RH	S				S				CM			CM		CM	
1	SMCP6002.??	Press, Arg SK, 630x470 LH (Dethleffs)															
1	SMCP6003.??	Press, Arg SK, 630x470 RH (Dethleffs)															
1	SMCP6005.??	Press, Arg SK, 630x470 T30 LH						S				CM					
1	SMCP6006.??	Press, Arg SK, 630x470 T30 RH							S								
1	SMCP6007.??	Press, Arg SK, 630x470 T39 LH		S													
1	SMCP6008.??	Press, Arg SK, 630x470 T39 RH			S												
1	SMCP6010.??	Press, Arg SK, 630x470 SH LH															
1	SMCP6011??	Press, Arg SK, 630x470 SH RH															
1	SMCP6027.??	Press, Arg SK, 630x470 T35 LH															S
1	SMCP6028.??	Press, Arg SK, 630x470 T35 RH															
1	SMCP6100.??	Press, Arg SK, 630x470 CM															
1	SMCP6200.??	Press, Arg SKSH, 630x470 LH															
1	SMCP6201.??	Press, Arg SKSH, 630x470 RH															
2	SPCC2005.BK	Hinge, Glass Lid 2001 Style	x	x	x	x	x	x	x	x	x	x	x	x	x	x	x
4	SPCX0370	Washer, Cap Ring, M4, Nylon, WH	x	x	x	x	x	x	x	x	x	x	x	x	x	x	x
5	SPCX0371.GR	Cover, Cap Ring, M4, Nylon, Grey	x	x	x	x	x	x	x	x	x	x	x	x	x	x	x
7	SPCC1910.BK	Glass, 594x398x4mm BK Inset BK	x	x	x	x	x	x	x	x	x	x			x	x	x
7	SPCC1912.BK	Glass, CH, 594x398x4mm BK Inset BK											x	x			x
7	SPCC1911.FWH	Glass, 594x398x4mm FWH Inset BK															
7	SPCC1915.BK	Glass, 594x398x4mm Inset SK, Solid BK															
8	SPCX0368	Insulation Sleeve, Nylon, White	x	x	x	x	x	x	x	x	x	x	x	x	x	x	
9	SPCX0369	Washer, shoulder, M4, Nylon, White	x	x	x	x	x	x	x	x	x	x	x	x	x	x	x
10	SPCX0385	Bump Stop, Rubber s/fix Dia17	x	x	x	x	x	x	x	x	x	x	x	x	x	x	x
11	SPCC1201	Bezel, inset/lip, 2100mm Sink BK	x	x	x	x	x	x	x	x	x						x
11	SPCC1204	Bezel, inset/lip, 2100mm Sink BK											x	x	x	x	

ARGENT SINK (Models SSK)

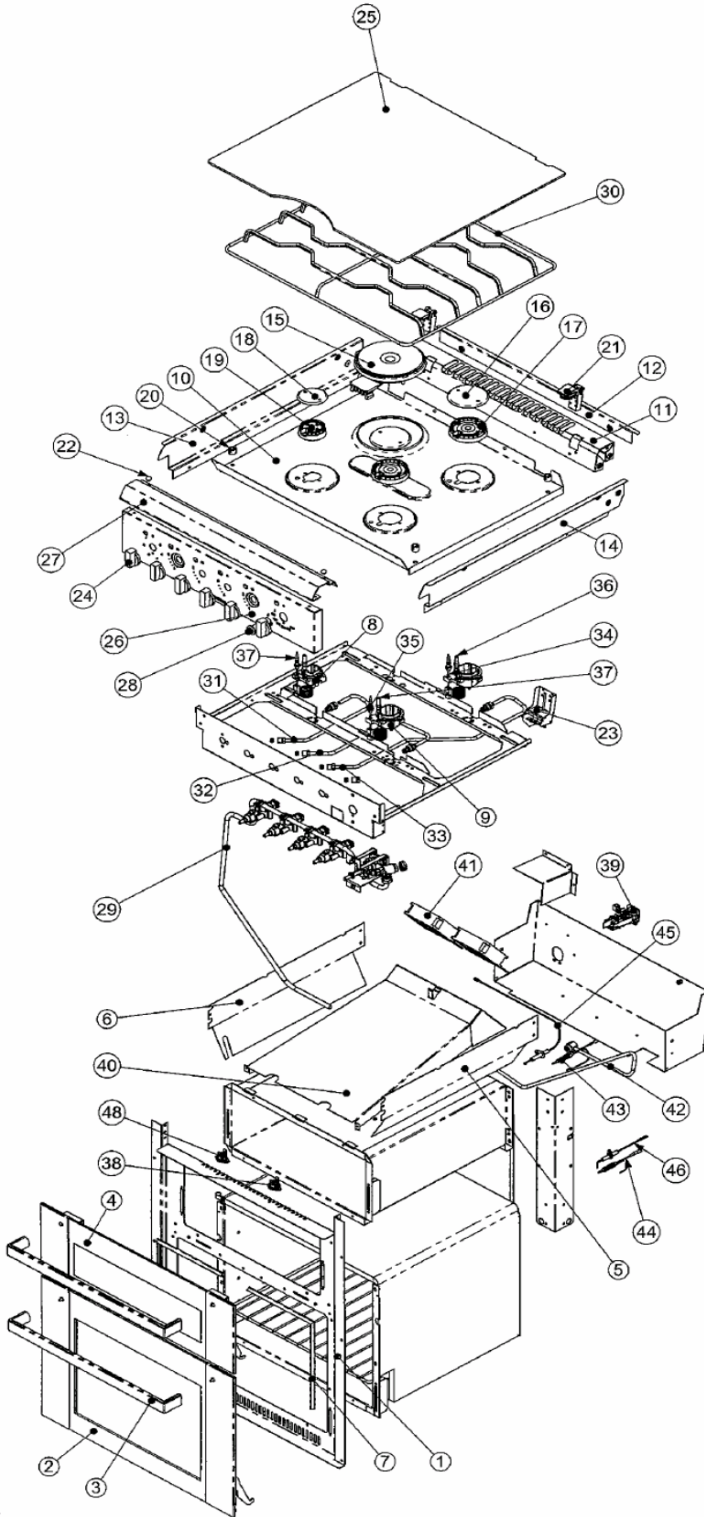
Drw No.	Part Code	Description	1024	1025	1026	1027	1028	1045	1046	1050	1051	1060	1061	1075	1075Z	1076	1076Z
1	SMCP6000.??	Press, Arg SK, 630x470 LH		S				S		MG		BK		S	S		
1	SMCP6001.??	Press, Arg SK, 630x470 RH			S				S		MG		BK			S	S
1	SMCP6002.??	Press, Arg SK, 630x470 LH (Dethleffs)				S											
1	SMCP6003.??	Press, Arg SK, 630x470 RH (Dethleffs)					S										
1	SMCP6005.??	Press, Arg SK, 630x470 T30 LH															
1	SMCP6006.??	Press, Arg SK, 630x470 T30 RH															
1	SMCP6007.??	Press, Arg SK, 630x470 T39 LH															
1	SMCP6008.??	Press, Arg SK, 630x470 T39 RH															
1	SMCP6010.??	Press, Arg SK, 630x470 SH LH															
1	SMCP6011??	Press, Arg SK, 630x470 SH RH															
1	SMCP6027.??	Press, Arg SK, 630x470 T35 LH															
1	SMCP6028.??	Press, Arg SK, 630x470 T35 RH	S														
1	SMCP6100.??	Press, Arg SK, 630x470 CM															
1	SMCP6200.??	Press, Arg SKSH, 630x470 LH															
1	SMCP6201.??	Press, Arg SKSH, 630x470 RH															
2	SPCC2005.BK	Hinge, Glass Lid 2001 Style	x	x	x	x	x	x	x	x	x	x	x	x	x	x	x
4	SPCX0370	Washer, Cap Ring, M4, Nylon, WH	x	x	x	x	x	x	x	x	x	x	x	x	x	x	x
5	SPCX0371.GR	Cover, Cap Ring, M4, Nylon, Grey	x	x	x	x	x	x	x	x	x	x	x	x	x	x	x
7	SPCC1910.BK	Glass, 594x398x4mm BK Inset BK	x	x	x	x	x	x	x	x	x	x	x	x	x	x	x
7	SPCC1912.BK	Glass, CH, 594x398x4mm BK Inset BK	x	x	x	x	x			x	x						
7	SPCC1911.FWH	Glass, 594x398x4mm FWH Inset BK						x	x			x	x	x	x	x	x
7	SPCC1915.BK	Glass, 594x398x4mm Inset SK, Solid BK															
8	SPCX0368	Insulation Sleeve, Nylon, White															
9	SPCX0369	Washer, shoulder, M4, Nylon, White	x	x	x	x	x	x	x	x	x	x	x	x	x	x	x
10	SPCX0385	Bump Stop, Rubber s/fix Dia17	x	x	x	x	x	x	x	x	x	x	x	x	x	x	x
11	SPCC1201	Bezel, inset/lip, 2100mm Sink BK	x			x	x			x	x			x		x	
11	SPCC1204	Bezel, inset/lip, 2100mm Sink BK		x	x			x	x			x	x		x		x

ARGENT SINK (Models SSK)

Drw No.	Part Code	Description	1077	1078	1090	1091	1092	1093	1095	1096	1110	1205	1210	1211
1	SMCP6000.??	Press, Arg SK, 630x470 LH			LNS		LNS							
1	SMCP6001.??	Press, Arg SK, 630x470 RH				LNS		LNS						
1	SMCP6002.??	Press, Arg SK, 630x470 LH (Dethleffs)												
1	SMCP6003.??	Press, Arg SK, 630x470 RH (Dethleffs)												
1	SMCP6005.??	Press, Arg SK, 630x470 T30 LH	S											
1	SMCP6006.??	Press, Arg SK, 630x470 T30 RH		S										
1	SMCP6007.??	Press, Arg SK, 630x470 T39 LH												
1	SMCP6008.??	Press, Arg SK, 630x470 T39 RH												
1	SMCP6010.??	Press, Arg SK, 630x470 SH LH							S					
1	SMCP6011??	Press, Arg SK, 630x470 SH RH								S				
1	SMCP6027.??	Press, Arg SK, 630x470 T35 LH												
1	SMCP6028.??	Press, Arg SK, 630x470 T35 RH												
1	SMCP6100.??	Press, Arg SK, 630x470 CM									CM			
1	SMCP6200.??	Press, Arg SKSH, 630x470 LH										S	S	
1	SMCP6201.??	Press, Arg SKSH, 630x470 RH												S
2	SPCC2005.BK	Hinge, Glass Lid 2001 Style	x	x	x	x	x	x	x	x		x	x	x
4	SPCX0370	Washer, Cap Ring, M4, Nylon, WH	x	x	x	x	x	x	x	x		x	x	x
5	SPCX0371.GR	Cover, Cap Ring, M4, Nylon, Grey	x	x	x	x	x	x	x	x		x	x	x
7	SPCC1910.BK	Glass, 594x398x4mm BK Inset BK	x	x	x	x	x	x	x	x	x	x	x	x
7	SPCC1912.BK	Glass, CH, 594x398x4mm BK Inset BK							x	x		x		
7	SPCC1911.FWH	Glass, 594x398x4mm FWH Inset BK	x	x	x	x								
7	SPCC1915.BK	Glass, 594x398x4mm Inset SK, Solid BK					x	x						
8	SPCX0368	Insulation Sleeve, Nylon, White											x	x
9	SPCX0369	Washer, shoulder, M4, Nylon, White	x	x	x	x	x	x	x	x		x	x	x
10	SPCX0385	Bump Stop, Rubber s/fix Dia17	x	x	x	x	x	x	x	x		x	x	x
11	SPCC1201	Bezel, inset/lip, 2100mm Sink BK	x	x					x	x		x		
11	SPCC1204	Bezel, inset/lip, 2100mm Sink BK			x	x	x	x			x		x	x

ASPIRE - EXPLODED DRAWING (GENERIC)

Please note that when ordering item number 23 (Shut off mechanism) you should first check the appliance serial number. If the serial number is prior to 10-40-358627001 then you will require new hob thermocouples and extension leads as the original spade fittings are not compatible to the new shut off mechanism.



ASPIRE (SCK)

Drw No.	Component Item	Item Description	13971	13980	13981	13986	13990	13991	13992
1	SMCO4073.BK	Trim front, 1/2 hidden, EN, LOCK, Side Open, BK			X				
1	SMCO4160.BK	Trim front, 1/2 hidden, EN, LOCK, BK	X	X		X			
1	SMCO4180.BK	Trim front, 3/4 extended, SS/ALU					X	X	X
1	SMCO4181.BK	Trim front, 3/4 extended, SS/ALU, Lock, *as of ser. no. 2009070333*							
1	SMCO4182.BK	Trim front, 3/4, SS/ALU, Lock *as of serial no. 20090????*					X	X	X
2	SMAO4130.???	Oven Door, BK, "Sides" Drop Down	BK	BK4		BK	BK3		
2	SMAO4135.???	Oven Door, BK, "Sides" Side Open			BK4			BK3	BK3
	◆ SPCO0140	Catch, Jetpress for side opening oven door			X			X	X
	◆ SMAO4150	Side open door, frame bracket & Pin, Down Assembly			X			X	X
	◆ SMAO4151	Side open door, frame bracket & Pin, Up Assembly			X			X	X
	◆ SPCO0138	Stud, oven door catch for side opening oven door			X			X	X
	◆ SPCX0181	Washer, M4 2mm THK for door stud			X			X	X
	◆ SG1090	Glass, Inner Door (oven)	X	X	X	X	X	X	X
3	SPCO0308.S	Handle, T-Bar 12mm					X	X	X
3	SPCO0323.BNK	Handle, V-Cut, bright nickel, 390mm centre	X			X			
3	SPCO0307.SA	Handle, Ellipse 390crs SA		X	X				
	◆ SPCX0451	Insulation Sleeve (for door handles)	X	X	X	X	X	X	X
4	SMAO4120.???	Grill Door, BK, "Sides"	BK	BK4	BK4	BK	BK3	BK3	BK3
7	SPCO0246	Seal, Oven Door Mk3 front flue	X	X	X	X	X	X	X
10	SMAC4115.BK	Hob Panel, Aspire DF, 1/2/ELR, Black	X	X	X	X	X	X	X
10	SMAC4120.BK	Hob Panel, Aspire, 1/2/0 Black							
	◆ SPCC1211	Hob bezel, Black, self adhesive	X	X	X	X	X	X	X
11	SMCO4163.BK	Trim, rear hob, slimline hinges	X	X	X	X	X	X	X
12	SMCO4159.BK	Trim, Back & Infill 73mm				X			
12	SMCO4164.BK	Trim, Back, Black	X	X	X		X	X	X
12	SMCO4158.BK	Trim, Back +3, BK							
13	SMCO4165.BK	Trim, Hob L/H, 28mm curved profile							
13	SMCO4167.BK	Trim, Hob L/H, 40mm curved profile	X						
13	SMCO4169.BK	Trim, Hob L/H, 28mm square profile		X	X				
13	SMCO4171.BK	Trim, Hob L/H, SQ35mm R6 profile					X	X	X
13	SMCO4175.BK	Trim, Hob L/H, 28mm square profile							
13	SMCO4188.BK	Trim, Hob L/H, 28mm square profile				X			
14	SMCO4166.BK	Trim, Hob R/H, 28mm curved profile							
14	SMCO4168.BK	Trim, Hob R/H, 40mm curved profile	X						
14	SMCO4170.BK	Trim, Hob R/H, 28mm square profile		X	X				
14	SMAO4172.BK	Trim, Hob R/H, SQ35mm R6 profile					X	X	X
14	SMCO4176.BK	Trim, Hob R/H, 28mm square profile							
14	SMCO4189.BK	Trim, Hob R/H, 28mm square profile				X			
15	SPCC0914	Hotplate, 97.12056.207, 800w	X	X	X	X	X	X	X
16	SPCC0813	Burner Cap, SAB S2, SR, Enamel Bk	X	X	X	X	X	X	X
17	SPCC0811	Flamespreader, SAB S2, SR, Skirtless	X	X	X	X	X	X	X
18	SPCC0825	Burner Cap, SAB S2, Aux, Enamel Bk	X	X	X	X	X	X	X
19	SPCC0827	Flamespreader, SAB S2, Aux, Skirtless	X	X	X	X	X	X	X
	◆ SPCC0815	Screw, fixing, Burner Cap	X	X	X	X	X	X	X
	◆ SPCX0339	Washer, 4BA, Red Fibre	X	X	X	X	X	X	X
	◆ SPCC0814	Stud, Fixing, Burner Cap	X	X	X	X	X	X	X

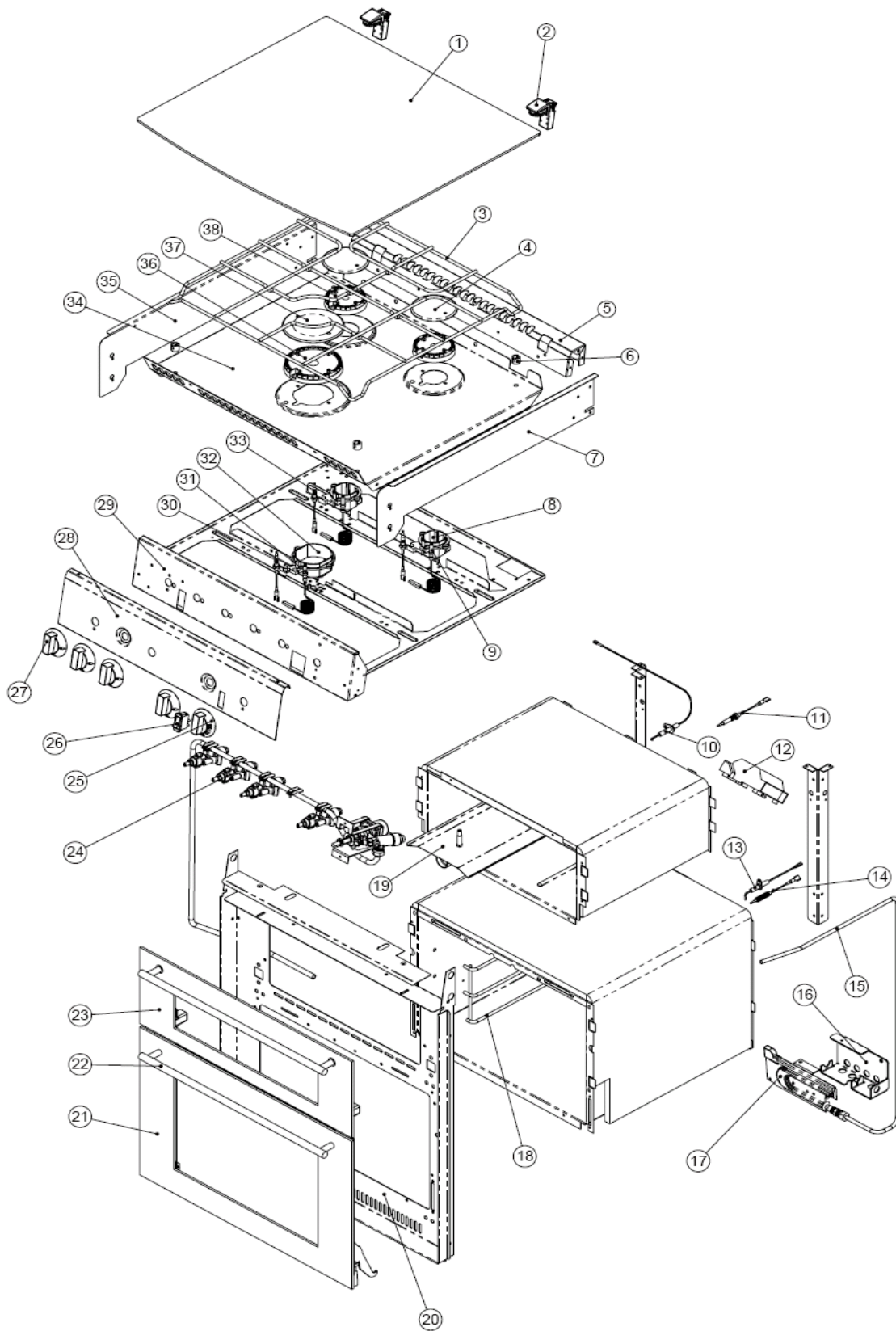
ASPIRE (SCK)

Drw No.	Component Item	Item Description	13971	13980	13981	13986	13990	13991	13992
20	SPCC0647	Clip, Pan Support PTFE Top Fix	X	X	X	X	X	X	X
21	SPCC2003.BK	Hinge, Glass Lid 2004 Style	X	X	X	X	X	X	X
22	SPCX0391	Bump Stop, push fit	X	X	X	X	X	X	X
23	SMAC3121	Switch Assembly, Lid Shutoff, DF, Cherry *see drawing*	X			X			
	◆ SPCC0503	Pin, Shutoff Valve, 3x38.5mm long	X			X			
24	SPCC0583.SCR	Control knob, 1 piece, satin chrome	X			X			
24	SPCC0585.SA	Knob, Hotplate, 2-piece, SA/BK					X	X	X
24	SPCC0590.SA	Knob, Hob/Grill, 2-piece, SA/BK					X	X	X
24	SPCC0599.MNK	Knob, Control, Teardrop, matt nickel							
24	SPCC0613.CR	Knob, Hotplate, skirt/lever chrome		X	X				
24	SPCC0618.CR	Knob, Hob/Grill, skirt/lever chrome		X	X				
25	SG998.BK	Glass Lid, No Notch, BK	X	X	X	X	X	X	X
25	SG999.BK	Glass Lid, Notch, BK							
26	SMCO4150.BK	Fascia, Apsire DF, 1/2/0+ELR OGI, Black	X			X			
26	SMCO4151.???	Fascia, Apsire DF, 1/2/0+ELR OGI Neon		BK	BK		GBK/AUT	GBK/AUT	GBK/AUT
26	SMCO4155.BK	Fascia, Aspire 1/3/0 OGI, Black, "THETFORD"							
	◆ SPCC1377	Switch, ignition momentary on, Black	X	X	X	X	X	X	X
	◆ SPCC1386	Button, round ignition, Black	X	X	X	X	X	X	X
	◆ SPCC1387	Bezel, snap fit ignition, Black	X	X	X	X	X	X	X
27	SPCC2024.BNK	Extruded profile, 28mm curved, Bright nickel							
27	SPCC2025.BNK	Extruded profile, 40mm curved, Bright nickel	X						
27	SMCO4196.BNK	Extruded profile, square, Bright nickel		X	X	X			
27	SMCO4190.GBK	Profile Trim, SQ35 R6, Gloss Black					X	X	X
28	SPCC0595.SA	Knob, Oven, 2-piece, SA/BK					X	X	X
28	SPCC0617.CR	Knob, Oven, skirt/lever chrome		X	X				
29	SMAC4112	Tap/Manifold Assy, 3BGF, Aspire DF	X			X	X	X	X
29	SMAC4117	Tap/Manifold Assy, 3BGF, DF, Rear		X	X				
29	SMAC4122	Tap/Manifold Assy, 4BGF, Aspire Rear							
	◆ SPCC0728	Tap, Burner, FFD/8mm 9131/1 0.34 (for auxilary burner)	X	X	X	X	X	X	X
	◆ SPCC0729	Tap, Grill, FFD/8mm 9131/1 0.45(for grill and both std hob burners)	X	X	X	X	X	X	X
	◆ SPCO0472	Tap, Thermostat 9138/1	X	X	X	X	X	X	X
30	SPCC0692.EN	Support, Pan, Aspire DF, Enamel BK	X	X	X	X	X	X	X
30	SPCC0702.EN	Pan Support, Enamel BK							
34	SPCC1082	Thermocouple, S2 Burner-Switch, faston, 600mm (x2)	X			X			
34	SPCC1132	Thermocouple, S2 Burner, faston, 450mm		X	X		X	X	X
35	SPCC1080	Thermocouple, S2 Burner-Switch, faston, 320mm (x1)	X			X			
35	SPCC1130	Thermocouple, S2 Burner, faston, 250mm		X	X		X	X	X
	◆ SPCX0163	Locknut, M6 Brass coarse thread (for hob thermocouples)	X	X	X	X	X	X	X
36	SPCC1457	Electrode, Spark 900mm	X	X	X	X	X	X	X
37	SPCC1455	Electrode, Spark 600mm	X	X	X	X	X	X	X
	◆ SPCC1498	Clip, fixing, electrode	X	X	X	X	X	X	X
38	SPCO0973	Cut Out, Thermal, normally open	X	X	X	X	X	X	X
41	SPCC0966	Cooling Fan	X	X	X	X	X	X	X
43	SPCC1123	Thermocouple, Grill, Faston, 740mm	X	X	X	X	X	X	X
44	SPCC1120	Thermocouple, Oven, Faston, 1000mm					X	X	X
44	SPCC1121	Thermocouple, Oven, Faston, 1300mm	X	X	X	X			

ASPIRE (SCK)

Drw No.	Component Item	Item Description	13971	13980	13981	13986	13990	13991	13992
	♦ SPCX0157	Locknut, M8 Brass (for oven & grill thermocouples)	X	X	X	X	X	X	X
45	SPCC1418	Electrode, Spark 300mm (grill)	X	X	X	X	X	X	X
46	SPCC1430	Electrode, Spark 650mm (oven)	X	X	X	X	X	X	X
48	SPCO0974	Cut Out, Thermal, normally closed	X	X	X	X	X	X	X
	SPCC1090	Extension Lead (Black), Switch - Tap, faston 350mm	X	X	X	X	X	X	X
	SPCC1072	Extension Lead (Black), Switch - Tap, faston 600mm	X			X			
	SMAO0064	Burner, Oven, Assembly	X	X	X	X	X	X	X
	SMAC0056	Burner, Grill, Assy, 2005, No hood	X	X	X	X	X	X	X
	♦ SPCX0190	Washer, Starlock 6mm (for grill burner)	X	X	X	X	X	X	X
	SPCC0773	Jet, No59 (oven)	X	X	X	X	X	X	X
	SPCC0775	Jet, No62 (grill & hob)	X	X	X	X	X	X	X
	SPCC1397	Generator, Spark 12v	X	X	X	X	X	X	X
	SMAO4160.???	Lower Door, Push, BK "Sides"					BK	BK	BK
	♦ SPCX0264	Pin, Rivet					X	X	X
	♦ SPCX0217	Washer, Domed Cap, Starlock 5mm					X	X	X
	SPCC0948	Hotplate Control Switch	X	X	X	X	X	X	X
	SPCO0292	Shelf, Oven	X	X	X	X	X	X	X
	SMAC0063	Grill Pan - large, Detach	X	X	X	X	X	X	X
	SPCC1186	Handle, Grill Pan	X	X	X	X	X	X	X
	SPCC1190	Trivet, Grill Pan	X	X	X	X	X	X	X
	SPCC0790	Lamp Indicator, hotplate		X	X		X	X	X

CAPRICE Mk3 (SOH74000) - EXPLODED DRAWING (GENERIC)

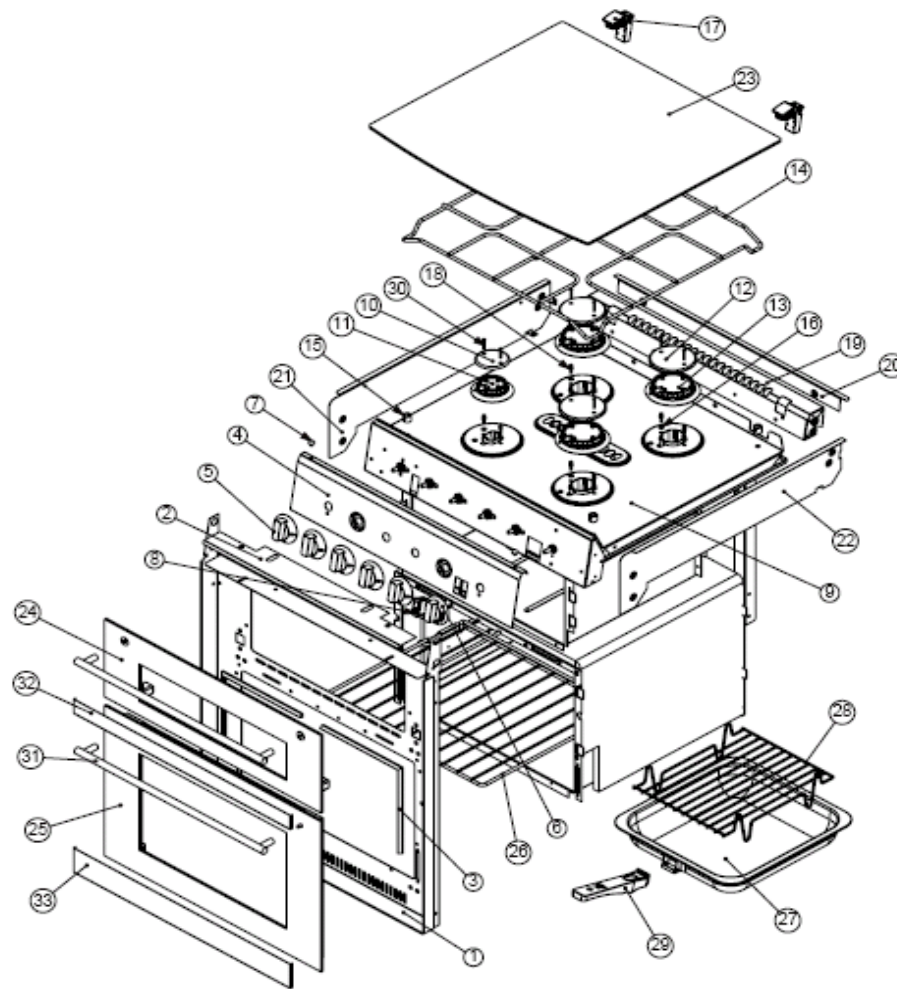


CAPRICE 3 BURNER

MODELS

DRW No	Component Item No	Item Description	74010	74090	74095	74097	74100	74275	74295	74973	74987	74988	74990
1	SG990.BK	GLASS,LID CAP MK3 496, BK/GR	X	X	X	X		X	X	X	X	X	X
1	SG992.BK	GLASS,LID CAPRICE MK3 496, BK/GR, PROTECT					X						
2	SPCC2003.BK	HINGE,GLASS LID 2004 STYLE	X	X	X	X	X	X	X	X	X	X	X
3	SPCC0687	SUPPORT,PAN 3 (TRI) MK3 STYLE CHROME	X	X	X	X	X	X	X	X	X	X	X
4	SPCC0813	BURNER CAP, DRILLED,0881/3.1	X	X	X	X	X	X	X	X	X	X	X
5	SMCO3769.BK	TRIM,REAR,HOB,SLIMLINE HINGES,CAP/MIN/TRI 496 BK	X	X	X	X	X	X	X	X	X	X	X
6	SPCC0647	CLIP,PAN SUPPORT PTFE TOP FIX	X	X	X	X	X	X	X	X	X	X	X
7	SMCO3786.BK	TRIM,HOB,R/H SIDE,CAP/MIN/TRI, R12.8 PROFILE, BK	X	X	X	X		X	X		X	X	X
7	SMCO3788.BK	TRIM,HOB,R/H SIDE,CAP/MIN/TRI, SQ PROFILE, BK					X			X			
10	SPCC1418	ELECTRODE,SPARK 300MM S/FIX	X	X	X	X	X	X	X	X	X	X	X
11	SPCC1125	THERMOCOUPLE, GRILL, FASTON, 600MM	X	X	X	X	X	X	X	X	X	X	X
12	SPCC1399	GENERATOR,SPARK IGB 60 (12F)	X	X	X	X	X	X	X	X	X	X	X
13	SPCC1430	ELECTRODE,SPARK 650MM S/FIX	X	X	X	X	X	X	X	X	X	X	X
14	SPCC1120	THERMOCOUPLE, OVEN, FASTON, 1000MM	X	X	X	X	X	X	X	X	X	X	X
17	SMAO0064	BURNER ASSY WORGAS COMPLETE	X	X	X	X	X	X	X	X	X	X	X
19	SMAC0056	GRILL ASSY, 2005, NO HOOD	X	X	X	X	X	X	X	X	X	X	X
	◆ SPCX0190	WASHER,STARLOCK 6MM DT6493	X	X	X	X	X	X	X	X	X	X	X
20	SMCO3793.BK	TRIM,FRONT,CAPRICE 496 1/2 CRUSH BK					X						
20	SMCO3794.BK	TRIM,FRONT,CAPRICE 496 3/4 CRUSH BK		X	X	X		X					X
20	SMCO3792.BK	TRIM,FRONT,CAPRICE 496 3/4 SAFE BK	X						X		X	X	
20	SMCO3791.BK	TRIM, FRONT, CAPRICE 496 1/2 SAFE BK								X			
21	SMAO3445.???	OVEN DOOR,CAP496 DROP DOWN	BPM/AN1	BPM/SM7	BPM/SM9	BK2	SS4	BSV/GT1	GT/SVS4		SS		SS3
21	SMAO3440.???	OVEN DOOR,CAP496 SIDE								SS2		SS	
	◆ SPCO0139	STUD, OVEN DOOR CATCH (for side opening)								X		X	
	◆ SPCO0124	BUSH, HINGE (for side opening)								X		X	
	◆ SPCO0140	CATCH, JETPRESS (for side opening)								X		X	
	◆ SMCO0684	DOOR HINGE, UPPER (for side opening)								X		X	
	◆ SMCO0685	DOOR HINGE, LOWER (for side opening)								X		X	
	◆◆ SPCX0119.BK	SCREW, M4X12 (for door hinges x 4)								X		X	
22	SPCO0307.???	HANDLE,ELLIPSE 390CRS	SGD						BK		SGD	SGD	
22	SPCO0302.BN	HANDLE,KENSINGTON BRUSHED NICKEL 390CRS		X				X					
22	SPCO0308.S	HANDLE,T-BAR 12mm <->SS 390CRS			X	X	X						
22	SMCO0391.??	HANDLE, HEADON 390CRS								SLV			BK
23	SMAO3425.???	GRILL DOOR,CAP496	BPM/AN1	BPM/SM7	BPM/SM7	BK4	SS4	BSV/GT1	GT/SVS4	SS2	SS	SS	SS3
24	SMAC5653	TAP/MANIFOLD ASSY, 496 3BGF (TRI) SAB REAR	X	X	X	X		X	X	X	X	X	X
24	SMAC5654	TAP/MANIFOLD ASSY, 496 3BGF (TRI) SAB UNDER					X						
	◆ SPCC0728	TAP BURN FFD/8 FC 9131/1 0.34 (x2)	X	X	X	X	X	X	X	X	X	X	X
	◆ SPCC0729	TAP GRIL/RPD FFD/8 FC 9131/1 0.45 (x2)	X	X	X	X	X	X	X	X	X	X	X
	◆ SPCO0472	TAP,THERMOSTAT SABAF TS 9138/1	X	X	X	X	X	X	X	X	X	X	X
25	SPCC0595.??	KNOB, OVEN, 2 PIECE	SA	SA			SA	SA	CR				
25	SPCC0617.SA	KNOB,OVEN SKIRT/LEVER SATIN			X								
26	SPCC1340	SWITCH,ROCKER,RECT,BLK,"SPARK"	X	X	X	X	X	X	X	X	X	X	X
27	SPCC0590.SA	KNOB, HOB/GR, 2 PIECE SA/BK	X	X	X		X	X	CR				
27	SPCC0618.SA	KNOB,HOB/GR SKIRT/LEVER SATIN			X								
27	SPCC0583.SCR	CONTROL KNOB, 1-PIECE				X							
27	SPCC0626.SA	KNOB, CONTROL F/C								X	X		
27	SPCC0619.BK	KNOB, CONTROL 2020 BK/LAM										X	X
28	SMCO3757.??	BEVEL FASCIA,CAPRICE 496 0/2/1,OGI 3BURN (TRI)	BK	CM	CM	BK		BSP	BSP	BSP	BK	BK	BSP
28	SMCO3957.GSL/SPR	BEVEL FASCIA,CAPRICE496 0/2/1,OGI 3B (TRI) GSL/SPR					X						

CAPRICE Mk3 (S0H72000) 4Burner - EXPLODED DRAWING (GENERIC)



CAPRICE 4 BURNER

DRW No	Part Number	Description	72021	72070	72076	72080	72081	72083	72110	72150	72165	72166	72167	72168
1	SMCO3760.BK	TRIM,FRONT,CAPRICE 496 1/2 AUS BK												
1	SMCO3793.BK	TRIM,FRONT,CAPRICE 496 1/2 CRUSH BK		X										
1	SMCO3791.BK	TRIM,FRONT,CAPRICE 496 1/2 SAFE BK												
1	SMCO3794.BK	TRIM,FRONT,CAPRICE 496 3/4 CRUSH BK							X					
1	SMCO3792.BK	TRIM,FRONT,CAPRICE 496 3/4 SAFE BK	X		X	X	X	X		X	X	X	X	X
2	SMCO3964.BK	HEAT DEFLECTOR, FASCIA, EXTENDED, CAP BK	X	X	X	X	X	X	X	X	X	X	X	X
2	◆ SPCX0146	CLIP,J TYPE FOR NO 6 SCREW	X	X	X	X	X	X	X	X	X	X	X	X
2	◆ SPCX0175	WASHER, 18X4X1mm RED FIBRE	X	X	X	X	X	X	X	X	X	X	X	X
2	◆ SPCX0130.BK	SCREW, No 6X1/2 POZI PAN P/H MS CBK	X	X	X	X	X	X	X	X	X	X	X	X
2	◆ SPCX0183	WASHER, 8mm OD x 4mm ID x 2.5mm THK	X	X	X	X	X	X	X	X	X	X	X	X
3	SPCO0246	SEAL,OVEN DOOR MK3 FRONT FLUE SG	X	X	X	X	X	X	X	X	X	X	X	X
4	SMCO3750.BK	BEVEL FASCIA,CAPRICE 496 1/2/0,OGI RHFB BK												
4	SMCO3753.???	BEVEL FASCIA,CAPRICE 496 1/3/0,OGI AB	AB	AB	AB	AB	AB	CM	BSP	BSP	BK	BK	BK	BK
4	SMCO3754.BSP	BEVEL FASCIA,CAPRICE 496 1/3/0,OGIL BSP												
5	SPCC0590.??	KNOB, HOB/GR, 2 PIECE CR/BK		GD						SA				
5	SPCC0619.BK	KNOB,CONTROL 2020 BK LAM							X					
5	SPCC0626.SA	KNOB,CONTROL F/C SATIN/BK LAM			X			X	X					
5	SPCC0618.??	KNOB,HOB/GR SKIRT/LEVER	SA			SA	SA				SA	SA	SA	SA
7	SPCX0380	BUMP STOP,DIA 10x5mm THICK,SA	X	X	X	X	X	X	X	X	X	X	X	X
8	SPCC0595.??	KNOB, OVEN, 2 PIECE CR/BK	X	GD						SA				
8	SPCC0617.??	KNOB,OVEN SKIRT/LEVER	SA			SA	SA				SA	SA	SA	SA
9	SMCP3873.BK	HOB PANEL, CAPRICE496 1/2/0 RHFB BK												
9	SMCP3871.???	HOB PANEL, CAPRICE496 1/3/0	CM	BK	CM	CM	CM	CM	BK	BK	BK	BK	BK	BK
10	SPCC0825	BURNER CAP,DRILLED,AUX 0880/3	X	X	X	X	X	X	X	X	X	X	X	X
11	SPCC0824	FLAMESPREADER,SR2,AUX 0925/3	X	X	X	X	X	X	X	X	X	X	X	X
12	SPCC0813	BURNER CAP, DRILLED,0881/3.1 (X3)	X	X	X	X	X	X	X	X	X	X	X	X
13	SPCC0812	FLAMESPREADER, SR2, 1263/3/01 (X3)	X	X	X	X	X	X	X	X	X	X	X	X
15	SPCC0647	CLIP,PAN SUPPORT PTFE TOP FIX	X	X	X	X	X	X	X	X	X	X	X	X
17	SPCC2003.BK	HINGE, GLASS LID 2004 STYLE	X	X	X	X	X	X	X	X	X	X	X	X
18	SPCC0814	STUD, FIXED BNR CAP, 0658 (X8)	X	X	X	X	X	X	X	X	X	X	X	X
	◆ SPCX0339	WASHER, 4BA Red Fibre (for hob burners) (X8)	X	X	X	X	X	X	X	X	X	X	X	X
19	SMCO3769.BK	TRIM,REAR,HOB,SLIMLINE HINGES,CAP/MIN/TRI 496 BK	X	X	X	X	X	X	X	X	X	X	X	X
20	SMCO3767.BK	TRIM, HOB, BACK, CAPRICE 496 BK	X	X	X	X	X	X	X	X	X	X	X	X
21	SMCO3787.BK	TRIM,HOB,L/H SIDE,CAP/MIN/TRI, R12.8 PROFILE, BK	X	X	X	X	X	X	X	X	X	X	X	X
21	SMCO3780.BK	TRIM,L/H SIDE/SURROUND,CAPRICE 496 BK (AUS)												
21	SMCO3706.BK	TRIM, LH SIDE, CURVED, BK (AUS)												
22	SMCO3786.BK	TRIM,HOB,R/H SIDE,CAP/MIN/TRI, R12.8 PROFILE, BK	X	X	X	X	X	X	X	X	X	X	X	X
22	SMCO3781.BK	TRIM,R/H SIDE/SURROUND,CAPRICE 496 BK (AUS)												
22	SMCO3707.BK	TRIM, RH SIDE, CURVED, BK (AUS)												
23	SG990.??	GLASS,LID CAP MK3 496,	BK	BK	BK	BK	BK	BK	BK	BK	BK	BK	BK	BK
23	SG992.BK	GLASS,LID CAPRICE MK3 496, BK/GR, PROTECT												
24	SMAO3425.???	GRILL DOOR,CAP496	BPM/AN2	BPM/SM8	BPM/SM	BPM/SM5	BPM/SM5	BPM/SM	BSDC	SS2	SS5	SS5	SS4	SS4
25	SMAO3445.???	OVEN DOOR,CAP496 DROP DOWN	BPM/AN2	BPM/SM8	BPM/SM3	BPM/SM5	BPM/SM5	BPM/SM	BSDC	SS2	SS5		SS4	
25	SMAO3440.???	OVEN DOOR,CAP496 SIDE OPENING										SS5		SS4
27	SMAC0063	GRILL PAN ASSY - LARGE,DETACH	X	X	X	X	X	X	X	X	X	X	X	X
28	SPCO0292	SHELF,OVEN (CAP/MPR 445&496)	X	X	X	X	X	X	X	X	X	X	X	X
29	SPCC1186	HANDLE, DETACHABLE,GRILL PAN	X	X	X	X	X	X	X	X	X	X	X	X
30	SPCC0815	SCREW,FIXED BNR CAP, 0371	X	X	X	X	X	X	X	X	X	X	X	X
31	SPCO0307.???	HANDLE,ELLIPSE 390CRS	SA				SA	SA	SGD		SA	SA		
31	SMCO0391.???	HANDLE,HEADON 390CRS		SGD						SLV				

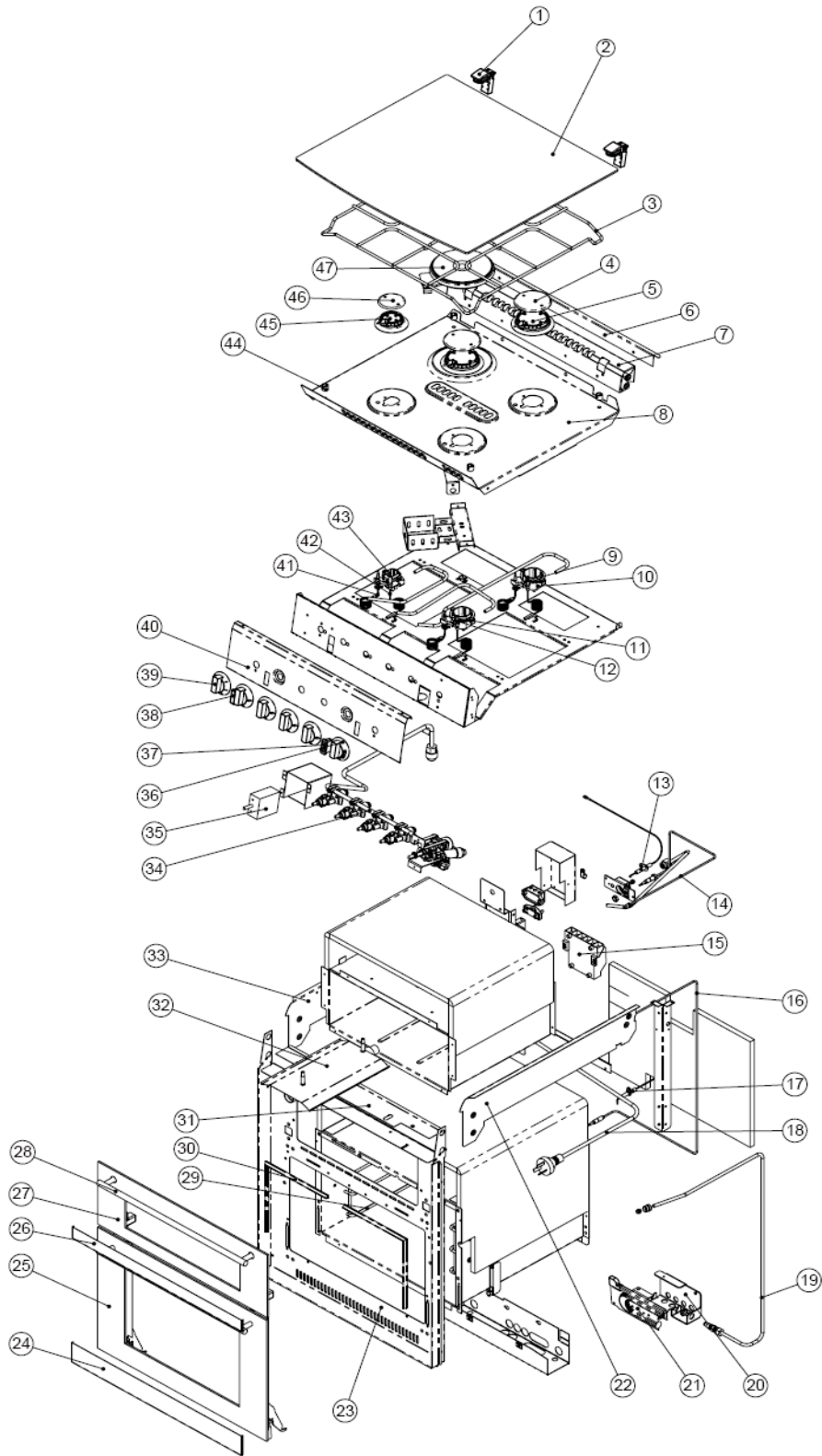
CAPRICE 4 BURNER

DRW No	Part Number	Description	72955Z	72956Z	72957Z	72970
1	SMCO3760.BK	TRIM,FRONT,CAPRICE 496 1/2 AUS BK	X	X	X	
1	SMCO3793.BK	TRIM,FRONT,CAPRICE 496 1/2 CRUSH BK				
1	SMCO3791.BK	TRIM,FRONT,CAPRICE 496 1/2 SAFE BK				X
1	SMCO3794.BK	TRIM,FRONT,CAPRICE 496 3/4 CRUSH BK				
1	SMCO3792.BK	TRIM,FRONT,CAPRICE 496 3/4 SAFE BK				
2	SMCO3964.BK	HEAT DEFLECTOR, FASCIA, EXTENDED, CAP BK	X	X	X	X
2	◆ SPCX0146	CLIP,J TYPE FOR NO 6 SCREW	X	X	X	X
2	◆ SPCX0175	WASHER, 18X4X1mm RED FIBRE	X	X	X	X
2	◆ SPCX0130.BK	SCREW, No 6X1/2 POZI PAN P/H MS CBK	X	X	X	X
2	◆ SPCX0183	WASHER, 8mm OD x 4mm ID x 2.5mm THK	X	X	X	X
3	SPCO0246	SEAL,OVEN DOOR MK3 FRONT FLUE SG	X	X	X	X
4	SMCO3750.BK	BEVEL FASCIA,CAPRICE 496 1/2/0,OGI RHFB BK				
4	SMCO3753.???	BEVEL FASCIA,CAPRICE 496 1/3/0,OGI AB			BSP	BSP
4	SMCO3754.BSP	BEVEL FASCIA,CAPRICE 496 1/3/0,OGIL BSP	X	X		
5	SPCC0590.??	KNOB, HOB/GR, 2 PIECE CR/BK	SA	SA	SA	
5	SPCC0619.BK	KNOB,CONTROL 2020 BK LAM				
5	SPCC0626.SA	KNOB,CONTROL F/C SATIN/BK LAM				X
5	SPCC0618.??	KNOB,HOB/GR SKIRT/LEVER				
7	SPCX0380	BUMP STOP,DIA 10x5mm THICK,SA				
8	SPCC0595.??	KNOB, OVEN, 2 PIECE CR/BK	SA	SA	SA	
8	SPCC0617.??	KNOB,OVEN SKIRT/LEVER				
9	SMCP3873.BK	HOB PANEL, CAPRICE496 1/2/0 RHFB BK				
9	SMCP3871.???	HOB PANEL, CAPRICE496 1/3/0	BS	BS	BS	BS
10	SPCC0825	BURNER CAP,DRILLED,AUX 0880/3	X	X	X	X
11	SPCC0824	FLAMESREADER,SR2,AUX 0925/3	X	X	X	X
12	SPCC0813	BURNER CAP, DRILLED,0881/3.1 (X3)	X	X	X	X
13	SPCC0812	FLAMESREADER, SR2, 1263/3/01 (X3)				X
15	SPCC0647	CLIP,PAN SUPPORT PTFE TOP FIX	X	X	X	X
17	SPCC2003.BK	HINGE,GLASS LID 2004 STYLE	X	X	X	X
18	SPCC0814	STUD, FIXED BNR CAP, 0658 (X8)	X	X	X	X
	◆ SPCX0339	WASHER, 4BA Red Fibre (for hob burners) (X8)	X	X	X	X
19	SMCO3769.BK	TRIM,REAR,HOB,SLIMLINE HINGES,CAP/MIN/TRI 496 BK	X	X	X	X
20	SMCO3767.BK	TRIM, HOB, BACK, CAPRICE 496 BK	X	X	X	X
21	SMCO3787.BK	TRIM,HOB,L/H SIDE,CAP/MIN/TRI, R12.8 PROFILE, BK				X
21	SMCO3780.BK	TRIM,L/H SIDE/SURROUND,CAPRICE 496 BK (AUS)	X	X		
21	SMCO3706.BK	TRIM, LH SIDE, CURVED, BK (AUS)			X	
22	SMCO3786.BK	TRIM,HOB,R/H SIDE,CAP/MIN/TRI, R12.8 PROFILE, BK				X
22	SMCO3781.BK	TRIM,R/H SIDE/SURROUND,CAPRICE 496 BK (AUS)	X	X		
22	SMCO3707.BK	TRIM, RH SIDE, CURVED, BK (AUS)			X	
23	SG990.??	GLASS,LID CAP MK3 496,				BK
23	SG992.BK	GLASS,LID CAPRICE MK3 496, BK/GR, PROTECT	X	X	X	
24	SMAO3425.???	GRILL DOOR,CAP496	BK4	BK4	BK4	SS2
25	SMAO3445.???	OVEN DOOR,CAP496 DROP DOWN	BK2	BK2	BK2	SS1
25	SMAO3440.???	OVEN DOOR,CAP496 SIDE OPENING				
27	SMAC0063	GRILL PAN ASSY - LARGE,DETACH	X	X	X	X
28	SPCO0292	SHELF,OVEN (CAP/MPR 445&496)	X	X	X	X
29	SPCC1186	HANDLE, DETACHABLE,GRILL PAN	X	X	X	X
30	SPCC0815	SCREW,FIXED BNR CAP, 0371	X	X	X	X
31	SPCO0307.???	HANDLE,ELLIPSE 390CRS				
31	SMCO0391.???	HANDLE,HEADON 390CRS				SLV

CAPRICE 4 BURNER

DRW No	Part Number	Description	72955Z	72956Z	72957Z	72970
31	SPCO0302.BN	HANDLE,KENSINGTON BRUSHED NICKEL 390CRS				
31	SPCO0334.???	HANDLE,OVAL LONG				
31	SPCO0308.S	HANDLE,T-BAR 12mm <->SS 390CRS	X	X	X	
31	SPCO0329.??	HANDLE,TUBE LONG				
	SPCC1232	BEZEL, 395mm, WITH ADHESIVE, TRIPLEX, BLACK	X	X		
	SMAO0064	BURNER ASSY WORGAS COMPLETE, OVEN	X	X	X	X
	SPCO0124	BUSH, HINGE (for side opening oven door)				
	SPCO0134	CATCH,HAFELE 245.54.701 (for lower door)				
	SPCO0140	CATCH,JETPRESS 41460-61 (for side opening ov/door)				
	SPCC1498	CLIP,FIXING,ELECTRODE	X	X	X	X
	SMCO0685	DOOR HINGE,LOWER 3200 SD OPEN, OVEN				
	SMCO0684	DOOR HINGE,UPPER 3200 SD OPEN, OVEN				
	SPCC1349	DUMMY SWITCH,RECT,BLK,BLANKING PLATE				
	SPCC1455	ELECTRODE, SPARK 600mm S2 SAB	X	X	X	X
	SPCC1457	ELECTRODE, SPARK 900mm S2 SAB	X	X	X	X
	SPCC1418	ELECTRODE,SPARK 300MM S/FIX (GRILL)	X	X	X	X
	SPCC1430	ELECTRODE,SPARK 650MM S/FIX (OVEN)	X	X	X	X
	SPCC1399	GENERATOR,SPARK IGB 60 (12F)	X	X	X	X
	SG1090	GLASS,INNER DOOR CAP MK3 4MM	X	X	X	X
	SMAC0056	GRILL ASSY, 2005, NO HOOD	X	X	X	X
	◆ SPCX0184	WASHER, STARLOCK 5MM	X	X	X	X
	SAC1467	HEATSHIELD,CLIP-ON,MK3, 90mm				
	SPCC0773	JET, No59 S222/059 (OVEN)				X
	SPCC0775	JET, No62 S222/062 (GRILL AND HOBS)	X	X	X	X
	SPCC0770	JET, No65 S222/065 (AUS - OVEN)	X	X	X	
	SPCO0980	LIGHT,OVEN 12V 77.912.2105.10	X			
	SPCX0163	LOCKNUT,M6 Brass coarse thread (for Hob T'couple)	X	X	X	X
	SMAO3460.BK	LOWER DOOR,PUSH,CAP496 BK				
	◆ SPCX0217	WASHER, DOMED CAP, STARLOCK (for lower door)				
	◆ SPCX0264	PIN RIVET (for lower door)				
	SPCO0138	STUD,OVEN DOOR CATCH S/S				
	SPCO0282	SUPPORT,OVEN SHELF(CARA)	X	X	X	X
	◆ SPCX0190	WASHER,STARLOCK 6MM DT6493	X	X	X	X
	SPCC0688	SUPPORT,PAN 4 MK3 STYLE CHROME	X	X	X	X
	SPCC1341	SWITCH,ROCKER,RECT,BLK,"LAMP"	X	X		
	SPCC1340	SWITCH,ROCKER,RECT,BLK,"SPARK"	X	X	X	X
	SMAC5658	TAP ASSY,CAPRICE 496 3BGF RHFB SAB REAR				
	SMAC5656	TAP ASSY,CAPRICE 496 4BGF SAB REAR		Z	Z	X
	SMAC5657	TAP ASSY,CAPRICE 496 4BGF SAB SHORT				
	◆ SPCC0728	TAP BURN FFD/8 FC 9131/1 0.34	X	X	X	X
	◆ SPCC0729	TAP GRIL FFD/8 FC 9131/1 0.45	X	X	X	X
	◆ SPCO0472	TAP,THERMOSTAT SABAF TS 9138/1	X	X	X	X
	SPCC1125	THERMOCOUPLE, GRILL, FASTON, 600MM	X	X	X	X
	SPCC1120	THERMOCOUPLE, OVEN, FASTON, 1000MM	X	X	X	X
	SPCC1130	THERMOCOUPLE, S2 BURNER, FASTON, 250MM	X	X	X	X
	SPCC1132	THERMOCOUPLE, S2 BURNER, FASTON, 450MM	X	X	X	X
	SPCC1190	TRIVET - GRILL PAN LARGE	X	X	X	X
	SPCC1211	BEZEL, SELF ADHESIVE (hob sides) (X2)		X		

CAPRICE DUAL FUEL - EXPLODED DRAWING (GENERIC)



CAPRICE Mk3 DUAL FUEL

MODELS

DRW	Part no.	Description	73155	73282	73283	73284	73285	73286	73287	73290	73300	73590	73890
1	SPCC2003.BK	HINGE, GLASS LID 2004 STYLE	X	X	X	X	X	X	X	X	X	X	X
2	SG990.BK	GLASS LID CAP MK3 496, BK/GR	X	X	X	X	X	X	X	X	X	X	X
2	SG992.BK	GLASS LID, CAP MK3 496 BK/GR PROTECT											
3	SPCC0689	SUPPORT, PAN MK3 D/FUEL CHROME	X	X	X	X	X	X	X	X	X	X	X
4	SPCC0813	BURNER CAP, DRILLED, 0881/3.1	X	X	X	X	X	X	X	X	X	X	X
5	SPCC0812	FLAMESPREADER, SR2, 1263/3/01	X	X	X	X	X	X	X	X	X	X	X
6	SMCO3767.BK	TRIM, HOB, BACK, CAPRICE 496 BK	X	X	X	X	X	X	X	X	X	X	X
7	SMCO3769.BK	TRIM, REAR, HOB, SLIMLINE HINGES, CAP/MIN/TRI 496 BK	X	X	X	X	X	X	X	X	X	X	X
8	SMCP3881.???	HOB PANEL, CAPRICE496 1/2/ELR	BS	BK	BK	BK				BK	BK	BK	BK
8	SMCP3883.BK	HOB PANEL, CAPRICE496 FR1/2/ELR BK					X	X	X				
9	SPCC1457	ELECTRODE, SPARK 900mm S2 SAB (HOB)	X	X	X	X	X	X	X	X	X	X	X
13	SPCC1418	ELECTRODE, SPARK 300MM S/FIX (GRILL)	X	X	X	X	X	X	X	X	X	X	X
14	SPCC1125	THERMOCOUPLE, GRILL, FASTON, 600MM	X	X	X	X	X	X	X	X	X	X	X
15	SPCC1399	GENERATOR, SPARK IGB 60 (12F)	X	X	X	X	X	X	X	X	X	X	X
16	SPCC1120	THERMOCOUPLE, OVEN, FASTON, 1000MM	X	X	X	X	X	X	X	X	X	X	X
17	SPCC1430	ELECTRODE, SPARK 650MM S/FIX (OVEN)	X	X	X	X	X	X	X	X	X	X	X
21	SMAO0064	BURNER ASSY WORGAS COMPLETE, OVEN	X	X	X	X	X	X	X	X	X	X	X
22	SMCO3786.BK	TRIM, HOB, R/H SIDE, CAP/MIN/TRI, R12.8 PROFILE, BK	X	X	X	X	X	X	X	X		X	X
22	SMCO3788.BK	TRIM, HOB, R/H SIDE, CAP/MIN/TRI, SQ PROFILE, BK									X		
22	SMCO3781.BK	TRIM, R/H SIDE/SURROUND, CAPRICE 496 BK (AUS)											
22	SMCO3707.BK	TRIM, RH SIDE, CURVED 496 BK (AUS)											
23	SMCO3760.BK	TRIM, FRONT, CAPRICE 496 1/2 AUS BK											
23	SMCO3793.BK	TRIM, FRONT, CAPRICE 496 1/2 CRUSH BK											
23	SMCO3791.BK	TRIM, FRONT, CAPRICE 496 1/2 SAFE BK											
23	SMCO3794.BK	TRIM, FRONT, CAPRICE 496 3/4 CRUSH BK		X	X	X	X	X	X				
23	SMCO3792.BK	TRIM, FRONT, CAPRICE 496 3/4 SAFE BK								X	X	X	X
25	SMAO3445.???	OVEN DOOR, CAP496 Drop Down	SS4								IGD	BSV/FN1	BBK/SV
25	SMAO3440.???	OVEN DOOR, CAP496 Side Open		GT/SVS1	GT/SVS1	GT/SVS1	GT/SVS2	GT/SVS3	GT/SVS5	GT/SVS4			
26	SPCO0336.CR	HANDLE END HERITAGE CHROME						X					
	◆ SPCO0342.CR	TUBE 16X365 MILD STEEL CHROME						X					
26	SPCC1186	HANDLE, DETACHABLE, GRILL PAN	X	X	X	X	X	X	X	X	X	X	X
26	SPCO0307.???	HANDLE, ELLIPSE 390CRS		X	X	X				BK	SGD	X	
26	SMCO0391.SLV	HANDLE, HEADON 390CRS SILVER											
26	SPCO0334.SGD	HANDLE, OVAL LONG SOFT GOLD					X						
26	SPCO0308.S	HANDLE, T-BAR 12mm <-SS 390CRS	X						X				X
27	SMAO3425.???	GRILL DOOR, CAP496	SS4	GT/SVS1	GT/SVS1	GT/SVS1	GT/SVS2	GT/SVS3	GT/SVS5	GT/SVS4	IGD	BSV/FN1	BBK/SV
30	SPCO0246	SEAL, OVEN DOOR MK3 FRONT FLUE SG	X	X	X	X	X	X	X	X	X	X	X
31	SMCO3964.BK	HEAT DEFLECTOR, FASCIA, EXTENDED, CAP BK	X	X	X	X	X	X	X	X	X	X	X
	◆ SPCX0146	CLIP, J TYPE FOR NO 6 SCREW	X	X	X	X	X	X	X	X	X	X	X
	◆ SPCX0183	WASHER, 8MM OD x 4MM ID X 2.5MM THK	X	X	X	X	X	X	X	X	X	X	X
	◆ SPCX0175	WASHER, 18X4X1mm RED FIBRE	X	X	X	X	X	X	X	X	X	X	X
	◆ SPCX0130.BK	SCREW, No6X1/2 POZI P/H MS CBK	X	X	X	X	X	X	X	X	X	X	X
32	SMAC0056	GRILL ASSY, 2005, NO HOOD	X	X	X	X	X	X	X	X	X	X	X
33	SMCO3787.BK	TRIM, HOB, L/H SIDE, CAP/MIN/TRI, R12.8 PROFILE, BK	X	X	X	X	X	X	X	X		X	X
33	SMCO3789.BK	TRIM, HOB, L/H SIDE, CAP/MIN/TRI, SQ PROFILE, BK									X		
33	SMCO3780.BK	TRIM, L/H SIDE/SURROUND, CAPRICE 496 BK (AUS)											
33	SMCO3706.BK	TRIM, LH SIDE, CURVED 496 BK (AUS)											
34	SMAC5652	TAP ASSY, CAPRICE 496 3BGF RL SAB REAR								X			

CAPRICE Mk3 DUAL FUEL

MODELS

DRW	Part no.	Description	73155	73282	73283	73284	73285	73286	73287	73290	73300	73590	73890
34	SMAC5651	TAP ASSY,CAPRICE 496 3BGF RL SAB REAR/DOWN	X	X	X	X	X	X	X		X	X	X
	◆ SPCC0728	TAP BURN FFD/8 FC 9131/1 0.34	X	X	X	X	X	X	X	X	X	X	X
	◆ SPCC0729	TAP GRIL FFD/8 FC 9131/1 0.45	X	X	X	X	X	X	X	X	X	X	X
	◆ SPCO0472	TAP,THERMOSTAT SABAF TS 9138/1	X	X	X	X	X	X	X	X	X	X	X
35	SPCC0948	SWITCH, 46.27266.500 HTPLT	X	X	X	X	X	X	X	X	X	X	X
36	SPCC0595.???	KNOB, OVEN, 2 PIECE	SA					CR	SA	CR			
36	SPCC0617.SA	KNOB,OVEN SKIRT/LEVER SATIN		X	X	X	X				X		X
37	SPCC1340	SWITCH,ROCKER,RECT,BLK,"SPARK"	X	X	X	X	X	X	X	X	X	X	X
38	SPCC0580.??	KNOB, BLANK, 2 PIECE							SA	CR			
38	SPCC0590.???	KNOB, HOB/GR, 2 PIECE	SA					CR					
38	SPCC0626.SA	KNOB,CONTROL F/C SATIN/BK LAM										X	
38	SPCC0618.SA	KNOB,HOB/GR SKIRT/LEVER SATIN		X	X	X	X				X		X
39	SPCC0585.???	KNOB, H'PLT, 2 PIECE	SA					CR	SA	CR			
39	SPCC0613.SA	KNOB,H'PLATE SKIRT/LEVER SATIN		X	X	X	X				SA		X
40	SMCO3733.???	BEVEL FASCIA, CAPRICE 496DF 1/2/0	BK	BSP	BSP	BSP	BK	BK	BK	BSP	GBK/LUN	BK	GBK/LUN
40	SMCO3732.BSP	BEVEL FASCIA,CAPRICE 496DF 1/2/0,OGIL BSP											
41	SPCC1130	THERMOCOUPLE, S2 BURNER, FASTON, 250MM	X	X	X	X	X	X	X	X	X	X	X
42	SPCC1455	ELECTRODE, SPARK 600mm S2 SAB (HOB)	X	X	X	X	X	X	X	X	X	X	X
44	SPCC0647	CLIP,PAN SUPPORT PTFE TOP FIX	X	X	X	X	X	X	X	X	X	X	X
45	SPCC0824	FLAMESPREADER,SR2,AUX 0925/3	X	X	X	X	X	X	X	X	X	X	X
46	SPCC0825	BURNER CAP,DRILLED,AUX 0880/3	X	X	X	X	X	X	X	X	X	X	X
47	SPCC0915	HOTPLATE, 800W	X	X	X	X	X	X	X	X	X	X	X
47	SPCC0916	HOTPLATE, 1000W											
	SPCC1232	BEZEL, 395mm, WITH ADHESIVE, TRIPLEX, BLACK											
	SPCX0389	BUMP STOP,PUSH FIT,DIA9.5x4.0	X	X	X	X	X	X	X	X	X	X	X
	SPCO0124	BUSH, HINGE (for side opening oven door)		X		X	X	X	X	X			
	SPCO0134	CATCH,HAFELE 245.54.701 (for lower door)	X	X	X	X	X	X	X	X	X	X	X
	SPCO0140	CATCH,JETPRESS 41460-61 (for side opening oven door)		X		X	X	X	X	X	X		
	SPCC1498	CLIP,FIXING,ELECTRODE		X	X	X	X	X	X	X	X	X	X
	SMCO0685	DOOR HINGE,LOWER 3200 SD OPEN OVEN,		X		X	X	X	X	X			
	SMCO0684	DOOR HINGE,UPPER 3200 SD OPEN OVEN,		X		X	X	X	X	X			
	SG1090	GLASS,INNER DOOR CAP MK3 4MM (OVEN DOOR)	X	X	X	X	X	X	X	X	X	X	X
	SMAC0063	GRILL PAN ASSY - LARGE,DETACH	X	X	X	X	X	X	X	X	X	X	X
	SPCC0773	JET, No59 S222/059 (OVEN)	X	X	X	X	X	X	X	X	X	X	X
	SPCC0775	JET, No62 S222/062 (GRILL AND HOB)	X	X	X	X	X	X	X	X	X	X	X
	SPCC0770	JET, No65 S222/065 (AUS - OVEN)											
	SPCC0975	LAMP,SIGNAL,RECT,SNAP-FIT,RED	X	X	X	X	X	X	X	X	X	X	X
	SPCO0980	LIGHT,OVEN 12V 77.912.2105.10											
	SPCX0163	LOCKNUT,M6 BRASS COARSE THREAD (Hob T'couples)		X	X	X	X	X	X	X	X	X	X
	SMAO3460.???	LOWER DOOR,PUSH,CAP496	SS	GT/SVS	GT/SVS	GT/SVS	GT/SVS	GT/SVS	GT/SVS	GT/SVS	IGD	BSV/FN	BBK/SV
	◆ SPCX0264	PIN , RIVET x2	X	X	X	X	X	X	X	X	X	X	X
	◆ SPCX0217	WASHER, DOMED CAP, STARLOCK x2	X	X	X	X	X	X	X	X	X	X	X
	SPCC0815	SCREW,FIXED BNR CAP, 0371	X	X	X	X	X	X	X	X	X	X	X
	SPCO0292	SHELF,OVEN (CAP/MPR 445&496)	X	X	X	X	X	X	X	X	X	X	X
	SPCC0814	STUD, FIXED BNR CAP, 0658	X	X	X	X	X	X	X	X	X	X	X
	◆ SPCX0339	WASHER, 4BA RED FIBRE (for stud, fixed bnr cap) x2	X	X	X	X	X	X	X	X	X	X	X
	SPCO0138	STUD,OVEN DOOR CATCH S/S		X		X	X	X	X	X			

CAPRICE Mk3 DUAL FUEL

DRW	Part no.	Description	73891	73900	73910	73915	73920	73952	73953	73954	73955Z	73956Z	73957Z	73970
34	SMAC5651	TAP ASSY,CAPRICE 496 3BGF RL SAB REAR/DOWN	X	X	X		X	X	X	X	Z	Z	Z	X
	◆ SPCC0728	TAP BURN FFD/8 FC 9131/1 0.34	X	X	X	X	X	X	X	X	X	X	X	X
	◆ SPCC0729	TAP GRIL FFD/8 FC 9131/1 0.45	X	X	X	X	X	X	X	X	X	X	X	X
	◆ SPC00472	TAP,THERMOSTAT SABAF TS 9138/1	X	X	X	X	X	X	X	X	X	X	X	X
35	SPCC0948	SWITCH, 46.27266.500 HTPLT	X	X	X	X	X	X	X	X	X	X	X	X
36	SPCC0595.???	KNOB, OVEN, 2 PIECE			SA			SA	SA	SA	SA	SA	SA	
36	SPCC0617.SA	KNOB,OVEN SKIRT/LEVER SATIN	X			X	X							
37	SPCC1340	SWITCH,ROCKER,RECT,BLK,"SPARK"	X	X	X	X	X	X	X	X	X	X	X	X
38	SPCC0580.??	KNOB, BLANK, 2 PIECE			X									
38	SPCC0590.???	KNOB, HOB/GR, 2 PIECE			SA			SA	SA	SA	SA	SA	SA	
38	SPCC0626.SA	KNOB,CONTROL F/C SATIN/BK LAM		X										X
38	SPCC0618.SA	KNOB,HOB/GR SKIRT/LEVER SATIN	X			X	X							
39	SPCC0585.???	KNOB, H'PLT, 2 PIECE						SA	SA	SA	SA	SA	SA	
39	SPCC0613.SA	KNOB,H'PLATE SKIRT/LEVER SATIN	X				X							
40	SMCO3733.???	BEVEL FASCIA, CAPRICE 496DF 1/2/0	GBK/LUN	GBK/LUN	BK	BSP	GBK/LUN	BSP	BSP	BSP			BSP	BSP
40	SMCO3732.BSP	BEVEL FASCIA,CAPRICE 496DF 1/2/0,OGIL BSP									X	X		
41	SPCC1130	THERMOCOUPLE, S2 BURNER, FASTON, 250MM	X	X	X	X	X	X	X	X	X	X	X	X
42	SPCC1455	ELECTRODE, SPARK 600mm S2 SAB (HOB)	X	X	X	X	X	X	X	X	X	X	X	X
44	SPCC0647	CLIP,PAN SUPPORT PTFE TOP FIX	X	X	X	X	X	X	X	X	X	X	X	X
45	SPCC0824	FLAMESPREADER,SR2,AUX 0925/3	X	X	X	X	X	X	X	X	X	X	X	X
46	SPCC0825	BURNER CAP,DRILLED,AUX 0880/3	X	X	X	X	X	X	X	X	X	X	X	X
47	SPCC0915	HOTPLATE, 800W	X	X	X	X	X	X	X	X				X
47	SPCC0916	HOTPLATE, 1000W									X	X	X	
	SPCC1232	BEZEL, 395mm, WITH ADHESIVE, TRIPLEX, BLACK									X	X		
	SPCX0389	BUMP STOP,PUSH FIT,DIA9.5x4.0	X	X	X	X	X	X	X	X	X	X	X	X
	SPCO0124	BUSH, HINGE (for side opening oven door)							X	X				
	SPCO0134	CATCH,HAFELE 245.54.701 (for lower door)	X	X		X	X	X	X	X				
	SPCO0140	CATCH,JETPRESS 41460-61 (for side opening oven door)							X	X				
	SPCC1498	CLIP,FIXING,ELECTRODE	X	X	X	X	X	X	X	X	X	X	X	X
	SMCO0685	DOOR HINGE,LOWER 3200 SD OPEN OVEN,							X	X				
	SMCO0684	DOOR HINGE,UPPER 3200 SD OPEN OVEN,							X	X				
	SG1090	GLASS,INNER DOOR CAP MK3 4MM (OVEN DOOR)	X	X	X	X	X	X	X	X	X	X	X	X
	SMAC0063	GRILL PAN ASSY - LARGE,DETACH	X	X	X	X	X	X	X	X	X	X	X	X
	SPCC0773	JET, No59 S222/059 (OVEN)	X	X	X	X	X	X	X	X				X
	SPCC0775	JET, No62 S222/062 (GRILL AND HOB)	X	X	X	X	X	X	X	X	X	X	X	X
	SPCC0770	JET, No65 S222/065 (AUS - OVEN)									X	X	X	
	SPCC0975	LAMP,SIGNAL,RECT,SNAP-FIT,RED	X	X	X	X	X	X	X	X	X	X	X	X
	SPCO0980	LIGHT,OVEN 12V 77.912.2105.10									X	X		
	SPCX0163	LOCKNUT,M6 BRASS COARSE THREAD (Hob T'couples)	X	X	X	X	X	X	X	X	X	X	X	X
	SMAO3460.???	LOWER DOOR,PUSH,CAP496	BBK/SV	BK/SS		BK/SVS	BK/SVS	BK	BK	BK				
	◆ SPCX0264	PIN , RIVET x2	X	X		X	X	X	X	X				
	◆ SPCX0217	WASHER, DOMED CAP, STARLOCK x2	X	X		X	X	X	X	X				
	SPCC0815	SCREW,FIXED BNR CAP, 0371	X	X	X	X	X	X	X	X	X	X	X	X
	SPCO0292	SHELF,OVEN (CAP/MPR 445&496)	X	X	X	X	X	X	X	X	X	X	X	X
	SPCC0814	STUD, FIXED BNR CAP, 0658	X	X	X	X	X	X	X	X	X	X	X	X
	◆ SPCX0339	WASHER, 4BA RED FIBRE (for stud, fixed bnr cap) x2	X	X	X	X	X	X	X	X	X	X	X	X
	SPCO0138	STUD,OVEN DOOR CATCH S/S							X	X				

COCINA EXPLODED VIEW

IMPORTANT INFORMATION

Cocina ovens have been built with two different sets of gas taps, burners and thermocouples.

The Cocina Serial Number changeover was 10 44 361658001

10 Indicates year of manufacture 2010

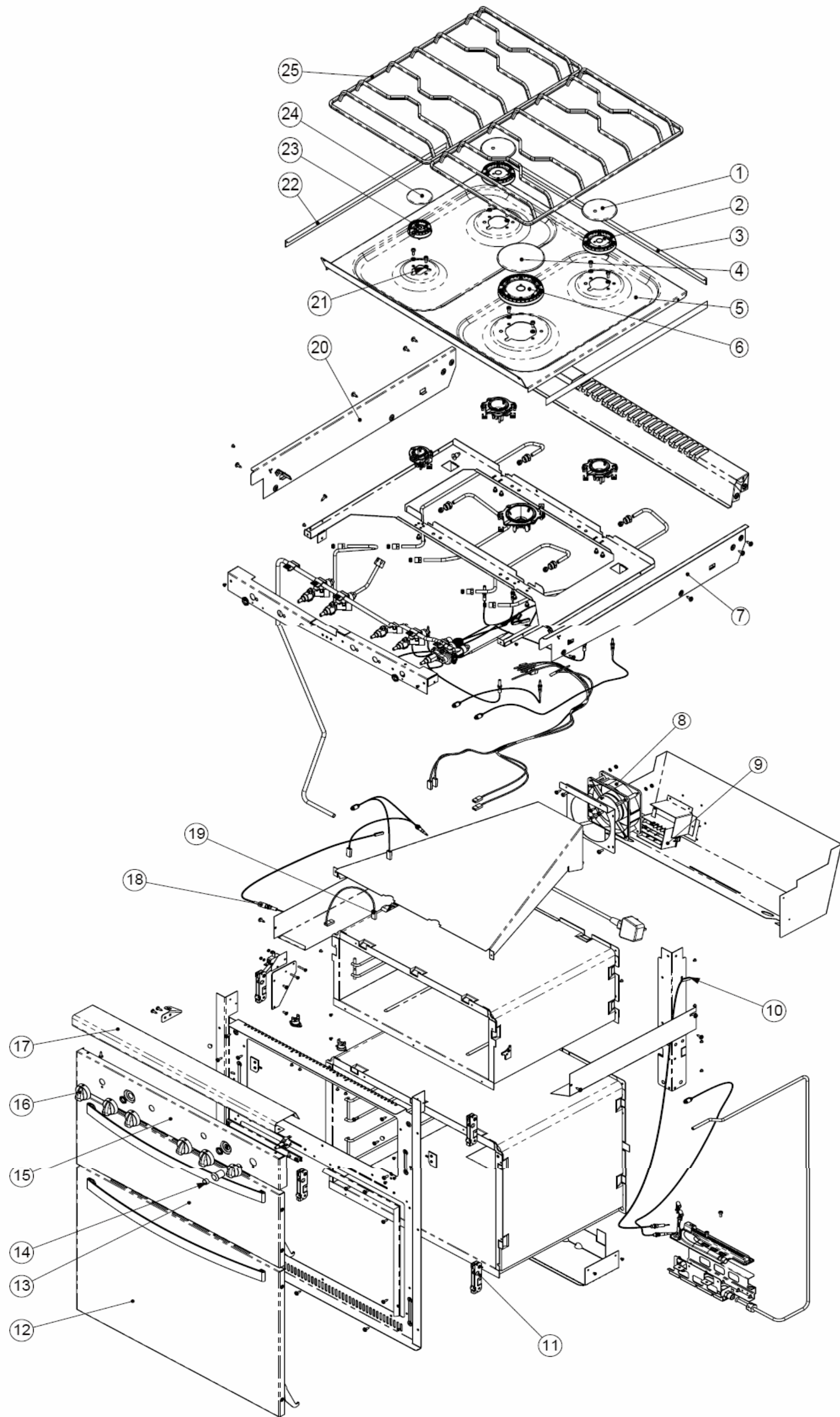
44 Indicates week of manufacture

361658001 Indicates unique serial number

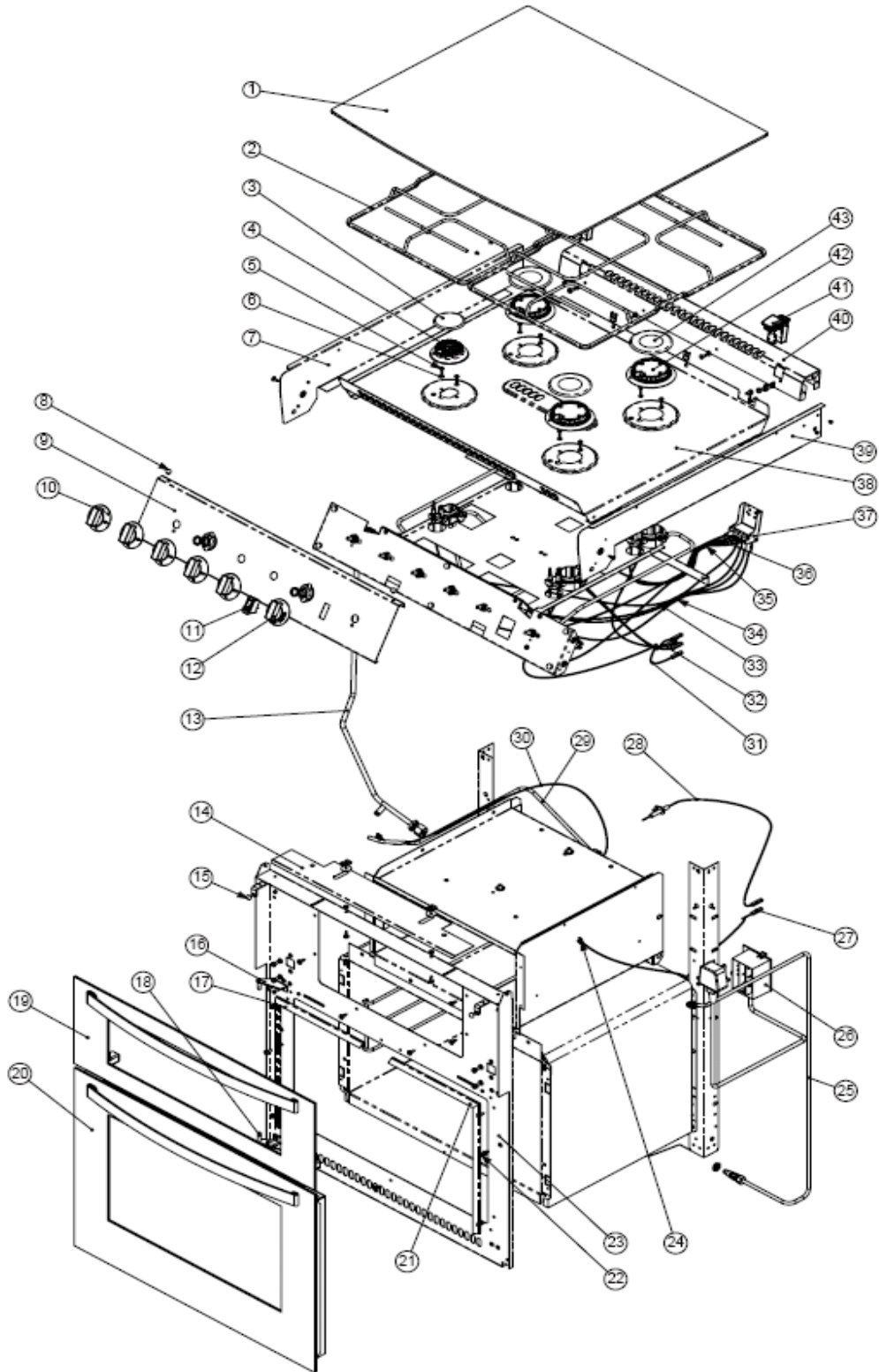
For all serial number before this time where week is less than 44 in year 10 **please use the standard parts shown on the parts lists**

For all serial numbers after this time where week number is equal to or greater than 44 in 2010
or all subsequent years **please use the alternative items shown in green shade on the parts list**

Exploded Drawing



ENIGMA (SOH46000) - EXPLODED DRAWING (GENERIC)

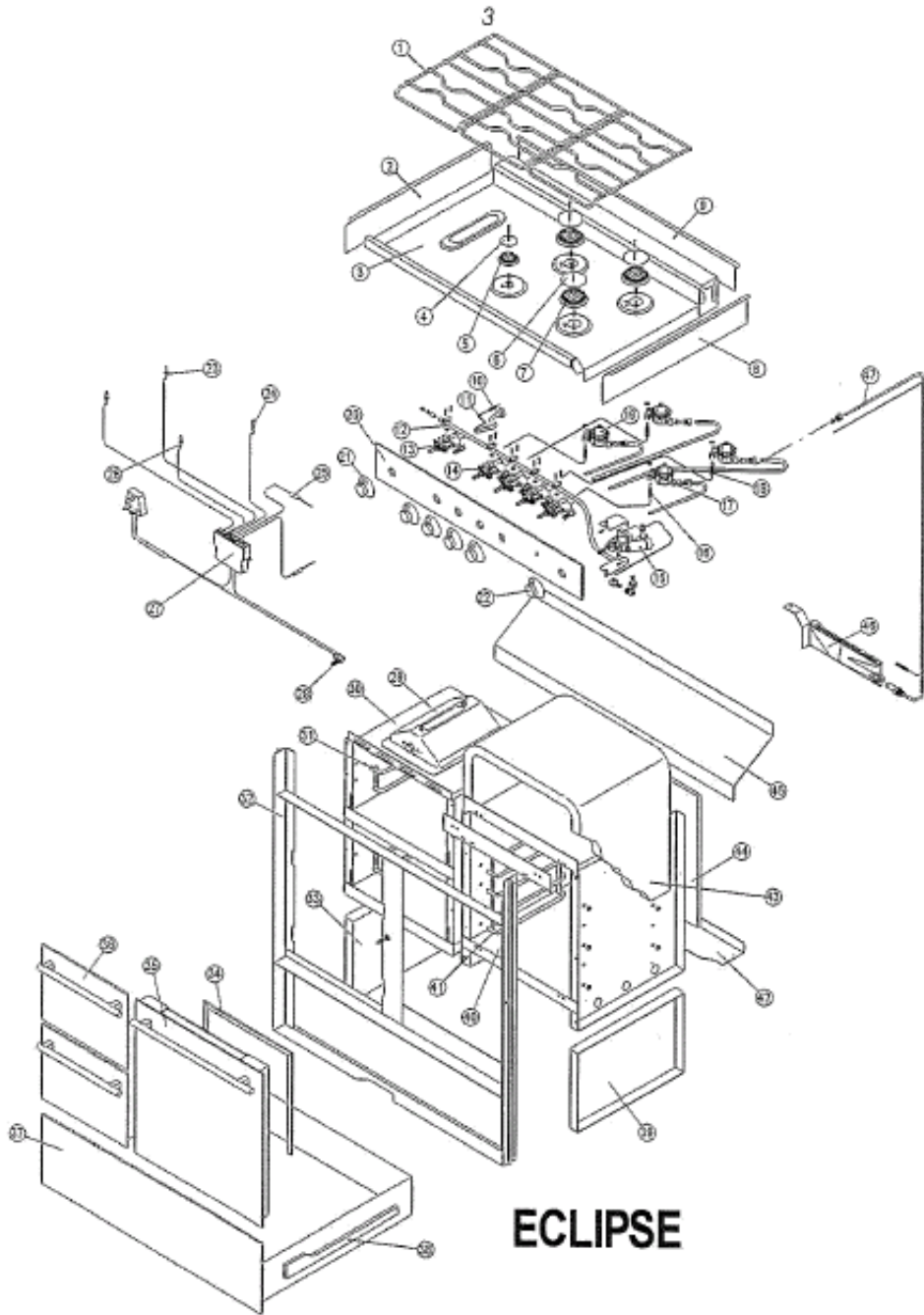


ENIGMA (SOH46000)

MODELS

DRW No	PART CODE	DESCRIPTION	46100	46120	46286	46351	46370	46371	46800	46810	46811	46900	46901	46904	46930
21	SPCO0251	Seal, Oven Door - Enigma R/H	x	x	x	x	x	x	x	x	x	x	x	x	x
22	SPCO0139	Stud, oven door catch	x	x	x	x	x	x	x	x	x	x	x	x	x
23	SMCO3861.BK	Trim, full front	x	x	x	x	x	x	x	x	x	x	x	x	x
24	SPCC1121	Thermocouple, Oven, faston 1300mm	x	x	x	x	x	x	x	x	x	x	x	x	x
26	SPCC1391	Generator, SI 230v	x	x	x	x	x	x	x	x	x	x	x	x	x
27	SPCC1430	Electrode, Spark 650mm (oven)	x	x	x		x	x	x	x	x	x	x	x	x
28	SPCC1417	Electrode, Spark 450mm (grill)	x	x	x		x	x	x	x	x	x	x	x	x
30	SPCC1125	Thermocouple, Grill, faston 600mm	x	x	x	x	x	x	x	x	x	x	x	x	x
34	SPCC1092	Extension Lead, switch - tap, 600mm					x			x	x			x	
35	SPCC1110	Thermocouple, S2, burner - switch, 320mm					x			x	x			x	
35	SPCC1130	Thermocouple, S2, burner, faston 250mm	x	x	x	x		x	x			x	x		x
36	SPCC1112	Thermcouple, S2, burner - switch, 600mm					x			x	x			x	
36	SPCC1132	Thermocouple, S2 burner, faston, 450mm	x	x	x	x		x	x			x	x		x
37	SMAC3120	Switch Assembly, 240v shut off					x			x	x			x	
38	SMCP3071.BK	Hob Panel, REM, ENI600 1/3/0 BK	x	x	x	x	x	x	x	x	x	x	x	x	x
39	SMCO3866.BK	Trim, Hob Surround, 600D R/H Side	x	x	x	x	x	x	x	x	x	x	x	x	x
40	SMCO3064.BK	Trim, Rear Hob, ENI600 BK	x	x	x	x		x	x			x	x		x
40	SMCO3868.BK	Trim, Rear Hob, Slimline Hinges					x			x	x			x	
41	SPCC2003.BK	Hinge, Glass Lid 2004 style					x			x	x			x	
42	SPCC0802	Flamespreader, Sab S2, Skirt	x	x	x	x	x	x	x	x	x	x	x	x	x
43	SPCC0803	Burner Cap, Sab S2	x	x	x	x	x	x	x	x	x	x	x	x	x
	SMAO0064	Oven Burner Assembly	x	x	x	x	x	x	x	x	x	x	x	x	x
	SMAC0056	Grill Burner Assembly	x	x	x	x	x	x	x	x	x	x	x	x	x
	◆ SPCX0190	Washer, Starlock 6mm	x	x	x	x	x	x	x	x	x	x	x	x	x
	SPCC0775	Jet, No.62 (Grill & Hob)	x	x	x	x	x	x	x	x	x	x	x	x	x
	SPCC0770	Jet, No.65 (oven)	x	x	x	x	x	x	x	x	x	x	x	x	x
	SPCO0295	Oven Shelf	x	x	x	x	x	x	x	x	x	x	x	x	x
	SPCC1453	Electrode, Spark 300mm (hob)	x	x	x		x	x	x	x	x	x	x	x	x
	SPCC1455	Electrode, Spark 600mm (hob)	x	x	x		x	x	x	x	x	x	x	x	x
	◆ SPCC1498	Clip, fixing, electrode	x	x	x		x	x	x	x	x	x	x	x	x
	SPCC1113	Thermocouple, S2, burner-switch, 750mm					x			x	x			x	

ECLIPSE COOKER - EXPLODED DRAWING (GENERIC)



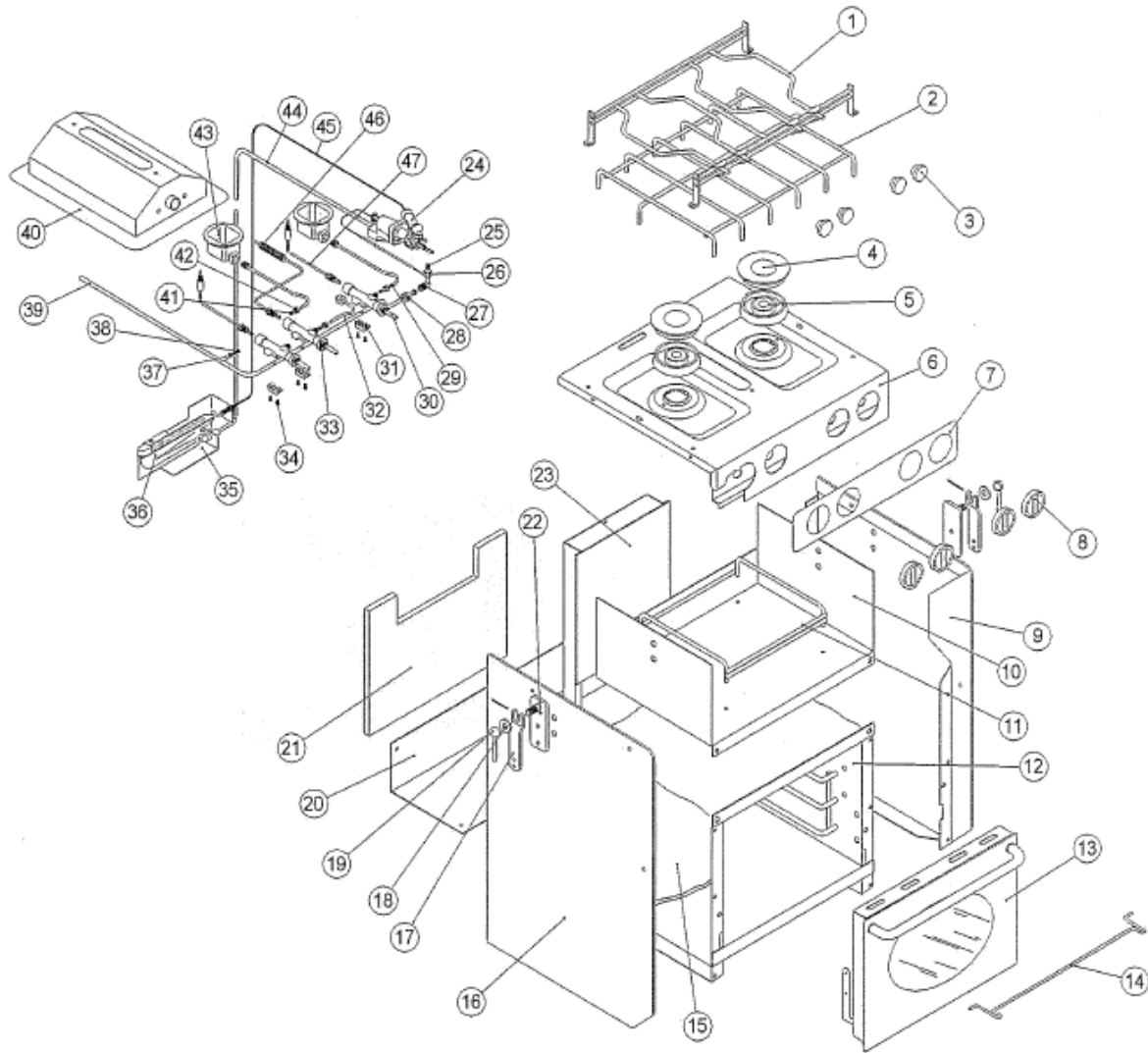
ECLIPSE (SOH)

DRW No.	PART CODE	DESCRIPTION	MODELS		
			78975	79355	79975
1	SPCC0665.EN	Support, Pan ATR880 BR EN	x	x	x
2	SMCO2265/1.BK	Trim, Hob Sur, ATR880 LH BK	x		
2	SMCO2275/1.BK	Trim, Hob Sur, ECL880 LH BK		x	x
3	SMCP2785.BK	Press, 2040 4BGFI ATR880 MF BK	x	x	x
4	SPCC0823	Burner Cap, SAB S2, Aux	x	x	x
5	SPCC0822	Flamespreader, SAB S2, Aux, Skirt	x	x	x
6	SPCC0803	Burner Cap, SAB S2, SR	x	x	x
7	SPCC0802	Flamespreader, SAB S2, SR, Skirt	x	x	x
8	SMCO2265/2.BK	Trim, Hob Sur, ATR880 RH BK	x		
8	SMCO2275/2.BK	Trim, Hob Sur, ECL880 RH BK		x	x
9	SMCO2265/3.BK	Trim, Hob Sur, ATR880 Back BK	x	x	x
10	SPCC1125	Thermocouple, Grill, Faston, 600mm	x	x	x
12	SMAC5496	Tap/Manifold Assy, ATR880 SAB Rear	x	x	x
13	SPCC0729	Tap Grill FFD/8 0.45	x	x	x
14	SPCC0728	Tap Burn FFD/8 0.34	x	x	x
15	SPCO0476	Tap, Thermostat	x	x	x
16	SPCC1130	Thermocouple, S2 Burner, Faston, 250mm	x	x	x
18	SPCC1132	Thermocouple, S2 Burner, Faston, 450mm	x	x	x
	◆ SPCX0163	Locknut, M6 Brass coarse thread (for 1130/32)	x	x	x
20	SMCO2254.BK	Bevel Fascia, ECL880	x		
20	SMCO2258.BK	Bevel Fascia, ECL880		x	x
21	SPCC0614.CR	Knob, Blank skirt/lever	x		x
21	SPCC0580.GD	Knob, Blank, 2 piece GD/BK		x	
23	SPCC1457	Electrode, Spark, 900mm	x	x	x
24	SPCC1453	Electrode, Spark, 300mm	x	x	x
25	SPCC1419	Electrode, Spark 1500mm S/Fix (Grill)	x	x	x
26	SPCC1455	Electrode, Spark, 600mm	x	x	x
	◆ SPCC1498	Clip, Fixing, Electrode (for hob electrodes)	x	x	x
	◆ SPCC1499	Gasket, Electrode for hob electrodes)	x	x	x
27	SPCC1391	Generator, SI 230v	x	x	x
29	SMAC0052	Grill Assy, 2005, no hood	x	x	x
	◆ SPCX0190	Washer, starlock 6mm (for grill burner)	x	x	x
31	SPCO0283	Support, Grill Shelf	x	x	x
	◆ SPCX0184	Washer, starlock 5mm (for shelf support)	x	x	x
32	SMAO0290.BK	Trim Assy, ATR880 ST1 BK	x	x	x
34	SPCO0249	Seal, Oven Door	x	x	x
35	SMAO2235.???	Oven Door ATR880	SS1	FPG	SS1
	◆ SPCO0433	Glass, Oven Door Inner	x	x	x
	◆ SPCO0124	Bush Hinge (for oven door)	x	x	x
	◆ SPCO0140	Catch, Jetpress (for oven door)	x	x	x
36	SMAO2215.???	Grill/Warm Door ATR880	SS1	FPG	SS1
	◆ SPCO0245	Grill/Warm Door Hinge	x	x	x
37	SMAO2245.???	Drawer Front Assy ATR880	SS	FPG	SS
41	SPCO0182	Support, Oven shelf	x	x	x
	◆ SPCX0184	Washer, starlock 5mm (for shelf support)	x	x	x
46	SMAO0064	Burner Assy, complete, oven	x	x	x
	SPCO0138	Stud, Oven Door catch	x	x	x
	◆ SPCX0187	Washer, Plain (for door stud)	x	x	x
	SPCC0990	Clock/Timer, 230v Green VFD	x	x	x
	◆ SPCC0980.BK	Button, Clock/Timer, Gloss Black	x	x	x
	SPCC1340	Switch, rocker, rect, BLK, "Spark"	x	x	x
	SPCC1341	Switch, rocker, rect, BLK, "Lamp"	x	x	x
	SPCO0985	Light, Oven 230v	x	x	x
	SPCC1423	Electrode, Spark, 1500mm S/Fix (oven)	x	x	x

ECLIPSE (SOH)

DRW No.	PART CODE	DESCRIPTION	MODELS		
			78975	79355	79975
	SMAO0684	Oven Door Hinge, Upper	x	x	x
	SMAO0685	Oven Door Hinge, Lower	x	x	x
	◆ SPCX0119	Screw, M4x12 Pozi (for oven door hinges)	x	x	x
	SPCO0304.CR	Tube, Chrome Door Handle	x		x
	SPCO0336.CR	Handle end, Heritage chrome, Door	x		x
	SMCO0305.BK	Standoff, range door handle, black		x	
	SPCO0290	Shelf, Grill/Warm	x	x	x
	SPCO0185	Shelf, Oven	x	x	x
	SMAC0063	Grill Pan Assy - Large, Detach	x	x	x
	SPCC1186	Handle, Detachable, Grill Pan	x	x	x
	SPCC1190	Trivet, Grill Pan, Large	x	x	x
	SMAC3003	Element, Warm floor		x	x
	SPCO0972	Cut Out, Thermal		x	x
	SPCC1345	Switch, Lit Rocker, rect, BLK/Red, "0.1"		x	x

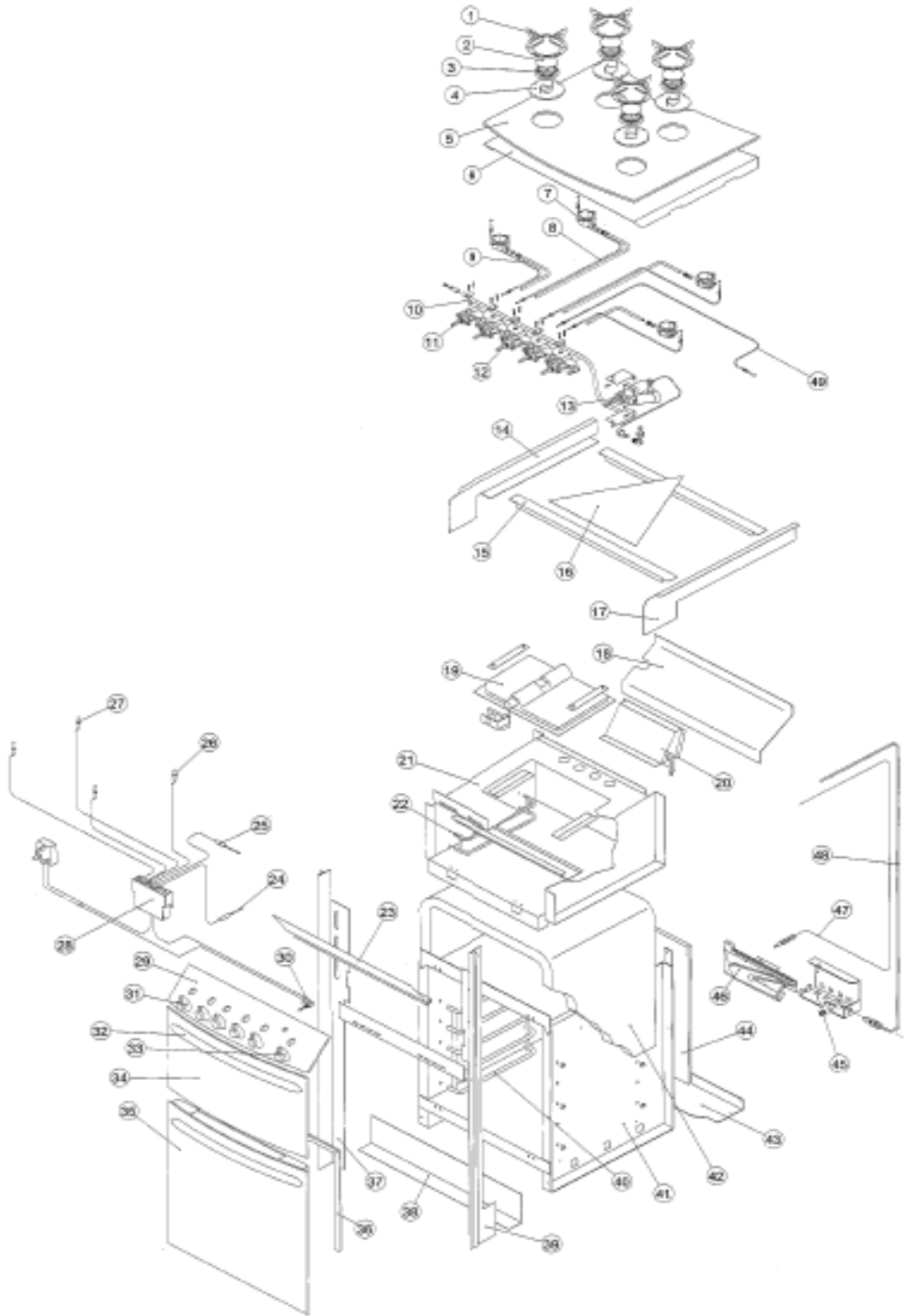
NELSON MARINE COOKER - EXPLODED DRAWING (GENERIC)



NELSON MARINE COOKER (SOH)- SPARES LIST

DRW No	PART CODE	DESCRIPTION	MODEL		
			1500	1505	1506
1	SMAC0055	Gimbal & Fiddle Rail Assy, Nelson	x		
2	SPCC0640	Support, Pan 2B F/C	x	x	x
3	SPCX0360	Knob, Star Black	x		
4	SPCC0806	Burner Crown & Cap	x	x	x
5	SPCC0807	Burner Support	x	x	x
6	SMCP2570	Pressing, ov/htpt 2BGF SS Nel Sab	x	x	x
7	SPCC1598	Fascia, 2BG/Oven Nelson	x	x	
7	SPCC1599	Fascia, 2BG/Oven Nelson/Gasquip			x
8	SPCC0622	Knob, Control 854f recessed BR	x	x	x
11	SPCO0520	Cradle, Grill Pan	x	x	x
13	SMAO0040.BK	Oven Door Assembly	x	x	x
	◆ SPCO0735	Glass, door inner	x	x	x
	◆ SPCO0307.IN	Handle, Ellipse 390 CRS IN	x	x	x
14	SMCO0721	Restraint, Oven Door	x	x	x
24	SPCO0451	Tap, Thermostat	x	x	x
30	SPCC0729	Tap, Grill FFD/8mm FC	x	x	x
33	SPCC0728	Tap, Burn FFD/8mm FC	x	x	x
36	SMAO0062	Burner Assembly, Oven	x	x	x
39	SMAO0058	Tap/Manifold Assembly, 2BGF Nelson	x	x	Z
40	SMAC0052	Grill Burner Assembly, 2005, Hood	x	x	x
	◆ SPCX0190	Washer, Starlock 6mm	x	x	x
45	SPCO0158	Thermocouple, Oven 1000mm	x	x	x
46	SPCC1127	Thermocouple, Grill, Faston, 320mm	x	x	x
47	SPCC1141	Thermocouple, S1 Burner, Faston 320mm	x	x	x
	◆ SPCX0338	Washer, 9.4xSuit (for hob thermocouple)	x	x	x
	◆ SPCX0165	Locknut, M6 Brass Fine Thread (for hob t'couple)	x	x	x
	SPCO0282	Support, oven shelf	x	x	x
	◆ SPCX0184	Washer, Starlock 5mm	x	x	x
	SPCC0773	Jet, .59 (oven)	x	x	x
	SPCC0775	Jet, .62 (hob/grill)	x	x	x
	SPCC0641	Clip, Pan Support Type	x	x	x
	SPCO0245	Seal, Oven Door	x	x	x
	SPCO00287	Shelf, Oven	x	x	x
	SPCO0186	Tray, Oven	x	x	x
	SPCO0187	Dish, Oven Meat	x	x	x
	SMAC0066	Grill Pan Assy - Long, Detachable	x	x	x
	SPCC1186	Handle, detachable, grill pan	x	x	x
	SPCC1195	Trivet, grill pan	x	x	x

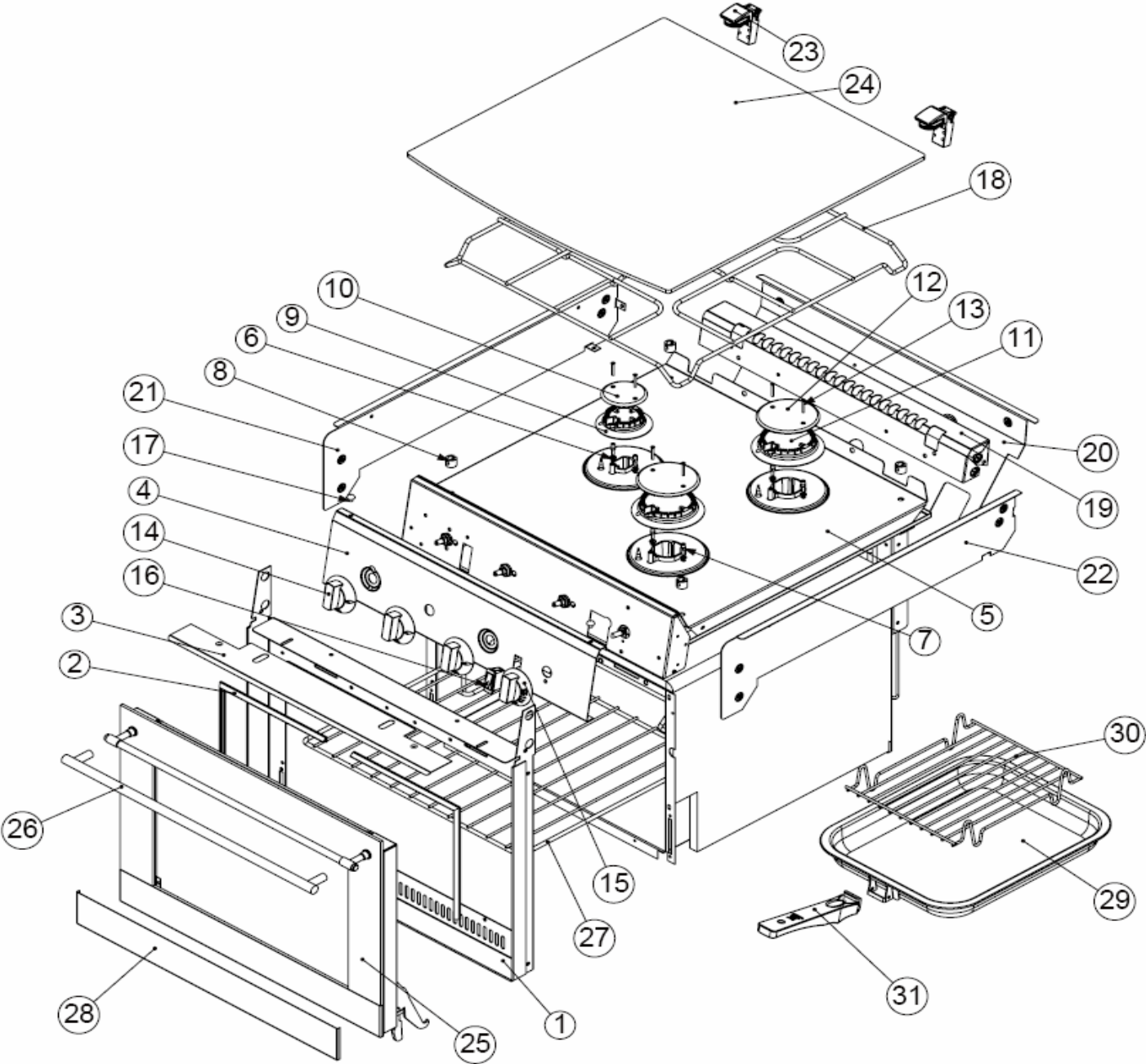
PRODIGY 600 SOH88950 - EXPLODED DRAWING



PRODIGY 600 - SOH88950

DRW No.	PART CODE	DESCRIPTION	MODELS	
			88950	88950NG
1	SPCC0686.EN	Support, Pan Fig. 8	x	x
2	SPCC0803	Burner Cap	x	x
3	SPCC0802	Flamespreader, Sab S2, SR Skirt	x	x
5	SMAO1800.SS/BK	Assy, Hobtop, PRO600 4B SBKG	x	x
8	SPCC1132	Thermocouple, S2 Burner, Faston 450mm	x	x
	◆ SPCX0163	Locknut, M6 Brass Coarse Thread	x	x
10	SMAC5486	Tap/Manifold Assembly	x	NG
11	SPCC0728	Tap Burn, FFD/8 FC 9131/1 0.34	x	
12	SPCC0729	Tap Grill, FFD/8 FC 9131/1 0.45	x	x
13	SPCO0454	Tap, Thermostat	x	x
14	SMCO1865/1.BK	Trim, Hob Sup, PRO600 LH BK	x	x
17	SMCO1865/2.BK	Trim, Hob Sup, PRO600 RH BK	x	x
19	SMAC0052	Grill Assy, 2005, Hood	x	x
	◆ SPCX0190	Washer, Starlock 6mm	x	x
22	SPCO0283	Support, Grill Shelf	x	x
	◆ SPCX0184	Washer, Starlock 5mm	x	x
23	SMCO1850.BK	Trim, grill deflector PRO600	x	x
24	SPCC1423	Electrode, Spark 1500mm (Oven)	x	x
25	SPCC1429	Electrode, Spark 1500mm (Grill)	x	x
26	SPCC1455	Electrode, Spark 600mm	x	x
27	SPCC1457	Electrode, Spark 900mm	x	x
	◆ SPCC1498	Clip, fixing, electrode (for 600 & 900mm)	x	x
	◆ SPCC1499	Gasket, electrode (for 600 & 900mm)	x	x
28	SPCC1391	Generator, SI 230v Spark	x	x
29	SMAO1825.BK	Assy, Fascia PRO600 4BGI SBKG	x	x
30	SPCC1420	Switch, Micro with button	x	x
31	SPCC0618.CR	Knob, Hob/Gr skirt/lever Chrome	x	x
32	SPCO0314.SGD	Handle, Arc/Droop 465CRS SGD	x	x
33	SPCC0617.CR	Knob, Oven skirt/lever Chrome	x	x
34	SMAO1815.SS/BK	Grill Door PRO600	x	x
35	SMAO1835.SS/BK	Oven Door PRO600 SBKG/BGH6	x	x
	◆ SPCO0124	Bush, Hinge (for oven door)	x	x
	◆ SPCO0140	Catch, Jetpress (for oven door)	x	x
36	SPCO0647	Seal, Oven Door	x	x
37	SMCO1864.BK	Trim, Side PRO600 Full STI LH	x	x
39	SMCO1863.BK	Trim, Side PRO600 Full STI RH	x	x
40	SPCO0182	Support, oven shelf	x	x
	◆ SPCX0184	Washer, Starlock 5mm	x	x
46	SMAO0064	Burner Assy, complete (oven)	x	x
47	SPCO0159	Oven thermocouple, 1300mm	x	x
49	SPCC1125	Thermcouple, grill, faston, 600mm	x	x
	SPCC0770	Jet, No. .65 (oven & grill)	x	x
	SPCC0769	Jet, No. .97 (oven NG)		x
	SPCC0767	Bypass for SPCO0454 NG 0.59		x
	SPCO1800	Door hinge, Upper R/H, Side open	x	x
	SMCO0685	Door hinge, Lower 3200, SD open	x	x
	SPCO1640	Glass, Inner Door (Oven)	x	x
	SPCO0138	Stud, oven door catch	x	x
	◆ SPCX0181	Washer, M4 2mm Thick	x	x
	SPCO1085	Shelf, Oven & Grill	x	x
	SMAC0064	Grill Pan Assy - Larger, Detach	x	x
	SPCC1186	Handle, Detachable, grill pan	x	x
	SPCC1190	Trivet - Grill pan large	x	x

TRIPLEX SOH70xxx / SOH719xx - EXPLODED DRAWING (SABAF Components)



TRIPLEX - SOH70xxx / SOH719xx

MODELS

Exploded Drawing No.	Part Code	Part Description	70560	70905	70910	70911	70912	70915	70916	70917	70920	70940	70945Y	70955	70956
3	SMCO3964.BK	HEAT DEFLECTOR, FASCIA, EXTENDED, CAP BK	X	X	X	X	X	X	X	X	X	X	X	X	X
4	SMCO3533.xx	BEVEL FASCIA, TRIPLEX 445DF 0/2/0,OGI xx													
4	SMCO3543.xx	BEVEL FASCIA,TRIPLEX 445 1/2/0,OGI xx	BSP	BK				BK	BK	BK	GBK/LUN		BK/USA	BSP	BSP
4	SMCO3544.xxx	BEVEL FASCIA,TRIPLEX 445 1/2/0,OGIL xxx			BSP	BSP	BSP					LNSP			
5	SMCP3841.xx	HOB PANEL, TRIPLEX445 0/2/1 xxx L/H		BK		BK	BK		BK	BK	BK	LNS	BK	BK	BS
5	SMCP3851.xx	HOB PANEL, TRI445 1/2/0 xx LH	BS		BK			BK							
5	SMCP3861.xx	HOB PANEL, TRIPLEX445 2B+E xx L/H													
6	SPCC0796	BURNER, CUP INJECTOR SEMI S2 (0.67 AUS/US 1.7kW)		X		X	X		X	X	X	X	X	X	X
6	SPCC0797	BURNER, CUP INJECTOR SEMI S2 (0.62 EURO 1.5kW)	X		X			X							
7	SPCC0799	BURNER, CUP INJECTOR RAPID S2 (0.78 EURO 2.5kW)		X		X	X		X	X	X	X		X	X
7	SPCC0800	BURNER, CUP INJECTOR RAPID S2 (0.81 AUS/US 2.5kW)											X		
9	SPCC0811	FLAMESPREADER, SAB S2, SR, CAMPER, SKIRTLESS		X		X	X		X	X	X	X	X	X	X
10	SPCC0813	BURNER CAP, SAB S2, SR, CAMPER, ENAMEL BLACK	X	X	X	X	X	X	X	X	X	X	X	X	X
11	SPCC0831	FLAMESPREADER, SAB S2, RPD, CAMPER, SKIRTLESS		X		X	X		X	X	X	X	X	X	X
12	SPCC0833	BURNER CAP, SAB S2, RPD, CAMPER, ENAMEL BLACK		X		X	X		X	X	X	X	X	X	X
14	SPCC0619.BK	> KNOB, CONTROL 2020 BK LAM		X									X		
14	SPCC0626.SA	> KNOB,CONTROL F/C SATIN/BK LAM	X		X	X	X					X			
15	SPCC0585.SA	KNOB, H'PLT, 2 PIECE SA/BK													
15	SPCC0590.SA	> KNOB, HOB/GR, 2 PIECE SA/BK						X	X	X	X			X	X
15	SPCC0595.SA	> KNOB, OVEN, 2 PIECE SA/BK						X	X	X	X		X	X	X
16	SPCC1341	SWITCH,ROCKER,RECT,BLK,"LAMP"			X	X	X					X			
18	SPCC0684	SUPPORT.PAN 3 (TRI) TRIPLEX 445 CHROME	X	X	X	X	X	X	X	X	X	X	X	X	X
18	SPCC0685	SUPPORT.PAN TRIPLEX 445 D/F CHROME													
21	SMCO3585.BK	TRIM,L/H SIDE/SURROUND,TRIPLEX 445 (AUS) BK													
21	SMCO3787.xx	TRIM,HOB,L/H SIDE,CAP/MIN/TRI, R12.8 PROFILE, xx	BK	BK	BK	BK	BK	BK	BK	BK		LNS	BK	BK	BK
21	SMCO3789.BK	TRIM,HOB,L/H SIDE,CAP/MIN/TRI, SQ PROFILE, BK									X				
22	SMCO3586.BK	TRIM,R/H SIDE/SURROUND,TRIPLEX 445 (AUS) BK													
22	SMCO3786.xx	TRIM,HOB,R/H SIDE,CAP/MIN/TRI, R12.8 PROFILE, xx	BK	BK	BK	BK	BK	BK	BK	BK		LNS	BK	BK	BK
22	SMCO3788.BK	TRIM,HOB,R/H SIDE,CAP/MIN/TRI, SQ PROFILE, BK									X				
23	SPCC2003.BK	HINGE,GLASS LID 2004 STYLE	X	X	X	X	X	X	X	X	X	X	X	X	X
24	SG996.BK	GLASS,LID TRIPLEX MK3 445, BK/GR, PROTECT	X	X	X	X	X	X	X	X	X	X	X	X	X
25	SMAO3435.xxxx	OVEN DOOR MPR445	FN/SVS	BK/SVS2	BK/SVS4	BK/SVS4	BK/SVS4	BK/SVS1	BK/SVS1	BK/SVS1	CGD1	BK4	BK1	BK5	BK5
26	SPCO0308.xx	HANDLE, T-BAR 12mm	S					S	S	S	S		S	S	S
27	SPCO0293	SHELF,OVEN/GRILL (DUPLEX)	X	X	X	X	X	X	X	X	X	X	X	X	X
29	SMAC0066	> GRILL PAN ASSY - LONG,DETACH	X	X	X	X	X	X	X	X	X	X	X	X	X
30	SPCC1190	> TRIVET, GRILL PAN	X	X	X	X	X	X	X	X	X	X	X	X	X
30	SPCC1195	> TRIVET, GRILL PAN													
31	SPCC1186	> HANDLE, DETACHABLE,GRILL PAN	X	X	X	X	X	X	X	X	X	X	X	X	X
Not Shown	SG1090	GLASS,INNER DOOR CAP MK3 359x288x4mm	X	X	X	X	X	X	X	X	X	X	X	X	X
Not Shown	SMCO0391.xx	HANDLE,HEADON 390CRS		BK	SLV	SLV	SLV					BK	X		
Not Shown	SPCO0282	SUPPORT, SHELF, 3 POSITION, 55MM CRS, CHROME	X	X	X	X	X	X	X	X	X	X	X	X	X
Not Shown	*SPCX0184	WASHER, STARLOCK 5mm	X	X	X	X	X	X	X	X	X	X	X	X	X
Not Shown	SMAC0056	GRILL ASSY, 2005, NO HOOD	X	X	X	X	X	X	X	X	X	X	X	X	X
Not Shown	*SPCX0190	WASHER, STARLOCK 6mm	X	X	X	X	X	X	X	X	X	X	X	X	X
Not Shown	SPCC1164	THERMOCOUPLE, 600mm M8 FAST	X	X	X	X	X	X	X	X	X	X		X	X

TRIPLEX - SOH70xxx / SOH719xx

MODELS

Exploded Drawing No.	Part Code	Part Description	70560	70905	70910	70911	70912	70915	70916	70917	70920	70940	70945Y	70955	70956
Not Shown	SPCO0158	THERMOCOUPLE 1000MM T1-22	X	X	X	X	X	X	X	X	X	X		X	X
Not Shown	SPCC1125	THERMOCOUPLE, GRILL, FASTON, 600mm											X		
Not Shown	SPCC1120	THERMOCOUPLE, OVEN, FASTON, 1000mm											X		
Not Shown	SMAO0064	BURNER ASSY WORGAS COMPLETE	X	X	X	X	X	X	X	X	X	X	X	X	X
Not Shown	SMCO3287	COVER,REAR BOTTOM,CAP/MPR	X	X	X	X	X	X	X	X	X	X	X	X	X
Not Shown	SPCC1430	ELECTRODE,SPARK 650MM S/FIX	X	X	X	X	X	X	X	X	X	X	X	X	X
Not Shown	SPCC1418	ELECTRODE,SPARK 300MM S/FIX	X	X	X	X	X	X	X	X	X	X	X	X	X
Not Shown	SPCC1130	THERMOCOUPLE, S2 BURNER, FASTON, 250MM	X	X	X	X	X	X	X	X	X	X	X	X	X
Not Shown	SPCC1132	THERMOCOUPLE, S2 BURNER, FASTON, 450MM	X	X	X	X	X	X	X	X	X	X	X	X	X
Not Shown	*SPCX0163	LOCKNUT, M6 BRASS COARSE THREAD	X	X	X	X	X	X	X	X	X	X	X	X	X
Not Shown	SPCC1455	ELECTRODE, SPARK 600mm S2 SAB	X	X	X	X	X	X	X	X	X	X	X	X	X
Not Shown	*SPCC1498	CLIP, FIXING, ELECTRODE	X	X	X	X	X	X	X	X	X	X	X	X	X
Not Shown	SMAC5536	TAP/MANIFOLD ASSY, T'445 3BGF	X		X			X							
Not Shown	SMAC5537	TAP ASSY,T'445 3BGF RPD SAB REA		X		X	X		X	X	X	X	Y	X	X
Not Shown	SMAC5531	TAP ASSY,T'445 2BGF L/H SAB REA													
Not Shown	SMAC5531Z	TAP ASSY,T'445 2BGF L/H SAB REA (AUS)													
Not Shown	*SPCC0728	TAP BURN FFD/8 FC 9131/1 0.34	X	X	X	X	X	X	X	X	X	X	X	X	X
Not Shown	*SPCC0729	TAP GRIL FFD/8 FC 9131/1 0.45		X		X	X		X	X	X	X	X	X	X
Not Shown	*SPCO0460	TAP,THERMO+GRL SABAF 8372/1	X	X	X	X	X	X	X	X	X	X		X	X
Not Shown	*SPCO0470	TAP, THERMO+GRL SABAF 9140/1											X		
Not Shown	SPCC0773	JET, No59 S222/059	X	X	X	X	X	X	X	X	X	X	X	X	X
Not Shown	SPCC0775	JET, No62 S222/062	X	X	X	X	X	X	X	X	X	X	X	X	X
Not Shown	SPCC0770	JET, No65 S222/065													
Not Shown	SPCC1399	GENERATOR, SPARK IBG 60 (12f)	X	X	X	X	X	X	X	X	X	X		X	X
Not Shown	SPCC1398	GENERATOR,SPARK IGB 40 (12F)													
Not Shown	SPCC1397	GENERATOR, SPARK 12v UBZ6 VAR4000											X		
Not Shown	SPCO0980	LIGHT, OVEN 12v 77.912.2105.10			X	X	X					X			
Not Shown	SPCC1340	SWITCH,ROCKER,RECT,BLK,"SPARK"	X	X	X	X	X	X	X	X	X	X	X	X	X
Not Shown	SPCC0948	SWITCH, HOTPLATE CONTROL, EGO 46.27266.813													
Not Shown	SPCC0915	HOTPLATE, 12.11453.012 800W													
Not Shown	SPCC0794	BURNER, CUP INJECTOR AUX S2 (0.53 AUS/US 1.0kW)													
Not Shown	SPCC0798	BURNER, CUP INJECTOR AUX S2 (0.50 EURO 1.0kW)	X		X			X							
Not Shown	SPCC0812	FLAMESPREADER, SAB S2, SR, CAMPER, SKIRT	X		X			X							
Not Shown	SPCC0824	FLAMESPREADER, SAB S2, AUX, CAMPER, SKIRT	X		X			X							
Not Shown	SPCC0825	BURNER CAP, SAB S2, AUX, CAMPER, ENAMEL BLACK	X		X			X							

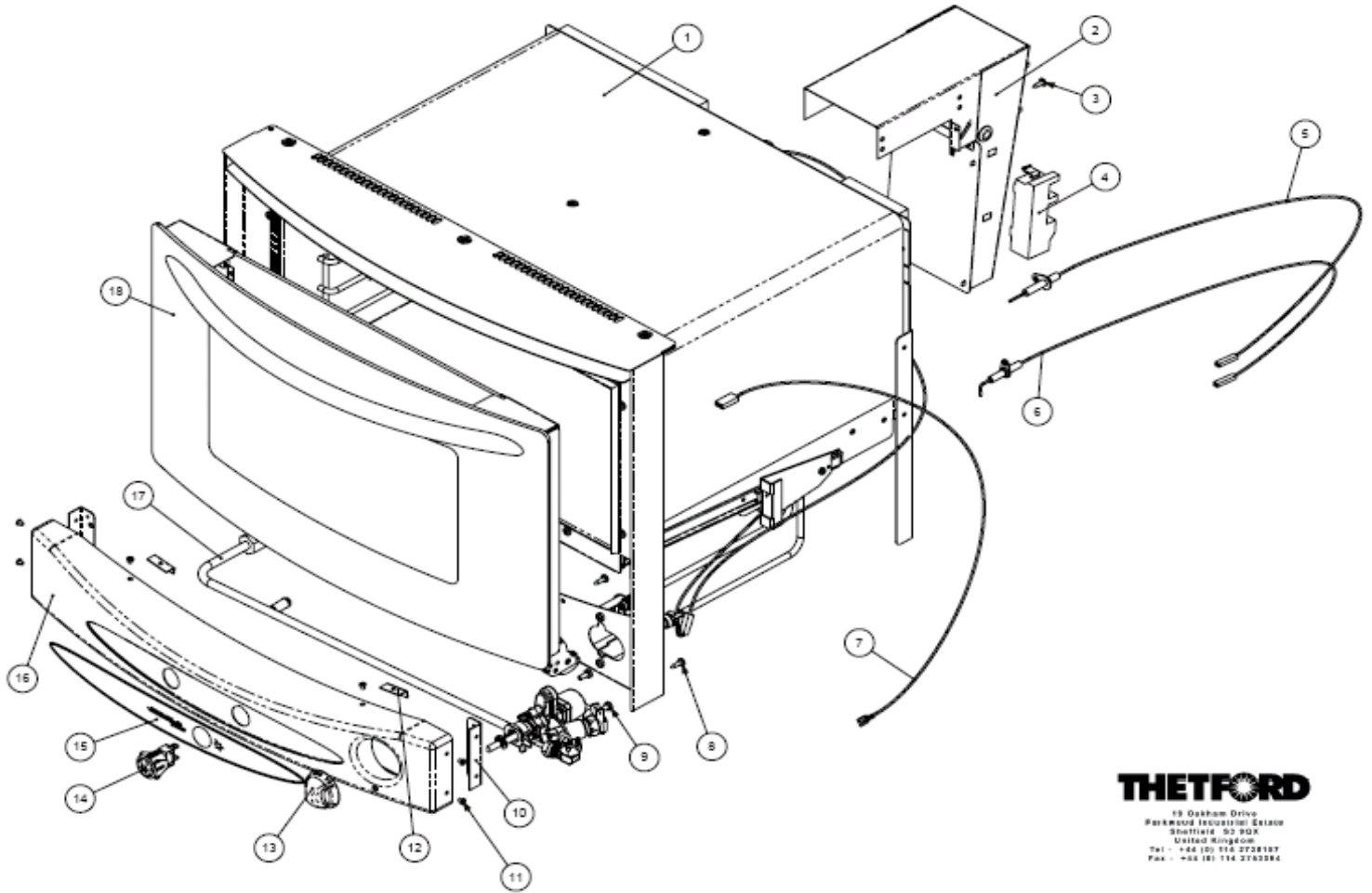
TRIPLEX - SOH70xxx / SOH719xx

Exploded Drawing No.	Part Code	Part Description	MODELS						
			70957	70959Z	70960	70960Z	70961	71915	71960Z
3	SMCO3964.BK	HEAT DEFLECTOR, FASCIA, EXTENDED, CAP BK	X	X	X	X	X	X	X
4	SMCO3533.xx	BEVEL FASCIA, TRIPLEX 445DF 0/2/0,OGI xx						BK	BSP
4	SMCO3543.xx	BEVEL FASCIA,TRIPLEX 445 1/2/0,OGI xx	BSP	BSP	BSP	BSP	BSP		
4	SMCO3544.xxx	BEVEL FASCIA,TRIPLEX 445 1/2/0,OGIL xxx							
5	SMCP3841.xx	HOB PANEL, TRIPLEX445 0/2/1 xxx L/H	BK	BS			BS		
5	SMCP3851.xx	HOB PANEL, TRI445 1/2/0 xx LH			BS	BS			
5	SMCP3861.xx	HOB PANEL, TRIPLEX445 2B+E xx L/H						BK	BS
6	SPCC0796	BURNER, CUP INJECTOR SEMI S2 (0.67 AUS/US 1.7kW)	X	X		X	X		X
6	SPCC0797	BURNER, CUP INJECTOR SEMI S2 (0.62 EURO 1.5kW)			X			X	
7	SPCC0799	BURNER, CUP INJECTOR RAPID S2 (0.78 EURO 2.5kW)	X				X		
7	SPCC0800	BURNER, CUP INJECTOR RAPID S2 (0.81 AUS/US 2.5kW)		X					X
9	SPCC0811	FLAMESPREADER, SAB S2, SR, CAMPER, SKIRTLESS	X	X			X		
10	SPCC0813	BURNER CAP, SAB S2, SR, CAMPER, ENAMEL BLACK	X	X	X	X	X	X	X
11	SPCC0831	FLAMESPREADER, SAB S2, RPD, CAMPER, SKIRTLESS	X	X			X		
12	SPCC0833	BURNER CAP, SAB S2, RPD, CAMPER, ENAMEL BLACK	X	X			X	X	X
14	SPCC0619.BK	> KNOB, CONTROL 2020 BK LAM							
14	SPCC0626.SA	> KNOB,CONTROL F/C SATIN/BK LAM							
15	SPCC0585.SA	KNOB, H'PLT, 2 PIECE SA/BK						X	X
15	SPCC0590.SA	> KNOB, HOB/GR, 2 PIECE SA/BK	X	X	X	X	X	X	X
15	SPCC0595.SA	> KNOB, OVEN, 2 PIECE SA/BK	X	X	X	X	X	X	X
16	SPCC1341	SWITCH,ROCKER,RECT,BLK,"LAMP"							
18	SPCC0684	SUPPORT,PAN 3 (TRI) TRIPLEX 445 CHROME	X	X	X	X	X		
18	SPCC0685	SUPPORT,PAN TRIPLEX 445 D/F CHROME						X	X
21	SMCO3585.BK	TRIM,L/H SIDE/SURROUND,TRIPLEX 445 (AUS) BK		X		X			X
21	SMCO3787.xx	TRIM,HOB,L/H SIDE,CAP/MIN/TRI, R12.8 PROFILE, xx			BK		BK	BK	
21	SMCO3789.BK	TRIM,HOB,L/H SIDE,CAP/MIN/TRI, SQ PROFILE, BK	X						
22	SMCO3586.BK	TRIM,R/H SIDE/SURROUND,TRIPLEX 445 (AUS) BK		X		X			X
22	SMCO3786.xx	TRIM,HOB,R/H SIDE,CAP/MIN/TRI, R12.8 PROFILE, xx			BK		BK	BK	
22	SMCO3788.BK	TRIM,HOB,R/H SIDE,CAP/MIN/TRI, SQ PROFILE, BK	X						
23	SPCC2003.BK	HINGE,GLASS LID 2004 STYLE	X	X	X	X	X	X	X
24	SG996.BK	GLASS,LID TRIPLEX MK3 445, BK/GR, PROTECT	X	X	X	X	X	X	X
25	SMAO3435.xxxx	OVEN DOOR MPR445	BK5	BK5	BK5	BK5	BK5	BK/SVS1	BK5
26	SPCO0308.xx	HANDLE, T-BAR 12mm	S	S	S	S	S	X	X
27	SPCO0293	SHELF,OVEN/GRILL (DUPLEX)	X	X	X	X	X	X	X
29	SMAC0066	> GRILL PAN ASSY - LONG,DETACH	X	X	X	X	X	X	X
30	SPCC1190	> TRIVET, GRILL PAN		X	X	X	X		
30	SPCC1195	> TRIVET, GRILL PAN	X					X	X
31	SPCC1186	> HANDLE, DETACHABLE,GRILL PAN	X	X	X	X	X	X	X
Not Shown	SG1090	GLASS,INNER DOOR CAP MK3 359x288x4mm	X	X	X	X	X	X	X
Not Shown	SMCO0391.xx	HANDLE,HEADON 390CRS			X	X			
Not Shown	SPCO0282	SUPPORT, SHELF, 3 POSITION, 55MM CRS, CHROME	X	X	X	X	X	X	X
Not Shown	*SPCX0184	WASHER, STARLOCK 5mm	X	X	X	X	X	X	X
Not Shown	SMAC0056	GRILL ASSY, 2005, NO HOOD	X	X	X	X	X	X	X
Not Shown	*SPCX0190	WASHER, STARLOCK 6mm	X	X	X	X	X	X	X
Not Shown	SPCC1164	THERMOCOUPLE, 600mm M8 FAST	X	X	X	X	X	X	X

TRIPLEX - SOH70xxx / SOH719xx

			MODELS						
Exploded Drawing No.	Part Code	Part Description	70957	70959Z	70960	70960Z	70961	71915	71960Z
Not Shown	SPCO0158	THERMOCOUPLE 1000MM T1-22	X	X	X	X	X	X	X
Not Shown	SPCC1125	THERMOCOUPLE, GRILL, FASTON, 600mm							
Not Shown	SPCC1120	THERMOCOUPLE, OVEN, FASTON, 1000mm							
Not Shown	SMAO0064	BURNER ASSY WORGAS COMPLETE	X	X	X	X	X	X	X
Not Shown	SMCO3287	COVER,REAR BOTTOM,CAP/MPR	X	X	X	X	X	X	X
Not Shown	SPCC1430	ELECTRODE,SPARK 650MM S/FIX	X	X	X	X	X	X	X
Not Shown	SPCC1418	ELECTRODE,SPARK 300MM S/FIX	X	X	X	X	X	X	X
Not Shown	SPCC1130	THERMOCOUPLE, S2 BURNER, FASTON, 250MM	X	X	X	X	X	X	X
Not Shown	SPCC1132	THERMOCOUPLE, S2 BURNER, FASTON, 450MM	X	X	X	X	X	X	X
Not Shown	*SPCX0163	LOCKNUT, M6 BRASS COARSE THREAD	X	X	X	X	X	X	X
Not Shown	SPCC1455	ELECTRODE, SPARK 600mm S2 SAB	X	X	X	X	X	X	X
Not Shown	*SPCC1498	CLIP, FIXING, ELECTRODE	X	X	X	X	X	X	X
Not Shown	SMAC5536	TAP/MANIFOLD ASSY, T'445 3BGF			X	Z			
Not Shown	SMAC5537	TAP ASSY,T'445 3BGF RPD SAB REA	X	Z			X		
Not Shown	SMAC5531	TAP ASSY,T'445 2BGF L/H SAB REA						X	
Not Shown	SMAC5531Z	TAP ASSY,T'445 2BGF L/H SAB REA (AUS)							X
Not Shown	*SPCC0728	TAP BURN FFD/8 FC 9131/1 0.34	X	X	X	X	X	X	X
Not Shown	*SPCC0729	TAP GRIL FFD/8 FC 9131/1 0.45	X	X			X		
Not Shown	*SPCO0460	TAP,THERMO+GRL SABAF 8372/1	X	X	X	X	X	X	X
Not Shown	*SPCO0470	TAP, THERMO+GRL SABAF 9140/1							
Not Shown	SPCC0773	JET, No59 S222/059	X		X	X	X	X	
Not Shown	SPCC0775	JET, No62 S222/062	X	X	X	X	X	X	X
Not Shown	SPCC0770	JET, No65 S222/065		X					X
Not Shown	SPCC1399	GENERATOR, SPARK IBG 60 (12f)	X	X	X	X	X		
Not Shown	SPCC1398	GENERATOR,SPARK IGB 40 (12F)						X	X
Not Shown	SPCC1397	GENERATOR, SPARK 12v UBZ6 VAR4000							
Not Shown	SPCO0980	LIGHT, OVEN 12v 77.912.2105.10							
Not Shown	SPCC1340	SWITCH,ROCKER,RECT,BLK,"SPARK"	X	X	X	X	X	X	X
Not Shown	SPCC0948	SWITCH, HOTPLATE CONTROL, EGO 46.27266.813						X	X
Not Shown	SPCC0915	HOTPLATE, 12.11453.012 800W						X	X
Not Shown	SPCC0794	BURNER, CUP INJECTOR AUX S2 (0.53 AUS/US 1.0kW)				X		X	X
Not Shown	SPCC0798	BURNER, CUP INJECTOR AUX S2 (0.50 EURO 1.0kW)			X				
Not Shown	SPCC0812	FLAMESPREADER, SAB S2, SR, CAMPER, SKIRT			X	X		X	X
Not Shown	SPCC0824	FLAMESPREADER, SAB S2, AUX, CAMPER, SKIRT			X	X			
Not Shown	SPCC0825	BURNER CAP, SAB S2, AUX, CAMPER, ENAMEL BLACK			X	X			

SOG72000 DUPLEX SD - EXPLODED DRAWING



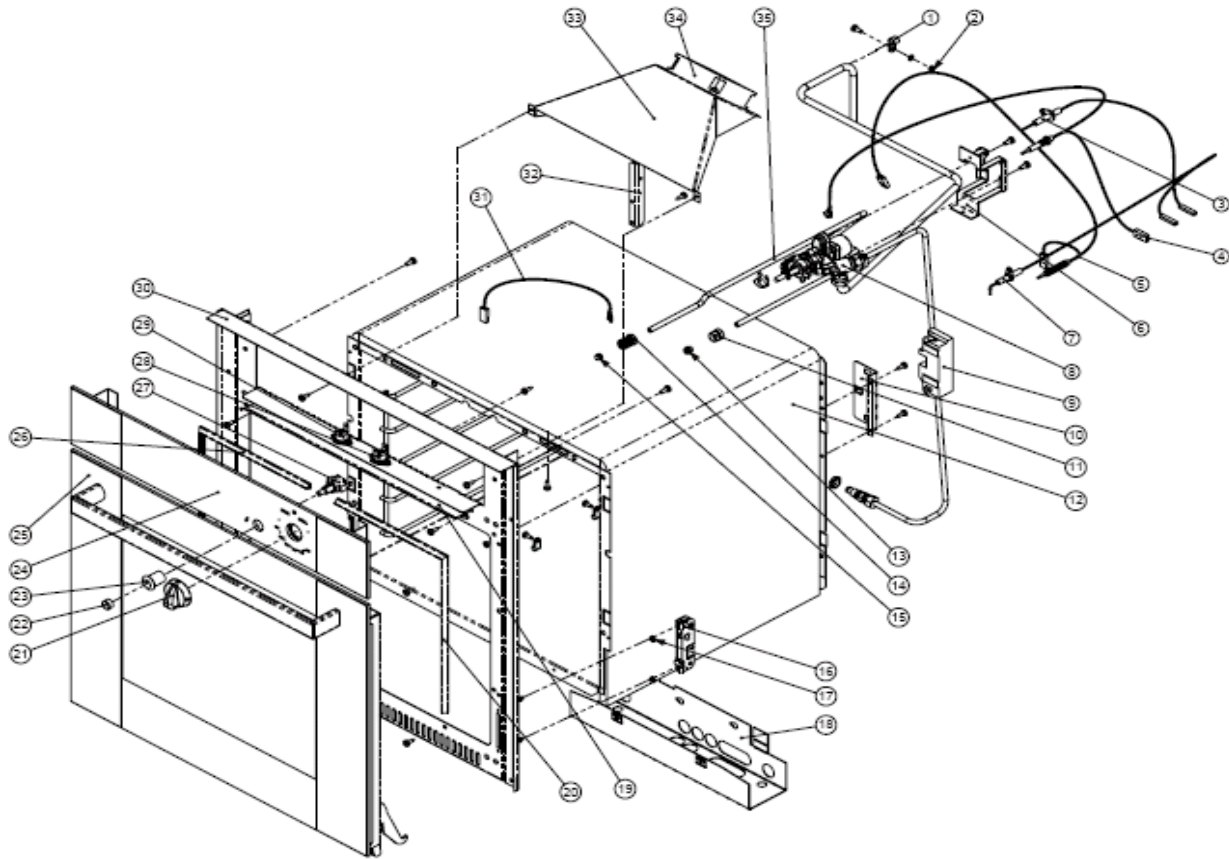
THETFORD

15 Oxbow Drive
PARKWOOD INDUSTRIAL ESTATE
SHUTTLEFORTH, LEEDS
UNITED KINGDOM
Tel: +44 (0) 114 2781117
Fax: +44 (0) 114 2742284

SOG72000 DUPLEX SD

DRW No.	PART CODE	DESCRIPTION	MODELS		
			72900	72900Z	72902
1	SPCO0561	Insulation, oven body	X	X	X
4	SPCC1392	Generator, spark 12v	X	X	X
5	SPCC1421	Electrode, spark 650mm s/fix (oven)	X	X	X
6	SPCC1430	Electrode, spark 650mm s/fix (oven)	X	X	X
7	SPCC1094	Extension Lead, cut out - tap, faston, 1150mm	X	X	X
9	SPCO0470	Tap, Thermo+grill	X	X	X
13	SPCC0608.BK	Knob, oven/grill 180o rotated, continental BK	X	X	X
14	SPCC1376	Switch, momentary, micro	X	X	X
15	♦ SPCC1709	Fascia, self adhesive, tower unit	X	X	X
16	SMCO4050.BK	Curved Fascia, painted black	X	X	X
17	SMAC5458	Tap/Manifold, tower unit OGF Sab Rear	X	Z	X
18	SMAO3540.BK	Oven Door, curved, BK BKHC	X	X	X
18	♦ SPCO0313.BK	Handle, curved ellipse 390crs BK	X	X	X
18	♦ SG1020	Glass, Inner, oven/grill	X	X	X
	SPCO0271	Support, Shelf, 3 position, 35mm	X	X	X
	♦ SPCX0184	Washer, Starlock 5mm	X	X	X
	SMAC0056	Grill Assy, 2005, no hood	X	X	X
	SPCO0562	Insulation, oven back	X	X	X
	SPCC1129	Thermocouple, grill, faston, piggyback, 740mm	X	X	X
	SPCC1119	Thermocouple, oven, faston, 1000mm	X	X	X
	SMAO0064	Oven Burner Assembly	X	X	X
	SPCC0773	Jet, No. 59 (oven)	X		X
	SPCC0770	Jet, No. 65 (oven - Aus)		X	
	SPCC0775	Jet, No. 62 (grill)	X	X	X
	SMCO4060.BK	Trim, full front, painted black	X	X	X
	SMCO4065.BK	Trim, top front, painted black	X	X	X
	SPCO0973	Cut out, Thermal, Normally open (53/70)	X	X	X
	SPCO0974	Cut out, Thermal, Normally closed (130/113)	X	X	X
	SPCO0252	Seal, oven door, tower unit	X	X	X
	SPCC0965	Fan, 80mm, 12v	X	X	X
	SPCC1375	Switch, push button, micro (for light)			X
	SPCO0297	Shelf, oven/grill (SA oven)	X	X	X
	SINS1002	Instructions, user+installation	X	X	X
	SMAC0066	Grill Pan - Long, Detach	X	X	X
	SPCC1186	Handle, Detachable grill pan	X	X	X
	SPCC1195	Trivet, grill pan	X	X	X

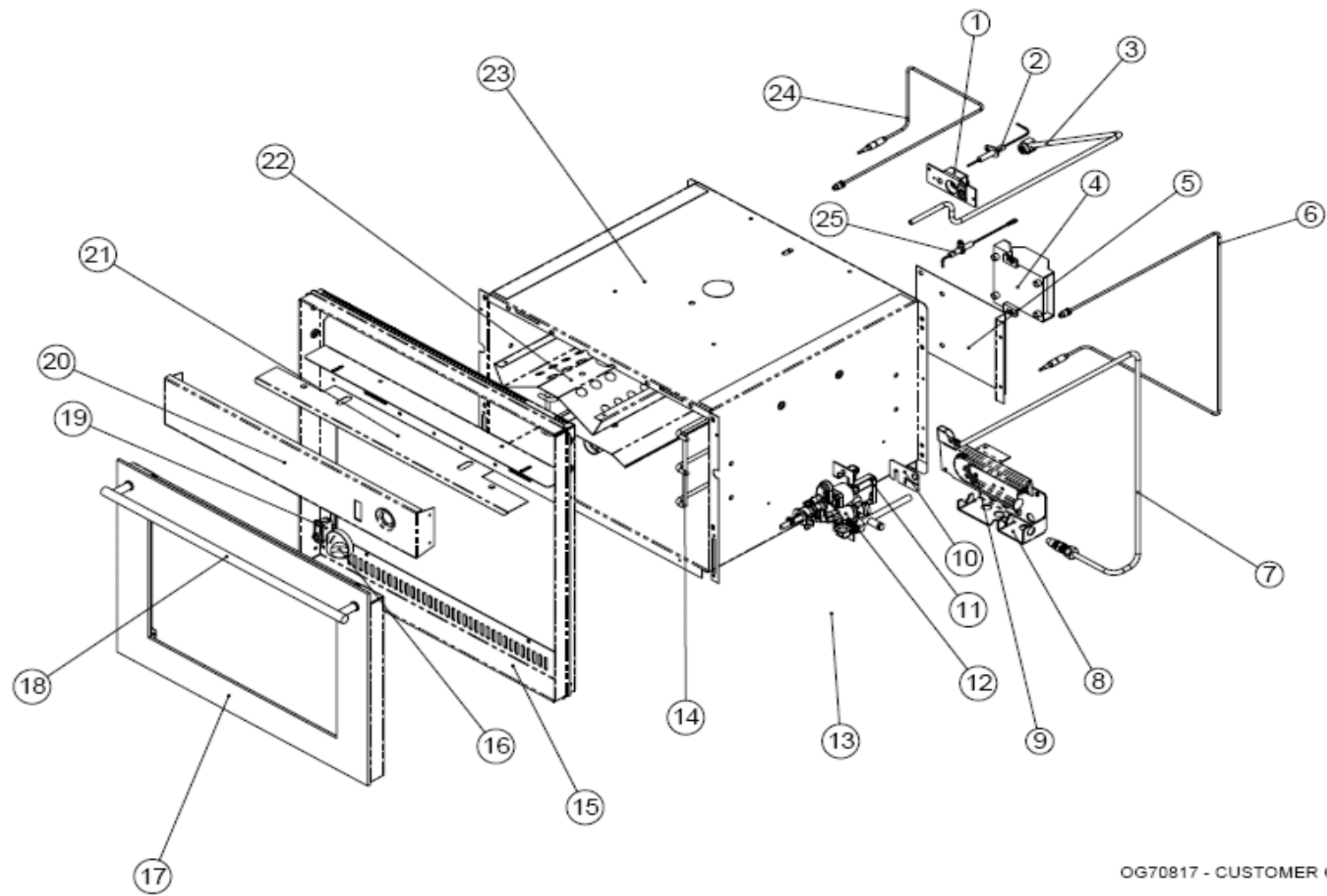
SOG10955 DUPLEX XL - EXPLODED DRAWING



SOG10955 DUPLEX XL

DRW No.	PART CODE	DESCRIPTION
1	SMAC4212	Tap/Manifold Assembly, rear inlet
3	SPCC1418	Electrode, Spark 300mm, S/Fix (grill)
4	SPCC1129	Thermocouple, Grill, Faston, piggyback, 740mm
5	SPCC1117	Thermocouple, Oven, Faston, 1000mm + Earth
7	SPCC1430	Electrode, Spark 650mm, S/Fix (oven)
8	SPCO0470	Tap, Thermo+grill
9	SPCC1392	Generator, Spark 12v
12	SPCO0551	Insulation, Oven Body
19	SMCO4264.BK	Heat Deflect, Oven Flue
20	SPCO0202	Seal, Oven Door, RH
21	SPCC0599.BK	Knob, Control, Teardrop, Black
22	SPCC1386	Button, round, Black
23	SPCC1387	Bezel, snap-fit, Black
24	SMAO4214.BK	Fascia Assembly, OGI BSC
25	SMAO4230.BK	Oven Door, Drop Down
25	◆ SPCO0323.BNK	Handle, V cut, Bright Nickel
25	◆ SG1022	Glass, Inner, oven/grill
26	SPCO0201	Seal, Oven Door, LH
27	SPCC1377	Switch, momentary on, Black
28	SPCO0973	Cut Out, Thermal, Normally Open (53/70)
29	SPCO0974	Cut Out, Thermal, Normally Closed (110/93)
30	SMCO4260.BK	Trim. Front, Black, XL Duplex
31	SPCC1090	Extension Lead, SW-Tap, Faston, 320mm
34	SPCC0965	Fan, 80mm, 12v
	◆ SPCX0130.BK	Screw, No.6x1/2 Pozi
	SPCO0182	Support, Shelf, 5 position, 55mm CRS chrome
	◆ SPCX0184	Washer, Starlock 5mm
	SMAC0056	Grill Burner Assy, 2005, no hood
	SPCO0563	Insulation, Oven Back
	SMAO0064	Oven Burner Assembly
	SPCC0773	Jet, No.59 (oven)
	SPCC0775	Jet, No. 62 (grill)
	SINS1012	Instructions, user & installation
	SPCO0299	Shelf, Oven/Grill
	SMAC0066	Grill Pan - Long, Detach
	SPCC1186	Handle, Detachable, grill pan
	SPCC1195	Trivet, grill pan

DUPLEX - SOG70000 - EXPLODED DRAWING (GENERIC)



MIDI PRIMA Mk III

IMPORTANT INFORMATION

Midi Prima ovens have been built with two different sets of gas taps, burners and thermocouples.

The Midi Prima Serial Number chan 11 10 377920001

11 Indicates year of manufacture 2011

10 Indicates week of manufacture

377920001 Indicates unique serial number

For all serial numbers before this time where week is less than 10 and/or year is less than 11

please use Exploded View Old and Standard items on parts list

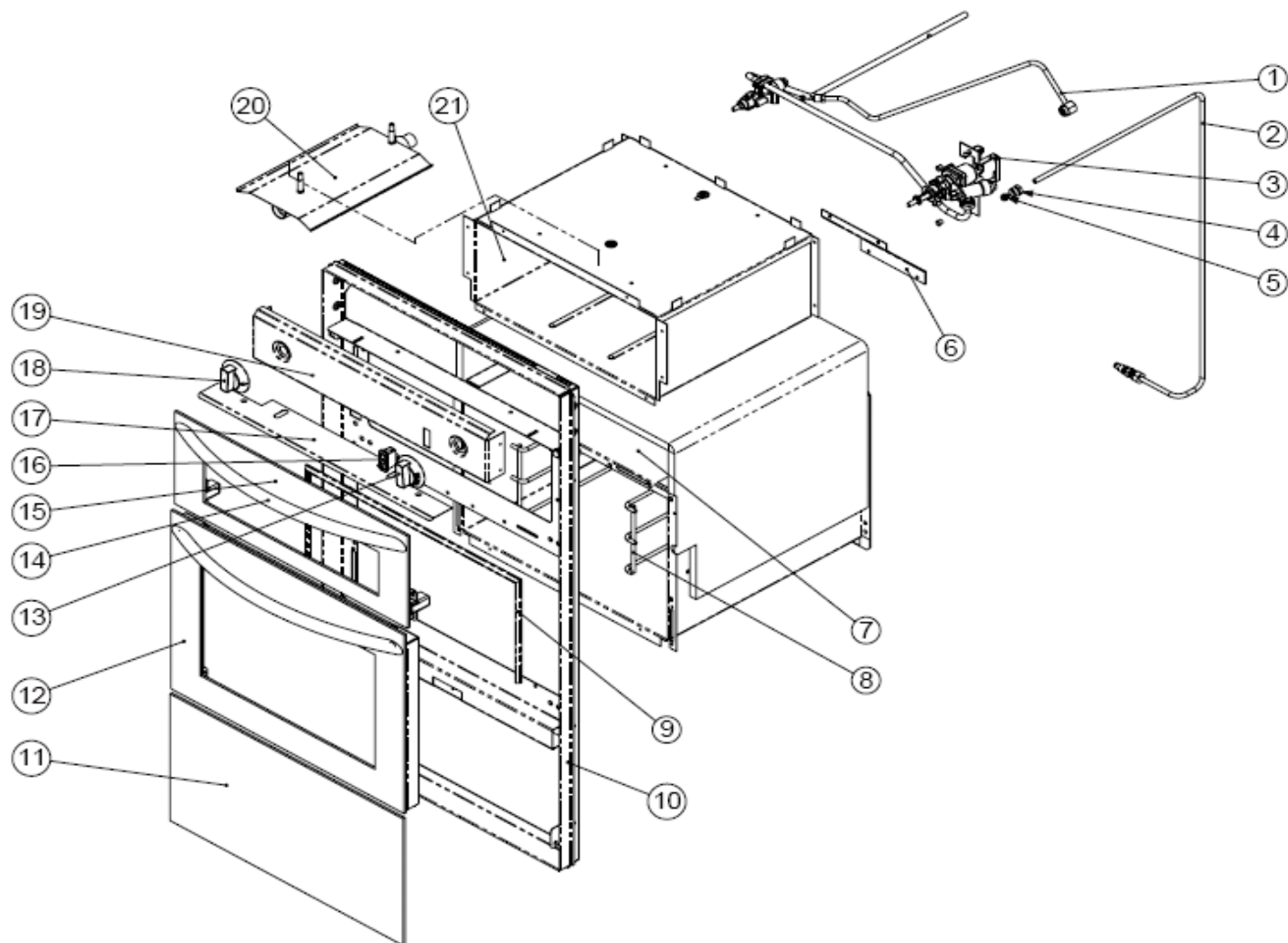
If serial number does not follow the above pattern also use these parts

For all serial numbers after this time where week is greater than 10 and/or year is equal to or more than 11

please use Exploded View New and Green shaded items on parts list

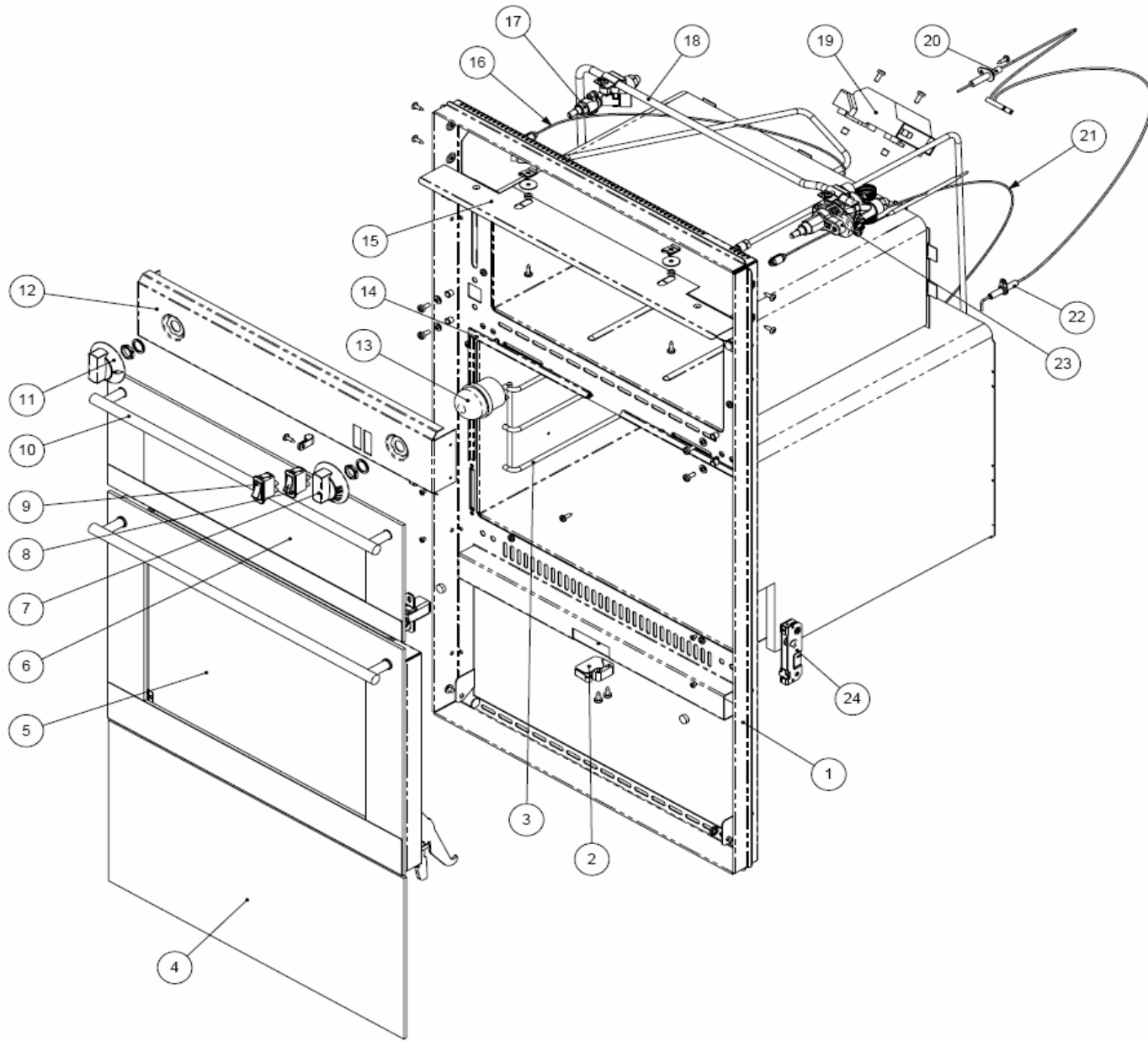
MIDI PRIMA Mk III - SOP70000 - EXPLODED DRAWING (SABAF Components)

Manufactured **BEFORE 14.03.2011**



MIDI PRIMA Mk III - SOP70000 - EXPLODED DRAWING (NEW Components)

Manufactured FROM 14.03.2011



MIDI PRIMA Mk III - SOP70000 (Parts List SOP70052 - SOP70900)

Part Codes & Descriptions highlighted Pale Green relate to Products MANUFACTURED from 14/03/2011 onwards. Serial No 11-10-377920001			MODELS								
Exploded Drawing No.	Part Code	Part Description	70801	70802	70803	70805	70806	70810	70815	70850	
16	SPCC1125	THERMOCOUPLE, GRILL, FASTON, 600MM	X	X	X	X	X	X	X	X	
16	SPCC4260	THERMOCOUPLE, SP GRILL, CO-AXIAL, 600MM	X	X	X	X	X	X	X	X	
17	♦ SPCC0729	TAP GRIL FFD/8 FC 9131/1 0.45	X	X	X	X	X	X	X	X	
17	♦ SPCC4101	TAP, STRAIGHT, COPRECI, BYP0.45 (WHITE), CO-AXIAL	X	X	X	X	X	X	X	X	
18	SMAC5446	TAP ASSY,MPR445 OGF SAB REAR						X	X		
18	SMAC5746	TAP ASSY, MPR445 OGF COP REAR						X	X		
18	SMAC5448	TAP ASSY,MPR445 OGF SAB LG/F07	X	X	X	X	X			X	
18	SMAC5748	TAP ASSY, MPR445 OGF COP LG/F07	X	X	X	X	X			X	
18	SMAC5449	TAP ASSY,MPR445 OGF SAB LG/B07									
18	SMAC5749	TAP ASSY, MPR445 OGF COP LG/B07									
19	SPCC1398	GENERATOR,SPARK IGB 40 (12F)								X	
19	SPCC1399	GENERATOR,SPARK IGB 60 (12F)	X	X	X	X	X	X	X		
20	SPCC1418	ELECTRODE,SPARK 300MM S/FIX (GRILL)	X	X	X	X	X	X	X	X	
21	SPCC1120	THERMOCOUPLE, OVEN, FASTON, 1000MM	X	X	X	X	X	X	X	X	
21	SPCC4230	THERMOCOUPLE, WORGAS OVEN BURNER, COAXIAL, 1000mm	X	X	X	X	X	X	X	X	
22	SPCC1430	ELECTRODE,SPARK 650MM S/FIX (OVEN)	X	X	X	X	X	X	X	X	
23	♦ SPC00452	TAP,THERMOSTAT SABAF TS 5301/1						X	X		
23	♦ SPCC4150	TAP, THERMOSTAT, COPRECI, BYP0.30 (BLUE), CO-AXIAL						X	X		
23	♦ SPC00472	TAP,THERMOSTAT SABAF TS 9138/1	X	X	X	X	X			X	
23	♦ SPCC4150	TAP, THERMOSTAT, COPRECI, BYP0.30 (BLUE), CO-AXIAL	X	X	X	X	X			X	
Not Shown	SPCC0773	JET, No59 S222/059 (Oven)	X	X	X	X	X	X	X	X	
AVAILABILITY TBC	SPCX0024	JET, No.59, SOMIPRESS	X	X	X	X	X	X	X	X	
Not Shown	SPCC0775	JET, No62 S222/062 (Grill)	X	X	X	X	X	X	X	X	
AVAILABILITY TBC	SPCX0026	JET, No.62, SOMIPRESS	X	X	X	X	X	X	X	X	
Not Shown	SMCO3684.BK	TRIM, FRONT, MIDI PRIMA 445 3/4 FL CRUSH BK	X	X	X	X	X	X	X	X	
Not Shown	SMCO3685.BK	TRIM,FRONT,MIDI PRIMA 445 1/2 FL CRUSH BK									
Not Shown	SMAC0056	GRILL ASSY, 2005, NO HOOD	X	X	X	X	X	X	X	X	
Not Shown	♦ SPCX0184	WASHER, STARLOCK 5MM	X	X	X	X	X	X	X	X	
Not Shown	SG1090	GLASS,INNER DOOR CAP MK3 4MM (OVEN)	X	X	X	X	X	X	X	X	
Not Shown	SMAC0063	GRILL PAN ASSY - LARGE,DETACH	X	X	X	X	X	X	X	X	
Not Shown	SMAO0064	BURNER ASSY WORGAS COMPLETE (OVEN)	X	X	X	X	X	X	X	X	
Not Shown	SMCO0684	DOOR HINGE,UPPER 3200 SD OPEN OVEN	X		X						

MIDI PRIMA Mk III - SOP70000 (Parts List SOP70052 - SOP70900)

Part Codes & Descriptions highlighted Pale Green relate to Products MANUFACTURED from 14/03/2011 onwards. Serial No 11-10-377920001			MODELS		
Exploded Drawing No.	Part Code	Part Description	70870	70872	70900
2	SPCO0134	CATCH,HAFELE 245.54.701 (For lower door)	X	X	X
3	SPCO0282	SUPPORT,OVEN SHELF(CARA)	X	X	X
Not Shown	♦ SPCX0190	WASHER,STARLOCK 6MM DT6493	X	X	X
4	SMAO3450.xx	LOWER DOOR, PUSH, MPR445	SLG	BK/SVS	BK
4	SMAO3452.MIR	LOWER DOOR,PUSH,MPR445 S MIR			
5	SMAO3430.xx	OVEN DOOR, MPR445			
5	SMAO3435.xx	OVEN DOOR, MPR445	SLG	BK/SVS2	BK7
6	SMAO3410.xx	GRILL DOOR,MPR445			
6	SMAO3415.xx	GRILL DOOR, MPR445	SLG	BK/SVS2	BK4
7	SPCC0595.xx	KNOB, OVEN, 2 PIECE	S	SA	CR
7	SPCC0617.xx	KNOB,OVEN SKIRT/LEVER			
8	SPCC1340	SWITCH,ROCKER,RECT,BLK,"SPARK"	X	X	X
9	SPCC1341	SWITCH,ROCKER,RECT,BLK,"LAMP"			
10	SMCO0391.BK	HANDLE,HEADON 390CRS BLACK	X	X	
10	SPCO0302.xx	HANDLE,KENSINGTON BRUSHED NICKEL 390CRS			BN
10	SPCO0305.xx	HANDLE,KENSINGTON BRUSHED NICKEL 338CRS			
10	SPCO0307.xx	HANDLE,ELLIPSE 390CRS			
10	SPCO0308.xx	HANDLE,T-BAR 12mm <->SS 390CRS			
10	SPCO0331.xx	HANDLE, GLACIER, BRUSHED NICKEL 338CRS			
10	SPCO0332.xx	HANDLE, GLACIER, BRUSHED NICKEL 390CRS			
11	SPCC0590.xx	KNOB, HOB/GR, 2 PIECE	SA	SA	CR
11	SPCC0618.xx	KNOB,HOB/GR SKIRT/LEVER			
11	SPCC0619.xx	KNOB,CONTROL 2020			
12	SMCO3674.xx	BEVEL FAS,MPR445 OG	BK1	BK1	
12	SMCO3675.xx	BEVEL FAS,MPR445 OGI			LNSP/ELD
12	SMCO3676.xx	BEVEL FAS,MPR445 OGIL			
13	SPCO0980	LIGHT,OVEN 12V 77.912.2105.10			
14	SPCO0243	SEAL,OVEN DOOR MK3 FRONT FLUE, SIDE OPEN 445, SG			
14	SPCO0246	SEAL,OVEN DOOR MK3 FRONT FLUE SG	X	X	X
15	SMCO3664.BK	HEAT DEFLECT,FASCIA,MPR445 BK	X	X	X
Not Shown	♦ SPCX0146	CLIP,J TYPE FOR NO 6 SCREW	X	X	X
Not Shown	♦ SPCX0175	WASHER, 18 x 4 x 1mm RED FIBRE	X	X	X
Not Shown	♦ SPCX0183	WASHER, 8MM OD x 4MM ID X 2.5MM THK	X	X	X

MIDI PRIMA Mk III - SOP70000 (Parts List SOP70052 - SOP70900)

Part Codes & Descriptions highlighted Pale Green relate to Products MANUFACTURED from 14/03/2011 onwards. Serial No 11-10-377920001			MODELS		
Exploded Drawing No.	Part Code	Part Description	70870	70872	70900
16	SPCC1125	THERMOCOUPLE, GRILL, FASTON, 600MM	X	X	X
16	SPCC4260	THERMOCOUPLE, SP GRILL, CO-AXIAL, 600MM	X	X	X
17	♦ SPCC0729	TAP GRIL FFD/8 FC 9131/1 0.45	X	X	X
17	♦ SPCC4101	TAP, STRAIGHT, COPRECI, BYP0.45 (WHITE), CO-AXIAL	X	X	X
18	SMAC5446	TAP ASSY,MPR445 OGF SAB REAR			
18	SMAC5746	TAP ASSY, MPR445 OGF COP REAR			
18	SMAC5448	TAP ASSY,MPR445 OGF SAB LG/F07			X
18	SMAC5748	TAP ASSY, MPR445 OGF COP LG/F07			X
18	SMAC5449	TAP ASSY,MPR445 OGF SAB LG/B07	X	X	
18	SMAC5749	TAP ASSY, MPR445 OGF COP LG/B07	X	X	
19	SPCC1398	GENERATOR,SPARK IGB 40 (12F)			
19	SPCC1399	GENERATOR,SPARK IGB 60 (12F)			X
20	SPCC1418	ELECTRODE,SPARK 300MM S/FIX (GRILL)			X
21	SPCC1120	THERMOCOUPLE, OVEN, FASTON, 1000MM	X	X	X
21	SPCC4230	THERMOCOUPLE, WORGAS OVEN BURNER, COAXIAL, 1000mm	X	X	X
22	SPCC1430	ELECTRODE,SPARK 650MM S/FIX (OVEN)			X
23	♦ SPCO0452	TAP,THERMOSTAT SABAF TS 5301/1			
23	♦ SPCC4150	TAP, THERMOSTAT, COPRECI, BYP0.30 (BLUE), CO-AXIAL			
23	♦ SPCO0472	TAP,THERMOSTAT SABAF TS 9138/1	X	X	X
23	♦ SPCC4150	TAP, THERMOSTAT, COPRECI, BYP0.30 (BLUE), CO-AXIAL	X	X	X
Not Shown	SPCC0773	JET, No59 S222/059 (Oven)	X	X	X
AVAILABILITY TBC	SPCX0024	JET, No.59, SOMIPRESS	X	X	X
Not Shown	SPCC0775	JET, No62 S222/062 (Grill)	X	X	X
AVAILABILITY TBC	SPCX0026	JET, No.62, SOMIPRESS	X	X	X
Not Shown	SMCO3684.BK	TRIM, FRONT, MIDI PRIMA 445 3/4 FL CRUSH BK	X	X	X
Not Shown	SMCO3685.BK	TRIM,FRONT,MIDI PRIMA 445 1/2 FL CRUSH BK			
Not Shown	SMAC0056	GRILL ASSY, 2005, NO HOOD	X	X	X
Not Shown	♦ SPCX0184	WASHER, STARLOCK 5MM	X	X	X
Not Shown	SG1090	GLASS,INNER DOOR CAP MK3 4MM (OVEN)	X	X	X
Not Shown	SMAC0063	GRILL PAN ASSY - LARGE,DETACH	X	X	X
Not Shown	SMAO0064	BURNER ASSY WORGAS COMPLETE (OVEN)	X	X	X
Not Shown	SMCO0684	DOOR HINGE,UPPER 3200 SD OPEN OVEN			

MIDI PRIMA Mk III - SOP70000 (Parts List SOP70052 - SOP70900)

Part Codes & Descriptions highlighted Pale Green relate to Products MANUFACTURED from 14/03/2011 onwards. Serial No 11-10-377920001			MODELS		
Exploded Drawing No.	Part Code	Part Description	70870	70872	70900
Not Shown	SMCO0685	DOOR HINGE,LOWER 3200 SD OPEN OVEN			
Not Shown	SMCO3287	COVER,REAR BOTTOM,CAP/MPR	X	X	X
Not Shown	SPCC1186	HANDLE, DETACHABLE,GRILL PAN	X	X	X
Not Shown	SPCC1190	TRIVET - GRILL PAN LARGE	X	X	X
Not Shown	SPCO0124	BUSH, HINGE (for side opening oven door)			
Not Shown	SPCO0138	STUD,OVEN DOOR CATCH S/S (For side opening oven door)			
Not Shown	SPCO0140	CATCH,JETPRESS 41460-61 (For side opening oven door)			
Not Shown	SPCO0292	SHELF,OVEN (CAP/MPR 445&496)	X	X	X

MIDI PRIMA Mk III - SOP70000 (Parts List SOP70905 - SOP70955Z)

Part Codes & Descriptions highlighted Pale Green relate to Products			MODELS						
Exploded Drawing No.	Part Code	Part Description	70905	70910	70911	70912	70913	70914	70915
2	SPCO0134	CATCH,HAFELE 245.54.701 (For lower door)	X	X	X	X	X	X	X
3	SPCO0282	SUPPORT,OVEN SHELF(CARA)	X	X	X	X	X	X	X
Not Shown	◆SPCX0190	WASHER,STARLOCK 6MM DT6493	X	X	X	X	X	X	X
4	SMAO3450.???	LOWER DOOR, PUSH, MPR445	BK	BK	BK1	BK1	BK1	BK1	BK
4	SMAO3452.MIR	LOWER DOOR,PUSH,MPR445 S MIR							
5	SMAO3430.xx	OVEN DOOR, MPR445					BK8	BK7	
5	SMAO3435.xx	OVEN DOOR, MPR445	BK7	BK6	BK12	BK8			BK6
6	SMAO3410.xx	GRILL DOOR,MPR445					BK6	BK7	
6	SMAO3415.xx	GRILL DOOR, MPR445	BK4	BK3	BK12	BK6			BK3
7	SPCC0595.xx	KNOB, OVEN, 2 PIECE	CR	CR	CR	CR	CR	CR	CR
7	SPCC0617.xx	KNOB,OVEN SKIRT/LEVER							
8	SPCC1340	SWITCH,ROCKER,RECT,BLK,"SPARK"	X	X	X	X	X	X	X
9	SPCC1341	SWITCH,ROCKER,RECT,BLK,"LAMP"	X						X
10	SPCO0300.xx	HANDLE,RALLYE CHROME 338CRS					CR		
10	SPCO0301.xx	HANDLE,RALLYE CHROME 390CRS		CR		CR			CR
10	SPCO0302.xx	HANDLE,KENSINGTON BRUSHED NICKEL 390CRS	BN						
10	SPCO0307.xx	HANDLE,ELLIPSE 390CRS							
10	SPCO0308.xx	HANDLE,T-BAR 12mm <->SS 390CRS							
10	SPCO0315.xx	HANDLE,T-BAR 12mm <->SS 338CRS							
10	SPCO0325.xx	HANDLE, ICE, CHROME 338CRS						CR	
10	SPCO0326.xx	HANDLE, ICE, CHROME 390CRS			CR				
11	SPCC0590.xx	KNOB, HOB/GR, 2 PIECE	CR	CR	CR	CR	CR	CR	CR
11	SPCC0618.xx	KNOB,HOB/GR SKIRT/LEVER							
12	SMCO3674.xx	BEVEL FAS,MPR445 OG							
12	SMCO3675.xx	BEVEL FAS,MPR445 OGI		LNSP/COM	BSP/COM	BSP/COM	BSP/COM	BSP/COM	
12	SMCO3676.xx	BEVEL FAS,MPR445 OGIL	LNSP/ELD						LNSP/COM
13	SPCO0980	LIGHT,OVEN 12V 77.912.2105.10	X						X
14	SPCO0243	SEAL,OVEN DOOR MK3 FRONT FLUE, SIDE OPEN 445, SG					X	X	
14	SPCO0246	SEAL,OVEN DOOR MK3 FRONT FLUE SG	X	X	X	X			X
15	SMCO3664.BK	HEAT DEFLECT,FASCIA,MPR445 BK	X	X	X	X	X	X	X
Not Shown	◆ SPCX0146	CLIP,J TYPE FOR NO 6 SCREW	X	X	X	X	X	X	X
Not Shown	◆ SPCX0175	WASHER, 18 x 4 x 1mm RED FIBRE	X	X	X	X	X	X	X
Not Shown	◆ SPCX0183	WASHER, 8MM OD x 4MM ID X 2.5MM THK	X	X	X	X	X	X	X
16	◆ SPCO0452	TAP,THERMOSTAT SABAF TS 5301/1							
16	◆ SPCC4150	TAP, THERMOSTAT, COPRECI, BYP0.30 (BLUE), CO-AXIAL							
16	◆ SPCO0472	TAP,THERMOSTAT SABAF TS 9138/1	X	X	X	X	X	X	X
16	◆ SPCC4150	TAP, THERMOSTAT, COPRECI, BYP0.30 (BLUE), CO-AXIAL	X	X	X	X	X	X	X
16	SPCC1125	THERMOCOUPLE, GRILL, FASTON, 600MM	X	X	X	X	X	X	X
16	SPCC4260	THERMOCOUPLE, SP GRILL, CO-AXIAL, 600MM	X	X	X	X	X	X	X
17	◆ SPCC0729	TAP GRIL FFD/8 FC 9131/1 0.45	X	X	X	X	X	X	X
Not Shown	◆ SPCC4101	TAP, STRAIGHT, COPRECI, BYP0.45 (WHITE), CO-AXIAL	X	X	X	X	X	X	X

MIDI PRIMA Mk III - SOP70000 (Parts List SOP70905 - SOP70955Z)

Part Codes & Descriptions highlighted Pale Green relate to Products			MODELS						
Exploded Drawing No.	Part Code	Part Description	70905	70910	70911	70912	70913	70914	70915
18	SMAC5446	TAP ASSY,MPR445 OGF SAB REAR							
18	SMAC5746	TAP ASSY, MPR445 OGF COP REAR							
18	SMAC5448	TAP ASSY,MPR445 OGF SAB LG/F07	X	X	X	X	X	X	X
18	SMAC5748	TAP ASSY, MPR445 OGF COP LG/F07	X	X	X	X	X	X	X
18	SMAC5448Z	TAP ASSY,MPR445 OGF SAB LG/F07 (AUS)							
18	SMAC5748Z	TAP ASSY, MPR445 OGF COP LG/F07 (AUS)							
18	SMAC5449	TAP ASSY,MPR445 OGF SAB LG/B07							
18	SMAC5749	TAP ASSY, MPR445 OGF COP LG/B07							
19	SPCC1399	GENERATOR,SPARK IGB 60 (12F)	X	X	X	X	X	X	X
20	SPCC1418	ELECTRODE,SPARK 300MM S/FIX (GRILL)	X	X	X	X	X	X	X
21	SPCC1120	THERMOCOUPLE, OVEN, FASTON, 1000MM	X	X	X	X	X	X	X
21	SPCC4230	THERMOCOUPLE, WORGAS OVEN BURNER, COAXIAL, 1000mm	X	X	X	X	X	X	X
22	SPCC1430	ELECTRODE,SPARK 650MM S/FIX (OVEN)	X	X	X	X	X	X	X
Not Shown	SPCC0770	JET, No65 S222/065 (AUS - OVEN)							
AVAILABILITY TBC	SPCX0027	JET, No.65, SOMIPRESS							
Not Shown	SPCC0773	JET, No59 S222/059 (OVEN)	X	X	X	X	X	X	X
AVAILABILITY TBC	SPCX0024	JET, No.59, SOMIPRESS	X	X	X	X	X	X	X
Not Shown	SPCC0775	JET, No62 S222/062 (GRILL)	X	X	X	X	X	X	X
AVAILABILITY TBC	SPCX0026	JET, No.62, SOMIPRESS	X	X	X	X	X	X	X
Not Shown	SMCO3684.BK	TRIM, FRONT, MIDI PRIMA 445 3/4 FL CRUSH BK	X	X	X	X	X	X	X
Not Shown	SMCO3685.BK	TRIM,FRONT,MIDI PRIMA 445 1/2 FL CRUSH BK							
Not Shown	SMAC0056	GRILL ASSY, 2005, NO HOOD	X	X	X	X	X	X	X
Not Shown	◆ SPCX0184	WASHER, STARLOCK 5MM	X	X	X	X	X	X	X
Not Shown	SG1090	GLASS,INNER DOOR CAP MK3 4MM	X	X	X	X	X	X	X
Not Shown	SMAC0063	GRILL PAN ASSY - LARGE,DETACH	X	X	X	X	X	X	X
Not Shown	SMAO0064	BURNER ASSY WORGAS COMPLETE, OVEN	X	X	X	X	X	X	X
Not Shown	SMCO0684	DOOR HINGE,UPPER 3200 SD OPEN OVEN					X	X	
Not Shown	SMCO0685	DOOR HINGE,LOWER 3200 SD OPEN OVEN					X	X	
Not Shown	SMCO3287	COVER,REAR BOTTOM,CAP/MPR	X	X	X	X	X	X	X
Not Shown	SPCC1186	HANDLE, DETACHABLE,GRILL PAN	X	X	X	X	X	X	X
Not Shown	SPCC1190	TRIVET - GRILL PAN LARGE	X	X	X	X	X	X	X
Not Shown	SPCO0124	BUSH, HINGE (For side opening oven door)					X	X	
Not Shown	SPCO0138	STUD,OVEN DOOR CATCH S/S (For side opening oven door)					X	X	
Not Shown	SPCO0140	CATCH,JETPRESS 41460-61 (For side opening oven door)					X	X	
Not Shown	SPCO0292	SHELF,OVEN (CAP/MPR 445&496)	X	X	X	X	X	X	X

MIDI PRIMA Mk III - SOP70000 (Parts List SOP70905 - SOP70955Z)

Part Codes & Descriptions highlighted Pale Green relate to Products			MODELS				
Exploded Drawing No.	Part Code	Part Description	70936	70937	70938	70939	70955Z
2	SPCO0134	CATCH,HAFELE 245.54.701 (For lower door)	X	X	X	X	
3	SPCO0282	SUPPORT,OVEN SHELF(CARA)	X	X	X	X	X
Not Shown	◆SPCX0190	WASHER,STARLOCK 6MM DT6493	X	X	X	X	X
4	SMAO3450.???	LOWER DOOR, PUSH, MPR445	MIR	MIR			
4	SMAO3452.MIR	LOWER DOOR,PUSH,MPR445 S MIR			X	X	
5	SMAO3430.xx	OVEN DOOR, MPR445			MIR2	MIR2	
5	SMAO3435.xx	OVEN DOOR, MPR445	MIR1	MIR1			BK5
6	SMAO3410.xx	GRILL DOOR,MPR445			MIR2	MIR2	
6	SMAO3415.xx	GRILL DOOR, MPR445	MIR1	MIR1			BK5
7	SPCC0595.xx	KNOB, OVEN, 2 PIECE	SA	SA	SA	SA	SA
7	SPCC0617.xx	KNOB,OVEN SKIRT/LEVER					
8	SPCC1340	SWITCH,ROCKER,RECT,BLK,"SPARK"	X	X	X	X	X
9	SPCC1341	SWITCH,ROCKER,RECT,BLK,"LAMP"					
10	SPCO0300.xx	HANDLE,RALLYE CHROME 338CRS					
10	SPCO0301.xx	HANDLE,RALLYE CHROME 390CRS					
10	SPCO0302.xx	HANDLE,KENSINGTON BRUSHED NICKEL 390CRS					
10	SPCO0307.xx	HANDLE,ELLIPSE 390CRS					
10	SPCO0308.xx	HANDLE,T-BAR 12mm <->SS 390CRS	S	S			S
10	SPCO0315.xx	HANDLE,T-BAR 12mm <->SS 338CRS			S	S	
10	SPCO0325.xx	HANDLE, ICE, CHROME 338CRS					
10	SPCO0326.xx	HANDLE, ICE, CHROME 390CRS					
11	SPCC0590.xx	KNOB, HOB/GR, 2 PIECE	SA	SA	SA	SA	SA
11	SPCC0618.xx	KNOB,HOB/GR SKIRT/LEVER					
12	SMCO3674.xx	BEVEL FAS,MPR445 OG		BK1	BK1		
12	SMCO3675.xx	BEVEL FAS,MPR445 OGI	BK			BK	BSP
12	SMCO3676.xx	BEVEL FAS,MPR445 OGIL					
13	SPCO0980	LIGHT,OVEN 12V 77.912.2105.10					
14	SPCO0243	SEAL,OVEN DOOR MK3 FRONT FLUE, SIDE OPEN 445, SG			X	X	
14	SPCO0246	SEAL,OVEN DOOR MK3 FRONT FLUE SG	X	X			X
15	SMCO3664.BK	HEAT DEFLECT,FASCIA,MPR445 BK	X	X	X	X	X
Not Shown	◆ SPCX0146	CLIP,J TYPE FOR NO 6 SCREW	X	X			X
Not Shown	◆ SPCX0175	WASHER, 18 x 4 x 1mm RED FIBRE	X	X	X	X	X
Not Shown	◆ SPCX0183	WASHER, 8MM OD x 4MM ID X 2.5MM THK	X	X	X	X	X
16	◆ SPCO0452	TAP,THERMOSTAT SABAF TS 5301/1					
16	◆ SPCC4150	TAP, THERMOSTAT, COPRECI, BYP0.30 (BLUE), CO-AXIAL					
16	◆ SPCO0472	TAP,THERMOSTAT SABAF TS 9138/1	X	X	X	X	X
16	◆ SPCC4150	TAP, THERMOSTAT, COPRECI, BYP0.30 (BLUE), CO-AXIAL	X	X	X	X	X
16	SPCC1125	THERMOCOUPLE, GRILL, FASTON, 600MM	X	X	X	X	X
16	SPCC4260	THERMOCOUPLE, SP GRILL, CO-AXIAL, 600MM	X	X	X	X	X
17	◆ SPCC0729	TAP GRIL FFD/8 FC 9131/1 0.45	X	X	X	X	X
Not Shown	◆ SPCC4101	TAP, STRAIGHT, COPRECI, BYP0.45 (WHITE), CO-AXIAL	X	X	X	X	X

MIDI PRIMA Mk III - SOP70000 (Parts List SOP70905 - SOP70955Z)

Part Codes & Descriptions highlighted Pale Green relate to Products			MODELS				
Exploded Drawing No.	Part Code	Part Description	70936	70937	70938	70939	70955Z
18	SMAC5446	TAP ASSY,MPR445 OGF SAB REAR					
18	SMAC5746	TAP ASSY, MPR445 OGF COP REAR					
18	SMAC5448	TAP ASSY,MPR445 OGF SAB LG/F07	X	X	X	X	
18	SMAC5748	TAP ASSY, MPR445 OGF COP LG/F07	X	X	X	X	
18	SMAC5448Z	TAP ASSY,MPR445 OGF SAB LG/F07 (AUS)					X
18	SMAC5748Z	TAP ASSY, MPR445 OGF COP LG/F07 (AUS)					X
18	SMAC5449	TAP ASSY,MPR445 OGF SAB LG/B07					
18	SMAC5749	TAP ASSY, MPR445 OGF COP LG/B07					
19	SPCC1399	GENERATOR,SPARK IGB 60 (12F)	X			X	X
20	SPCC1418	ELECTRODE,SPARK 300MM S/FIX (GRILL)	X			X	X
21	SPCC1120	THERMOCOUPLE, OVEN, FASTON, 1000MM	X	X	X	X	X
21	SPCC4230	THERMOCOUPLE, WORGAS OVEN BURNER, COAXIAL, 1000mm	X	X	X	X	X
22	SPCC1430	ELECTRODE,SPARK 650MM S/FIX (OVEN)	X			X	X
Not Shown	SPCC0770	JET, No65 S222/065 (AUS - OVEN)					X
AVAILABILITY TBC	SPCX0027	JET, No.65, SOMIPRESS					X
Not Shown	SPCC0773	JET, No59 S222/059 (OVEN)	X	X	X	X	
AVAILABILITY TBC	SPCX0024	JET, No.59, SOMIPRESS	X	X	X	X	
Not Shown	SPCC0775	JET, No62 S222/062 (GRILL)	X	X	X	X	X
AVAILABILITY TBC	SPCX0026	JET, No.62, SOMIPRESS	X	X	X	X	X
Not Shown	SMCO3684.BK	TRIM, FRONT, MIDI PRIMA 445 3/4 FL CRUSH BK	X	X	X	X	
Not Shown	SMCO3685.BK	TRIM,FRONT,MIDI PRIMA 445 1/2 FL CRUSH BK				X	
Not Shown	SMAC0056	GRILL ASSY, 2005, NO HOOD	X	X	X	X	X
Not Shown	◆ SPCX0184	WASHER, STARLOCK 5MM	X	X	X	X	X
Not Shown	SG1090	GLASS,INNER DOOR CAP MK3 4MM	X	X	X	X	X
Not Shown	SMAC0063	GRILL PAN ASSY - LARGE,DETACH	X	X	X	X	X
Not Shown	SMAO0064	BURNER ASSY WORGAS COMPLETE, OVEN	X	X	X	X	X
Not Shown	SMCO0684	DOOR HINGE,UPPER 3200 SD OPEN OVEN			X	X	
Not Shown	SMCO0685	DOOR HINGE,LOWER 3200 SD OPEN OVEN			X	X	
Not Shown	SMCO3287	COVER,REAR BOTTOM,CAP/MPR	X	X	X	X	X
Not Shown	SPCC1186	HANDLE, DETACHABLE,GRILL PAN	X	X	X	X	X
Not Shown	SPCC1190	TRIVET - GRILL PAN LARGE	X	X	X	X	X
Not Shown	SPCO0124	BUSH, HINGE (For side opening oven door)			X	X	
Not Shown	SPCO0138	STUD,OVEN DOOR CATCH S/S (For side opening oven door)			X	X	
Not Shown	SPCO0140	CATCH,JETPRESS 41460-61 (For side opening oven door)			X	X	
Not Shown	SPCO0292	SHELF,OVEN (CAP/MPR 445&496)	X	X	X	X	X

MIDI PRIMA Mk IV

IMPORTANT INFORMATION

Midi PrimaMKIV ovens have been built with two different sets of gas taps, burners and thermocouples.

The Midi Prima MKIV Serial Number changeover was 11 11 379094001

11 Indicates year of manufacture 2011

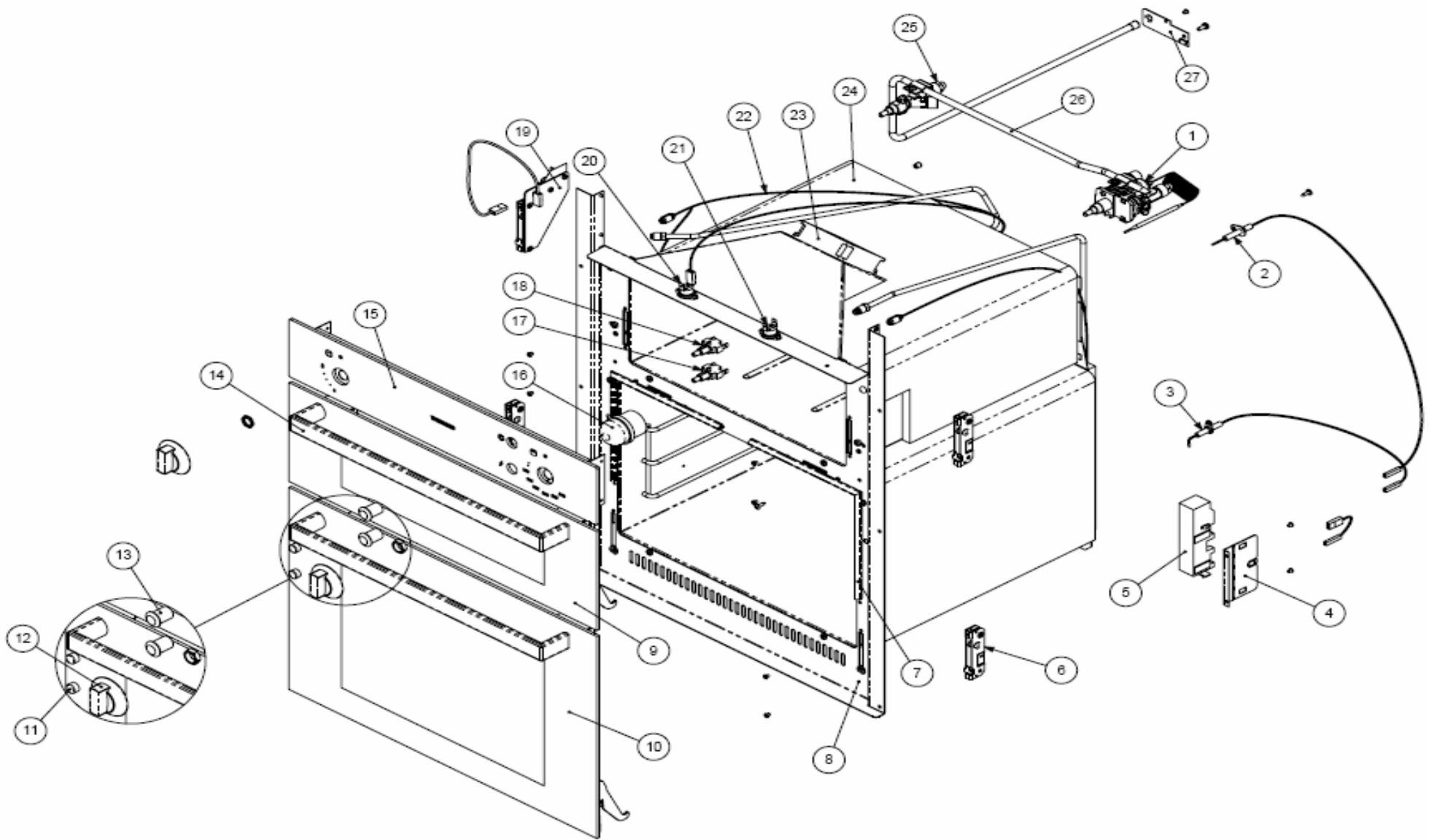
11 Indicates week of manufacture

379094001 Indicates unique serial number

For all serial numbers before this time where week is less than 11 and/or year is less than 11 **please use Exploded View and Standard items on parts list**
If serial number does not follow the above pattern also use these parts

For all serial numbers after this time where week is greater than 11 and/or year is equal to or more than 11 **please use Exploded View and Green shaded items on parts list**

MIDI PRIMA Mk IV - SOP13900 - EXPLODED DRAWING (NEW Components) Manufactured FROM 21.03.2011



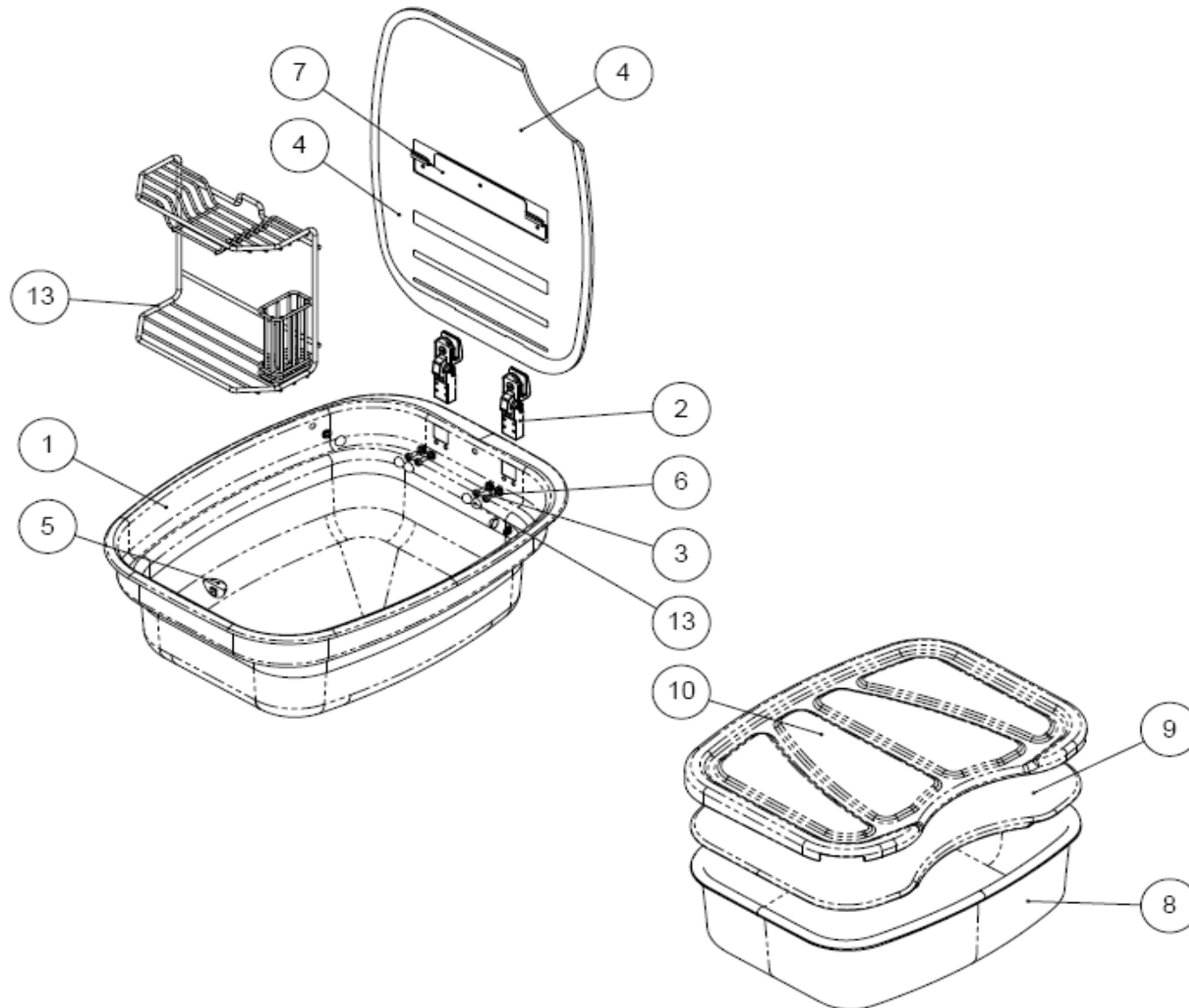
MIDI PRIMA Mk IV - SOP139xx

Part Codes & Descriptions highlighted Pale Green relate to Products			MODELS						
Exploded Drawing No.	Part Code	Part Description	13900	13905	13906	13910	13911	13915	13920
1	◆ SPC00472	TAP,THERMOSTAT SABAF TS 9138/1	X	X	X	X	X	X	X
1	◆ SPCC4150	TAP, THERMOSTAT, COPRECI, BYP0.30 (BLUE), CO-AXIAL	X	X	X	X	X	X	X
2	SPCC1430	ELECTRODE,SPARK 650MM S/FIX (OVEN)	X	X	X	X	X	X	X
3	SPCC1417	ELECTRODE,SPARK 450MM S/FIX	X	X	X	X	X	X	X
5	SPCC1397	GENERATOR,SPARK 12V UBZ6 VAR4000 CE/CSA APP	X	X	X	X	X	X	X
7	SPCO0246	SEAL,OVEN DOOR MK3 FRONT FLUE SG	X	X	X	X	X	X	X
9	SMAO4120.BK7	GRILL DOOR						X	X
9	SMAO4120.BK6	GRILL DOOR				X	X		
9	SMAO4120.BK5	GRILL DOOR	X	X	X				
10	SMAO4130.BK7	OVEN DOOR, DROP DOWN						X	X
10	SMAO4135.BK6	OVEN DOOR, SIDE OPEN					X		
10	SMAO4130.BK6	OVEN DOOR, DROP DOWN				X			
10	SMAO4135.BK5	OVEN DOOR, SIDE OPEN			X				
10	SMAO4130.BK5	OVEN DOOR, DROP DOWN	X	X					
11	SPCC1377	SWITCH, MOMENTARY ON, BLACK, SWIFT DF	X	X	X	X	X	X	X
11	SPCC1386	BUTTON, ROUND, BLACK, SWIFT DF	X	X	X	X	X	X	X
12	SPCC0595.CR	KNOB, OVEN, 2 PIECE CR/BK						X	
12	SPCC0599.BK	KNOB, CONTROL, TEARDROP, BLACK				X	X		
12	SPCC0595.SA	> KNOB, OVEN, 2 PIECE SA/BK		X	X				
13	SPCC1378	SWITCH, ON/OFF, BLACK	X						X
13	SPCC1387	BEZEL, SNAP FIT, BLACK, SWIFT DF	X	X	X	X	X	X	X
14	SPCO0355.CR	HANDLE, CURVED BOW, CHROME 390mm Centres						X	X
14	SMCO0391.BK	HANDLE,HEADON 390CRS BLACK				X	X		
14	SPCO0323.BNK	HANDLE, V CUT, BRIGHT NICKEL, 390mm ctr	X	X	X				
15	SMCO4450.BK	FASCIA, MK4 MIDI PRIMA, OGI, BLACK "THETFORD"		X	X	X	X	X	
15	SG141.BK	GLASS, FASCIA, M/PR MK4, I, LIGHT,THETFORD, BK CLR	X						X
16	SPCO0980	LIGHT,OVEN 12V 77.912.2105.10	X						X
22	SPCC1125	THERMOCOUPLE, GRILL, FASTON, 600MM	X	X	X	X	X	X	X
22	SPCC4260	THERMOCOUPLE, SP GRILL, CO-AXIAL, 600MM	X	X	X	X	X	X	X
23	SMAC0056	GRILL ASSY, 2005, NO HOOD	X	X	X	X	X	X	X
23	◆ SPCX0184	WASHER, STARLOCK 5MM	X	X	X	X	X	X	X
25	◆ SPCC0729	TAP GRIL FFD/8 FC 9131/1 0.45	X	X	X	X	X	X	X
25	◆ SPCC4101	TAP, STRAIGHT, COPRECI, BYP0.45 (WHITE), CO-AXIAL	X	X	X	X	X	X	X
26	SMAC4422	TAP ASSY, OGF, SAB, MK4 MIDI PRIMA, REAR	X	X	X	X	X	X	X
26	SMAC5746	TAP ASSY, MPR445 OGF COP REAR	X	X	X	X	X	X	X
Not Shown	SPCC0773	JET, No59 S222/059 (OVEN)	X	X	X	X	X	X	X
AVAILABILITY TBC	SPCX0024	JET, No.59, SOMIPRESS	X	X	X	X	X	X	X
Not Shown	SPCC0775	JET, No62 S222/062 (GRILL)	X	X	X	X	X	X	X

MIDI PRIMA Mk IV - SOP139xx

Part Codes & Descriptions highlighted Pale Green relate to Products			MODELS						
Exploded Drawing No.	Part Code	Part Description	13900	13905	13906	13910	13911	13915	13920
AVAILABILITY TBC	SPCX0026	JET, No.62, SOMIPRESS	X	X	X	X	X	X	X
Not Shown	SPCO0282	SUPPORT, SHELF, 3 POSITION, 55MM CRS, CHROME	X	X	X	X	X	X	X
Not Shown	SPCX0190	WASHER,STARLOCK 6MM DT6493	X	X	X	X	X	X	X
Not Shown	SMCO4460.BK	TRIM, FRONT, 1/2, SS/ALU, LOCK, M/PR4, BK	X	X		X		X	X
Not Shown	SMCO4461.BK	TRIM, FRONT, 1/2, SS/ALU, LOCK,SIDE OPEN,M/PR4, BK			X		X		
Not Shown	SPCC0580.XX	KNOB, BLANK, 2 PIECE CR/BK	SA						CR
Not Shown	SPCC0590.XX	KNOB, HOB/GR, 2 PIECE CR/BK		SA	SA			CR	
Not Shown	SG1090	GLASS,INNER DOOR CAP MK3 359x288x4mm	X	X	X	X	X	X	X
Not Shown	SMAC0063	GRILL PAN ASSY - LARGE,DETACH	X	X	X	X	X	X	X
Not Shown	SMAO0064	BURNER ASSY WORGAS COMPLETE, OVEN	X	X	X	X	X	X	X
Not Shown	SPCC1120	THERMOCOUPLE, OVEN, FASTON, 1000MM	X	X	X	X	X	X	X
Not Shown	SPCC4230	THERMOCOUPLE, WORGAS OVEN BURNER, COAXIAL, 1000mm	X	X	X	X	X	X	X
Not Shown	SPCC1186	HANDLE, DETACHABLE,GRILL PAN	X	X	X	X	X	X	X
Not Shown	SPCC1190	TRIVET - GRILL PAN LARGE	X	X	X	X	X	X	X
Not Shown	SPCO0139	STUD,OVEN DOOR CATCH S/S LONG			X		X		
Not Shown	SPCO0140	CATCH,JETPRESS 41460-61 (For side opening oven door)			X		X		
Not Shown	SPCO0292	SHELF,OVEN (CAP/MPR 445&496)	X	X	X	X	X	X	X

KITCHEN CENTRE - EXPLODED DRAWING (GENERIC)



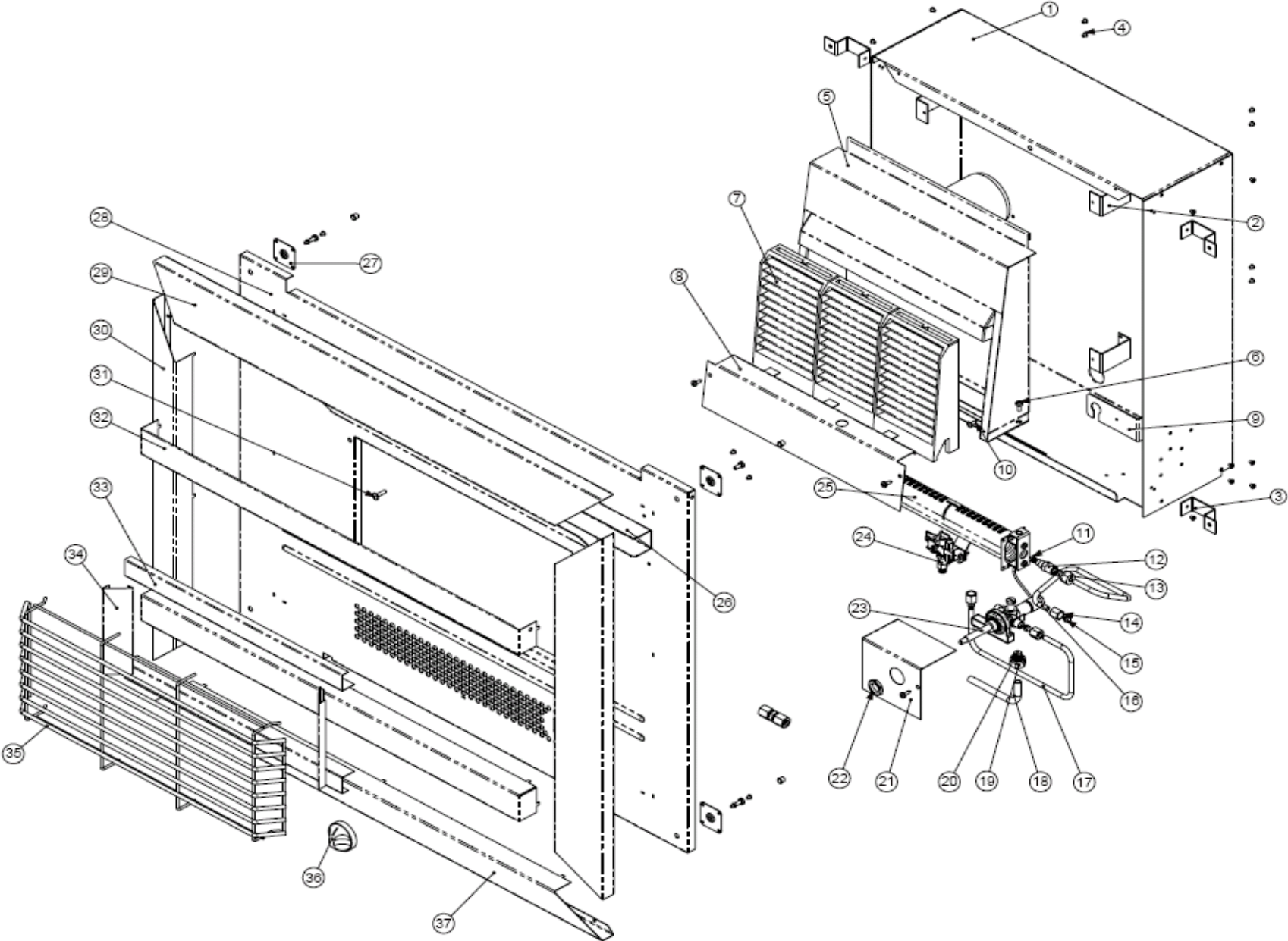
BL1000

KITCHEN CENTRE

MODELS sbi

	PARTS CODE	DESCRIPTION	1000	1001Y	1002	1003	1004	1004Z	1005	1006	1007Y	1008	1010	1090	1091	1095	1097	1098
1	SMCP6500.BS	Pressing, Arg Bowl 360x470 Lid BS	x	x	x	x	x					x	x					
1	SMCP6500Z.BS	Pressing, Arg Bowl 360x470 Lid BS (AUS)						x										
1	SMCP6510.BS	Pressing, Arg Bowl 360x470 BS							x	x								
1	SMCP6520.BS	Pressing, Arg Bowl 360x470x0.9 BS LID									x							
1	SMCP6500.LNS	Pressing, Arg Bowl 360x470 LID LNS												x	x		x	x
1	SMCP6510.LNS	Pressing, Arg Bowl 360x470 LNS														x		
2	SPCC2003.BK	Hinge, Glass Lid 2004 Style	x	x	x	x	x	x			x	x	x	x	x		x	x
3	SPCX0370	Washer, Cap Ring, M4, Nylon, White	x	x	x	x	x	x			x	x	x	x	x		x	x
4	SG950.BK	Glass Lid, Argent Bowl, Chin BK (Explorer)	x	x										x				
4	SGL1091	Glass Lid, Argent Bowl, Chin BK (Explorer/Warning)			x	x	x	x							x			
4	SGL1093	Glass Lid, Argent Bowl, BLK (Explorer)									x							
4	SG956.BK	Glass Lid, Argent Bowl, Plain, BK										x	x					
4	SGL1092	Glass Lid, Argent Bowl, Plain, BK															x	
4	SG955.BK	*Inactive* Glass Lid, Argent Bowl, Chin, BK																x
5	SPCX0386	Bump Stop, rubber, S/Fix, Quart	x	x	x	x	x	x			x	x	x	x	x		x	x
6	SPCX0135	Screw, M4x10 Pozzi P/H BZP	x	x	x	x	x	x			x	x	x	x	x		x	x
7	SAC0611	Combined drainage rack/cutlery Box		x	x	x	x	x			x				x		x	
8	SAC0630	Separate Drainer, Kitchen Centre		x				x			x		x				x	
9	SAC0640	Chopping Board		x	x			x			x		x				x	
10	SAC0140	Plastic Wash Bowl		x	x			x			x		x				x	
13	SPCX0371.GR	Cover, Cap Ring, M4, Nylon, Grey	x	x	x	x	x	x	x	x	x	x	x	x	x	x	x	x
	SPCC2420	Sticker, removable, Chinchilla	x	x	x	x	x	x						x	x		x	x
	SPCX0369	Washer, Shoulder, M4, Nylon, White	x	x	x	x	x	x	x	x	x	x	x	x	x	x	x	x
	SPCC1206	Bezel, inset/Lip, 1430mm Bowl BK	x	x	x	x	x	x	x	x	x	x	x	x	x	x	x	x
	SAC0650	Lid retainer, Glass Lid, Black		x							x							
	SAC0652.BK	Arm, Lid retainer, Glass Lid, Black		x							x							
	SPCX0178.BK	Washer, 2BA, Black fibre		x							x							
	SPCX0217	Washer, Domed Cap, Starlock 5mm		x							x							
	SAC0651.BK	Base, Lid retainer, Kitchen Centre, Black									x							
	SPCX0400	Clamp sleeve, plastic, Cam Hinge, Black									x							

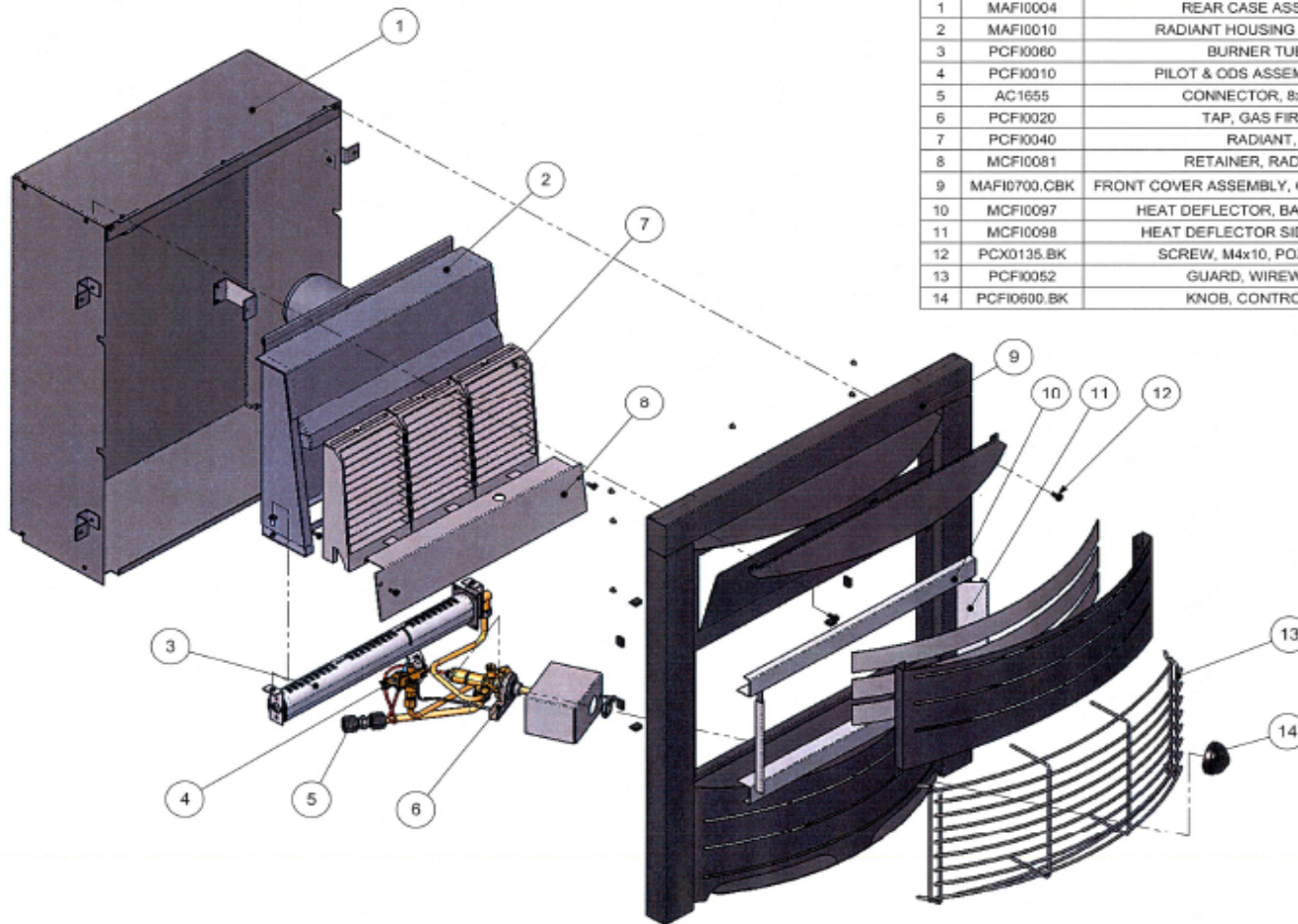
LANDSCAPE SFI23000 - EXPLODED DRAWING (GENERIC)



LANDSCAPE GAS FIRE - SFI23000

DRW No	PART CODE	DESCRIPTION	MODELS				
			23900	23900NG	23920	23930	23950
1	SFI23000	Fire (LPG) complete rear assembly			x	x	x
1	SFI23000NG	Fire (NG) complete rear assembly		x			
1	SFI23010	Fire (LPG) complete rear assembly	x				
5	SMAFI0010	Radiant Housing Assembly	x	x	x	x	x
7	SPCFI0040	Radiant Gas Fire (3 per pack - code refe	x	x	x	x	x
8	SMCFI0081	Retainer Radiants, Larger, LS	x	x	x	x	x
11	SPCFI0015	Injector 1.0mm	x		x	x	x
11	SPCFI0016	Injector 1.4mm		x			
22	SPCFI0021	Locknut, gas tap	x	x	x	x	x
23	SPCFI0020	Tap, Gas Fire 3.8kw LPG	x	NG	x	x	x
24	SPCFI0010	Pilot & ODS Assembly	x	NG	x	x	x
25	SMAFI0025	Burner Assembly	x	x	x	x	x
	◆ SMAFI0023	Burner & Tap Assembly LPG			x	x	x
	◆ SMAFI0023NG	Burner & Tap Assembly NG		x			
	◆ SMAFI0024	Burner & Tap Assembly LPG	x				
28	SMAFI0602.CBK/??	Front cover & Trim Assembly	GSL	GSL	UG	BG	BS
35	SPCFI0050	Guard wirework, chrome plated	x	x	x	x	x
36	SPCFI0600.BK	Knob, Control Fire BK LAM	x	x	x	x	x

LUMINAIRE GAS FIRE - EXPLODED DRAWING

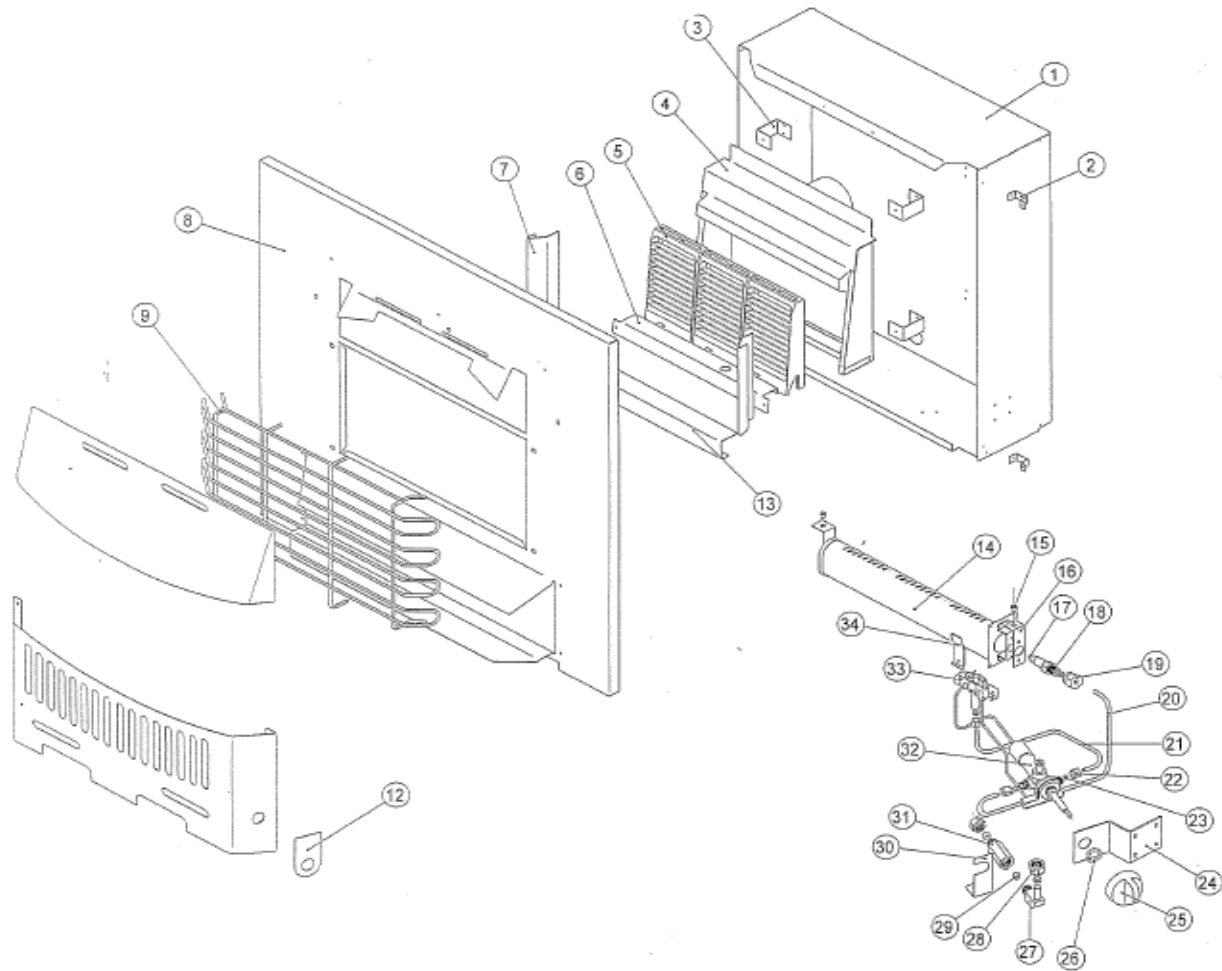


ITEM NO.	PART NUMBER	DESCRIPTION	QTY.
1	MAFI0004	REAR CASE ASSEMBLY, FI24000	1
2	MAFI0010	RADIANT HOUSING ASSEMBLY, FI24000	1
3	PCFI0060	BURNER TUBE, WORGAS	1
4	PCFI0010	PILOT & ODS ASSEMBLY, COPRECI LPG	1
5	AC1655	CONNECTOR, 8x8mm STRAIGHT	2
6	PCFI0020	TAP, GAS FIRE, 3.8KW LPG	1
7	PCFI0040	RADIANT, GAS FIRE	3
8	MCFI0081	RETAINER, RADIANTS, LARGER	1
9	MAFI0700.CBK	FRONT COVER ASSEMBLY, CURVED, 3 SLOTS, SLIMLINE	1
10	MCFI0097	HEAT DEFLECTOR, BASE, STAINLESS STEEL	2
11	MCFI0098	HEAT DEFLECTOR SIDE, STAINLESS STEEL	2
12	PCXD135.BK	SCREW, M4x10, POZI P/H CHEM BLACK	2
13	PCFI0052	GUARD, WIREWORK, SLIMLINE	1
14	PCFI0600.BK	KNOB, CONTROL FIRE BK, LAM	1

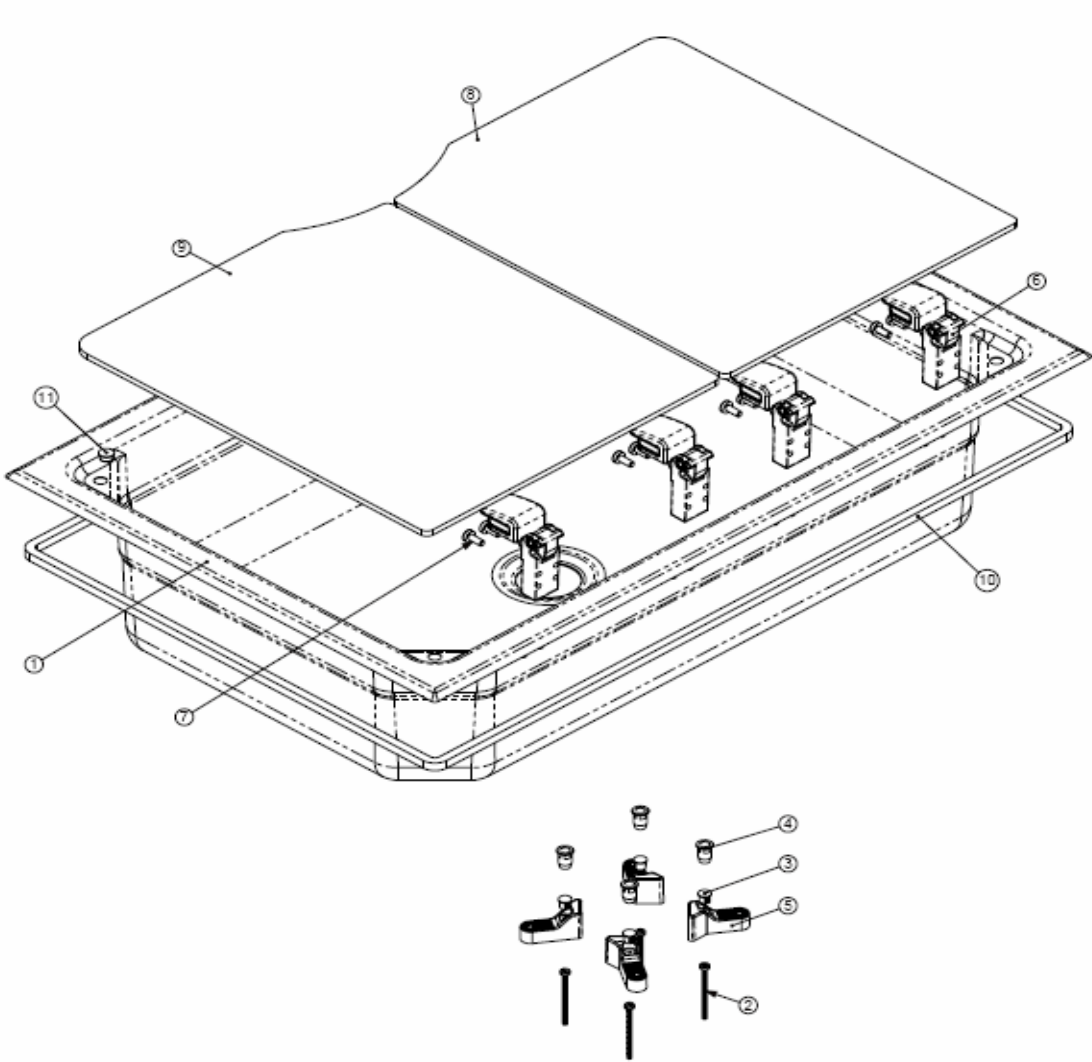
LUMINAIRE GAS FIRE - SFI24900

DRW No	PART CODE	DESCRIPTION
1	SMAFI0004	Rear case Assembly, FI2400
	♦ SFI24010	Comp. Rear Case Assembly (inc. Drw No's 1 - 7 and pipework)
2	SMAFI0010	Radiant Housing Assembly, FI2400
3	SPCFI0060	Burner Tube, Worgas
4	SPCFI0010	Pilot & ODS assembly
6	SPCFI0020	Tap, Gas Fire, 3.8kw LPG
	♦ SMAFI0026	Comp. Burner Assembly (inc. Drw No's 3 - 6 and pipework)
7	SPCFI0040	Radiant, Gas Fire
8	SMCFI0081	Retainer Bar, Radiants, Larger
9	SMAFI0700.CBK	Comp. Front Cover Assy, curved, 3 slots, Slimline
13	SPCFI0052	Guard, Wirework, Slimline
14	SPCFI0600.BK	Knob, Control, Fire BK, Lam

SOLAIRES GAS FIRE - EXPLODED DRAWING (GENERIC)



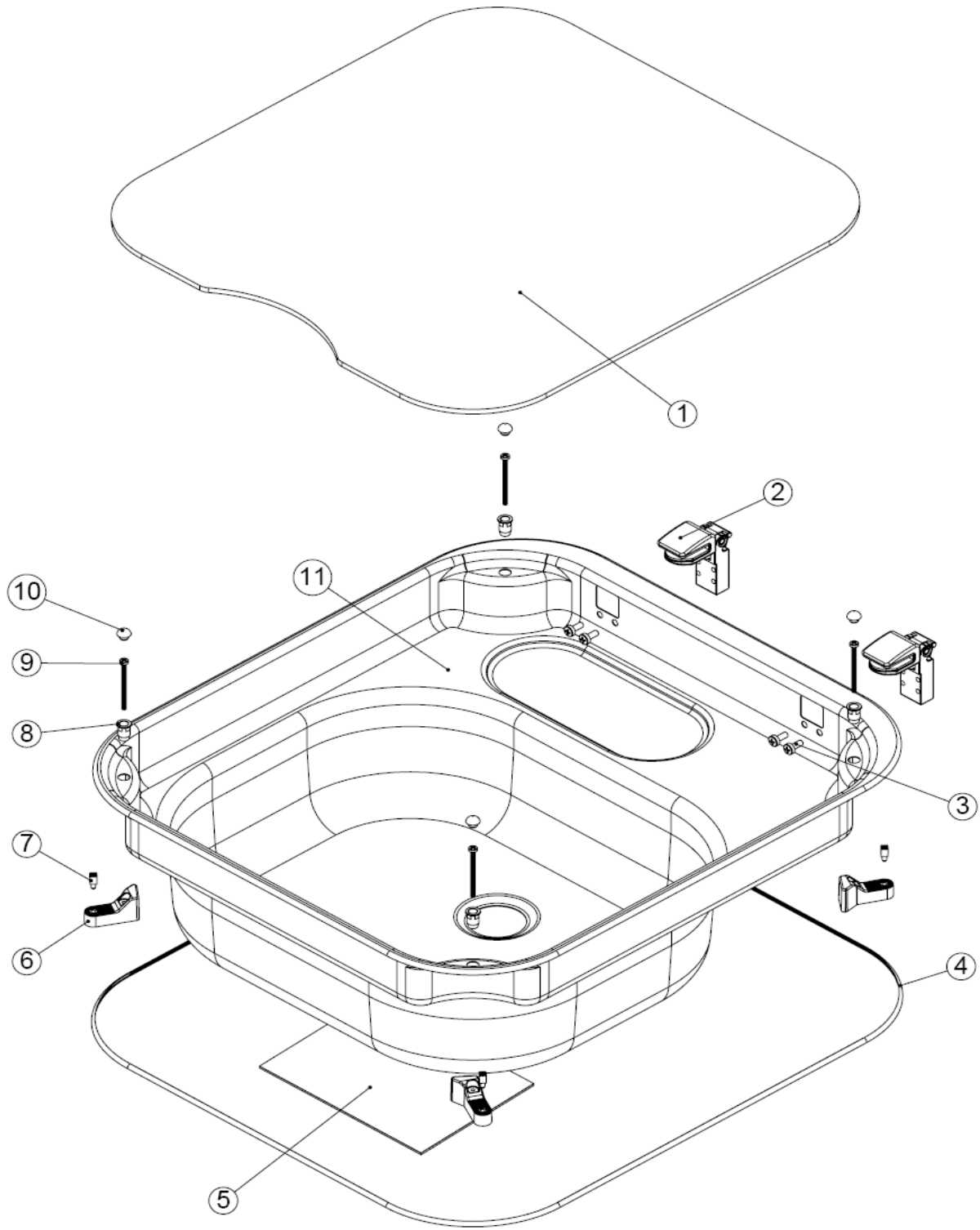
SBL17xx EXPLODED DRAWING



LINEAR BOWL SBL1700 - SBL1735

Exploded Drawing No.	Part Code	Part Description	Models				
			SBL1700	SBL1710	SBL1715	SBL1725	SBL1735
Not Shown	SG975.BK	GLASS, LID, LINEAR BOWL, BK/GR		X	X		
Not Shown	SG976.BK	GLASS, LID, LINEAR BOWL, HINGED LONG SIDE BK/GR				X	
8	SG977.BK	GLASS, SPLIT LID, LINEAR BOWL, LH, BK/GR					X
9	SG978.BK	GLASS, SPLIT LID, LINEAR BOWL, RH, BK/GR					X
1	SMCP8100.S	PRESSING, LINEAR BOWL, NO LID, SBS, UK	X	X			
1	SMCP8115.S	PRESSING, LINEAR BOWL, LID, SBS, EURO			X		
1	SMCP8125.S	PRESSING, LINEAR BOWL, LID (LONG), SBS, EURO				X	
1	SMCP8135.S	PRESSING, LINEAR BOWL, LID (SPLIT), SBS, EURO					X
10	SPCC1219	SEAL, BLACK FOAM, 6mm x 6mm x 10m lg,SELF ADHESIVE	X	X	X	X	X
6	SPCC2003.B	HINGE, GLASS LID 2004 STYLE		X	X	X	X
2	SPCX0116S	SCREW, M3X40 POZI PAN M/SCREW DIN7985 SS	X	X	X	X	X
7	SPCX0135	SCREW, M4X10 POZI P/H BZP		X	X	X	X
3	SPCX0350	PLUG, DOME, DIA7.9x1.6mm HEAD, NYLON 66, BLACK	X	X	X	X	X
11	SPCX0383	BUMP STOP, DIA9.4 x 4.8mm HIGH, SA, BLACK		X	X	X	X
4	SPCX0415	> BUSH, SNAP FIT, CR CLAMP SYSTEM, BLACK	X	X	X	X	X
5	SPCX0416	> CLAMPING ARM, CR CLAMP SYSTEM, BLACK	X	X	X	X	X
Not Shown	SPCX0417	SPACING PLUG, PUSH FIT, CR CLAMP SYSTEM, BLACK		X	X	X	X

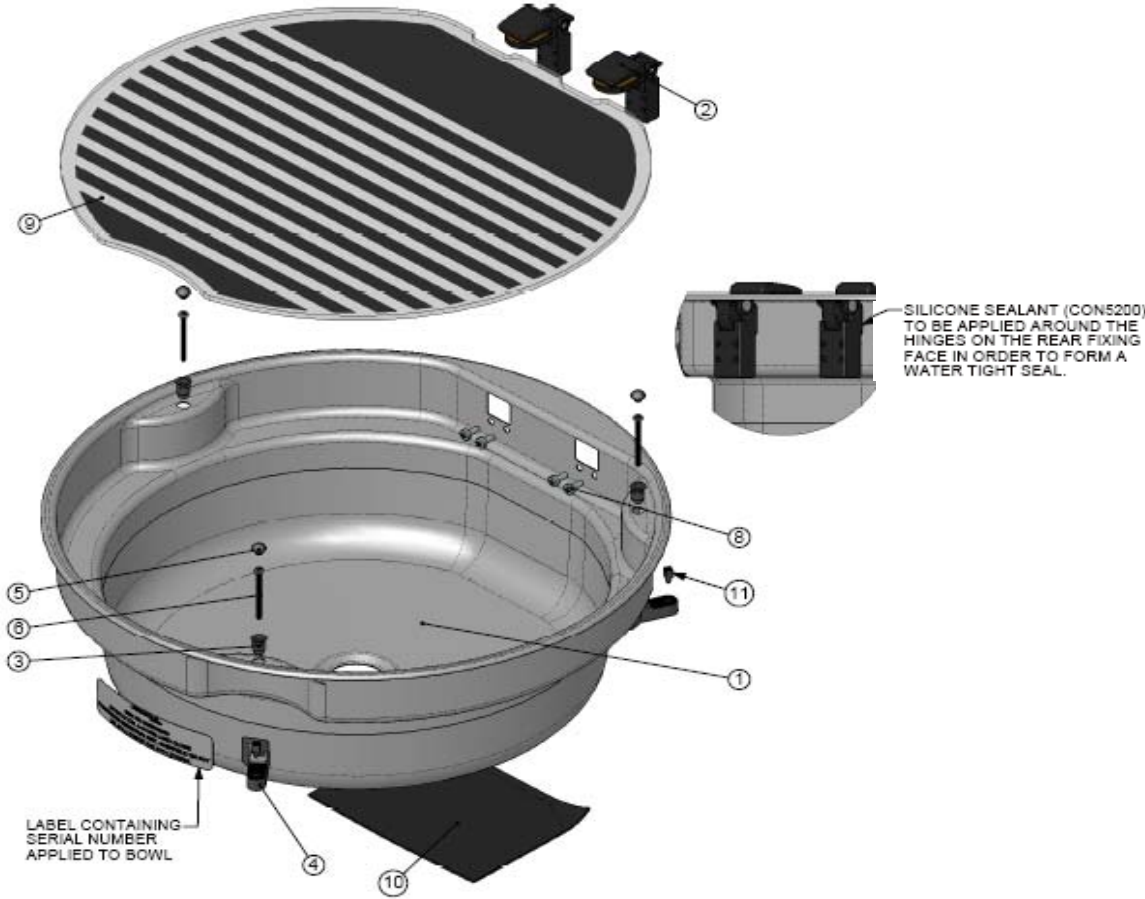
RECTANGULAR BOWL, CONTINENTAL SB3400 - EXPLODED DRAWING (GENERIC)



RECTANGULAR BOWL, CONTINENTAL SBL3400

DRW No.	PART CODE	DESCRIPTION	MODELS			
			3400	3405	3410	3420
1	SG935.BK	Glass Lid, CR Rect Bowl - CHQ BK	X		X	
1	SG936.BK	Glass Lid, CR Rect Bowl				X
1	SG938.BK	Glass Lid, CR Rect Bowl - Solid BK		X		
2	SPCC2003.BK	Hinge, Glass Lid, 2004 Style	X	X	X	X
4	SPCC1210	Bezel, Black, self adhesive, silicone rubber		X		
4	SPCC1221	Bezel, cut & join, 1482mm, surf. mount.	X		X	X
6	SPCX0416	Clamping Arm, CR Clamp System, BK	X	X	X	X
7	SPCX0415	Bush, snap-fit, CR Clamp System, BK	X	X	X	X
8	SPCX0417	Spacing plug, push-fit, BK	X	X	X	X
9	SPCX0116S	Screw, M3x40 Pozi Pan M/Screw	X	X	X	X
10	SPCX0391	Bump Stop, push-fit	X	X	X	X
11	SMCP7500	Press, Rect CR Bowl, Lid, No DH, No TH, BS	X	X		
11	SMCP7505	Press, Rect CR Bowl, Lid, No DH, TH33, BS			X	X

SBL3000 ROUND BOWL - EXPLODED DRAWING (GENERIC)

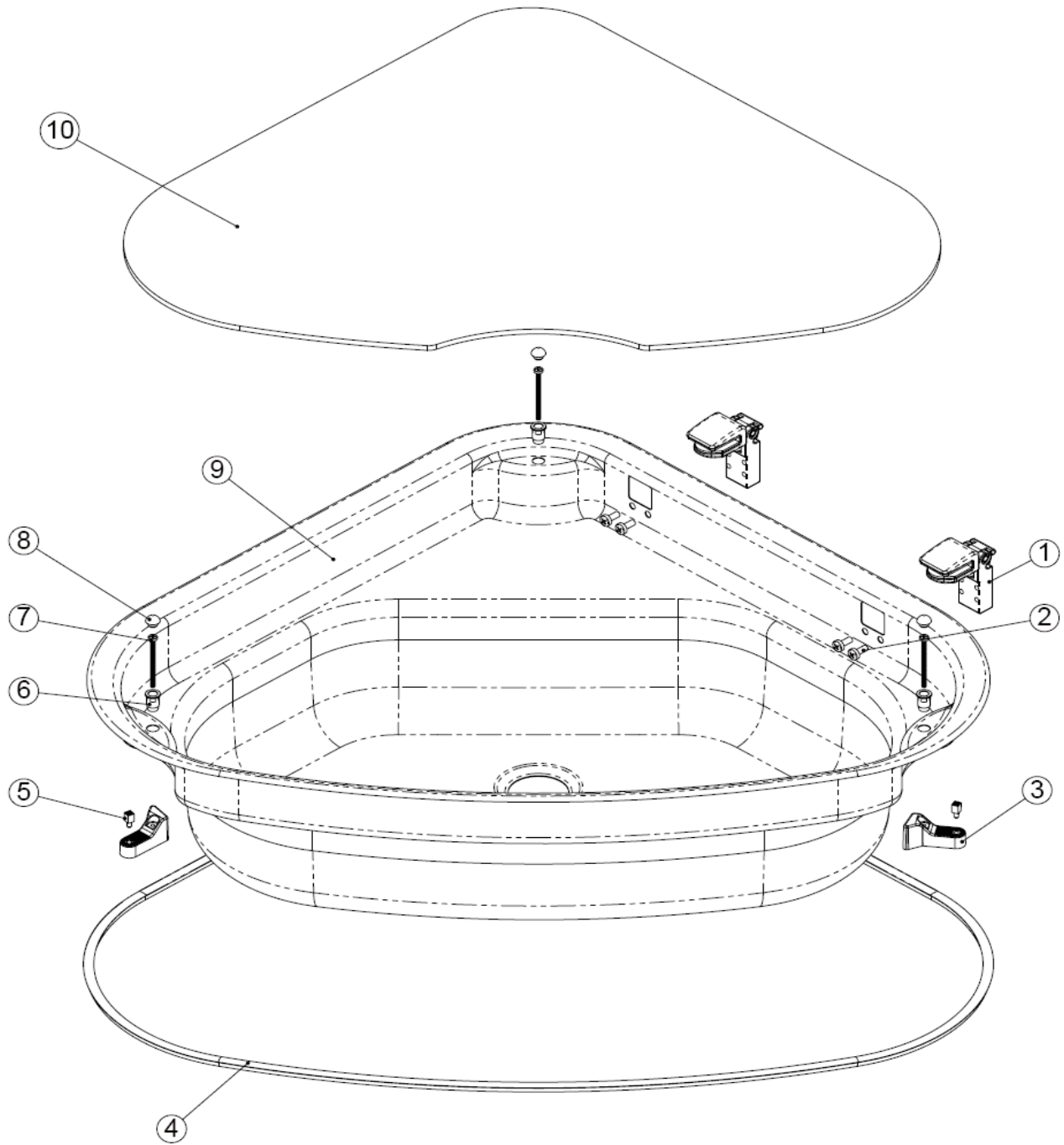


SBL3000 ROUND BOWL

MODELS

DRW No.	PART CODE	DESCRIPTION	3005	3006	3011	3015	3016	3050	3055
1	SMCP7700	Pressing, Round Bowl, BS, Lid, No TH			X	X	X		
1	SMCP7701	Pressing, Round Bowl, BS, No Lid, No TH	X	X					
1	SMCP7710	Pressing, Round Bowl, BS, Lid, TH						X	
1	SMCP7711	Pressing, Round Bowl, BS, No Lid, TH							X
2	SPCC2003.BK	Hinge, Glass Lid 2004 Style			X	X	X	X	
3	SPCX0417	Spacing Plug, push fit, CR Clamp System, BK	X	X	X	X	X	X	X
4	SPCX0416	Clamping Arm, CR Clamp System, BK	X	X	X	X	X	X	X
5	SPCX0391	Bump Stop, push fit	X	X	X	X	X	X	X
6	SPCX0116S	Screw, M3x40 Pozi Pan M/Screw	X	X	X	X	X	X	X
9	SG960.BK	Glass Lid, Round Bowl - BLK Stripe, inset hinge			X				
9	SG961.BK	Glass Lid, Round Bowl - BLK CHQ				X	X	X	
10	SAC0100	Mat Anti-Drumming 150 x 105mm S/Adhesive		X	X		X		
11	SPCX0415	Bush, snap fit, CR Clamp System, BK	X	X	X	X	X	X	X
	SPCC1228	Bezel, cut & join 1210mm, Top Mount	X	X	X	X	X	X	X
	SAC0660	Water Drain, Angled, 39mm SS Insert Plug		X	X		X		

TRIANGULAR BOWL, CONTINENTAL SB3300 - EXPLODED DRAWING (GENERIC)

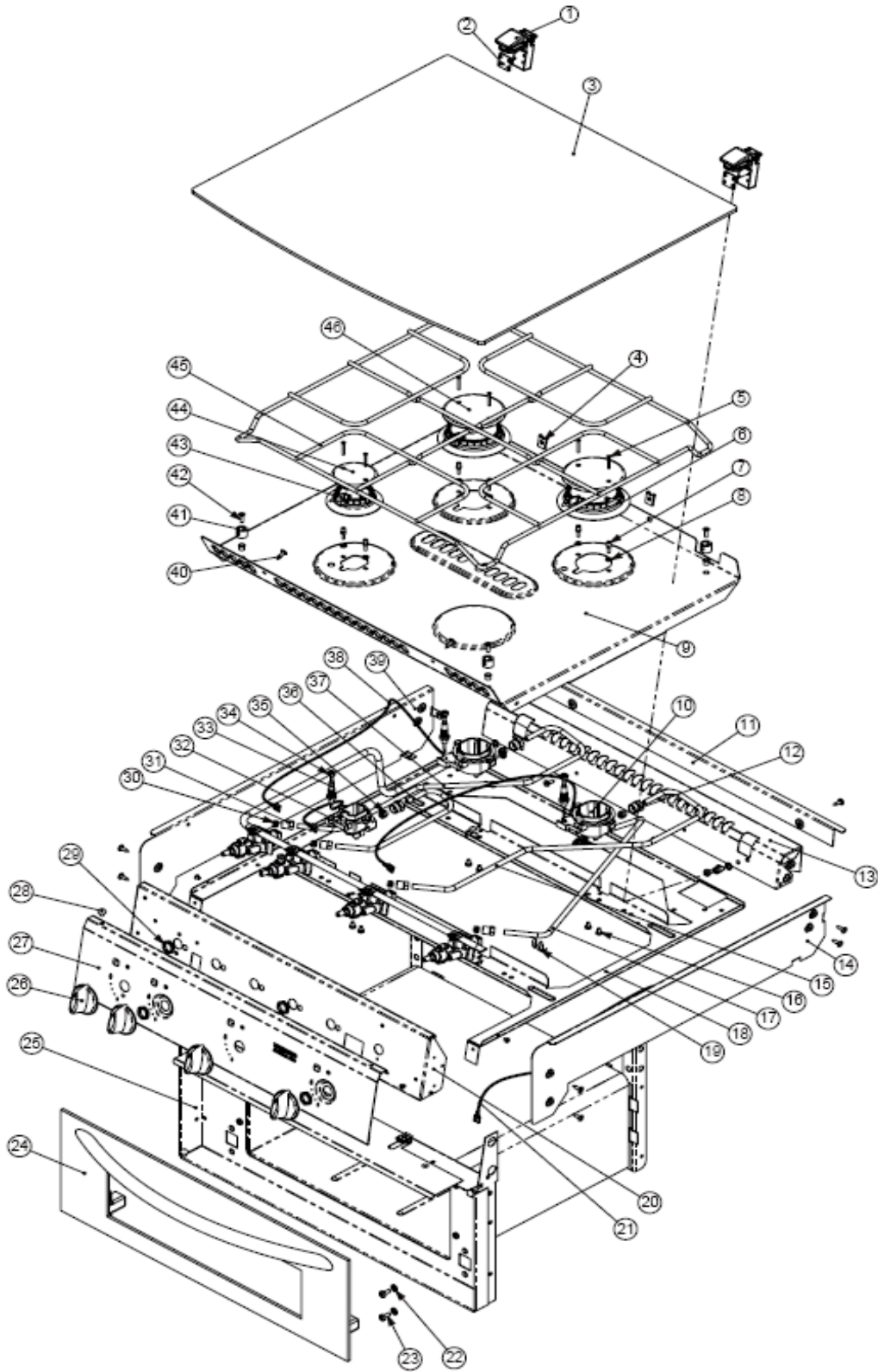


TRIANGULAR BOWL, CONTINENTAL SBL3300

MODELS

DRW No.	PART CODE	DESCRIPTION	3300	3301	3302	3305	3306	3310	3311	3312	PRICES £
1	SPCC2003.BK	Hinge, Glass Lid, 2004 Style	X	X	X	X	X	X	X	X	
3	SPCX0416	Clamping Arm, CR Clamp System, BK	X	X	X	X	X	X	X	X	
4	SPCC1210	Bezel, Black, self adhesive, silicone rubber		X				X	X	X	
4	SPCC1223	Bezel, cut & join, 1523mm, surf. mount.	X			X	X				
4	SPCC1227	Bezel, cut & join, 1550mm, flush-fit, BK			X						
5	SPCX0415	Bush, snap-fit, CR Clamp System, BK	X	X	X	X	X	X	X	X	
6	SPCX0417	Spacing plug, push-fit, BK	X	X	X	X	X	X	X	X	
7	SPCX0116S	Screw, M3x40 Pozi Pan M/Screw	X	X	X	X	X	X	X	X	
8	SPCX0391	Bump Stop, push-fit	X	X	X	X	X	X	X	X	
9	SMCP7600	Press, Tri CR Bowl, L/H, Lid, No TH, BS	X		X		X				
9	SMCP7601	Press, Tri CR Bowl, R/H, Lid, No TH, BS		X		X					
9	SMCP7605	Press, Tri CR Bowl, L/H, Lid, TH33, BK						X		X	
9	SMCP7606	Press, Tri CR Bowl, R/H, Lid, TH33, BK							X		
10	SG945.BK	Glass Lid, CR Tri Bowl L/H - CHQ BK	X		X			X		X	
10	SG947.BK	Glass Lid, CR Tri Bowl R/H - CHQ BK		X					X		
10	SG948.BK	Glass Lid, CR Tri Bowl R/H - BK				X					
10	SG949.BK	Glass Lid, CR Tri Bowl L/H - BK					X				

SHG72000 - MINIGRILL 3bnr EXPLODED DRAWING (GENERIC)



SHG72000 MINIGRILL 3Bnr

MODELS

DRW No.	PART CODE	DESCRIPTION	72780	72785	72920	72980
1	SPCC2003.BK	Hinge, Glass Lid, 2004 style	X	X	X	X
3	SG990.BK	Glass Lid, Mk3 496 BK/GR	X	X	X	X
5	SPCC0815	Screw, fixing, burner cap	X	X	X	X
6	SPCC0812	Flamespreader, S2, SR, skirt	X	X	X	X
7	SPCC0814	Stud, Fixing, burner cup	X	X	X	X
8	SPCX0339	Washer, 4BA, red fibre	X	X	X	X
9	SMCP3873.??	Hob Panel, 496 1/2/0 RHFB	BK	BK	BS	BK
10	SPCC0797	Burner, cup injector, Semi (0.62 Euro 1.5kw)	X	X	X	X
11	SMCP3767.BK	Trim, hob, back 496	X	X	X	X
13	SMCP3769.BK	Trim, rear hob, slimline hinges, 496mm	X	X	X	X
14	SMCO3786.BK	Trim, Hob, RH Side, R12.8 Profile, BK	X	X	X	X
21	SPCC1125	Thermocouple, Grill, faston, 600mm	X	X	X	X
24	SMAO3425.???	Grill Door	FN/SVS3	BK/SVS6	BK/SVS1	SS4
25	SMCO3784.BK	Trim, front, minigrill 496 BK	X	X	X	X
26	SPCC0626.SA	Knob, Control, F/C Satin/Black Lam	X	X	X	X
27	SMCO3726.BK	Bevel, Fascia, Minigrill 496, 1/2/0	X	X	X	X
32	SPCC0798	Burner, cup injector, Aux (0.50 Euro 1.0kw)	X	X	X	X
33	SPCC1130	Thermocouple, S2 burner, Faston, 250mm	X	X	X	X
34	SPCX0163	Locknut, brass coarse thread	X	X	X	X
38	SPCC1132	Thermocouple, S2 burner, Faston, 450mm	X	X	X	X
39	SMCO3787.BK	Trim, Hob, LH Side, R12.8 Profile, BK	X	X	X	X
41	SPCC0647	Clip, Pan Support	X	X	X	X
43	SPCC0824	Flamespreader, S2, Aux, skirt	X	X	X	X
44	SPCC0825	Burner Cap, S2, Aux	X	X	X	X
45	SPCC0688	Support, Pan 4 Mk3 style chrome	X	X	X	X
46	SPCC0813	Burner Cap, S2, SR	X	X	X	X
	SMAC0056	Grill Assembly, 2005, No Hood	X	X	X	X
	◆ SPCX0190	Washer, Starlock 5mm (x2)	X	X	X	X
	SMCO3964.BK	Heat Deflector, fascia, extended	X	X	X	X
	◆ SPCX0175	Washer, red fibre (x2)	X	X	X	X
	◆ SPCX0146	Clip, J-Type, for No6 screw (x2)	X	X	X	X
	◆ SPCX0183	Washer, 8mmx4mmx2.5mm Thk (x2)	X	X	X	X
	◆ SPCX0130.BK	Screw, No6x1/2 pozi	X	X	X	X
	SMAC5643	Tap/Manifold Assy 3BGF, sab rear	X	X	X	X
	◆ SPCC0728	Tap Burner FFD/8mm 0.34 (x3)	X	X	X	X
	◆ SPCC0729	Tap Grill FFD/8mm 0.45	X	X	X	X
	SPCC0775	Jet, No62 (grill)	X	X	X	X
	◆ SPCO0302.BN	Handle, Kensington, Brushed Nickel	X			
	◆ SPCO0308.S	Handle, T-bar 12mm		X		X
	◆ SPCO0307.SA	Handle, Ellipse 390crs			X	
	SPCC1299.DF	Instructions, user All gas & Dual Fuel	X	X	X	X
	SMAC0063	Grill Pan - Large Detach	X	X	X	X
	SPCC1186	Handle, Grill Pan Detachable	X	X	X	X
	SPCC1190	Trivet, grill pan	X	X	X	X

MINI GRILL MKIII 4 BURNER - EXPLODED DRAWING (GENERIC)

